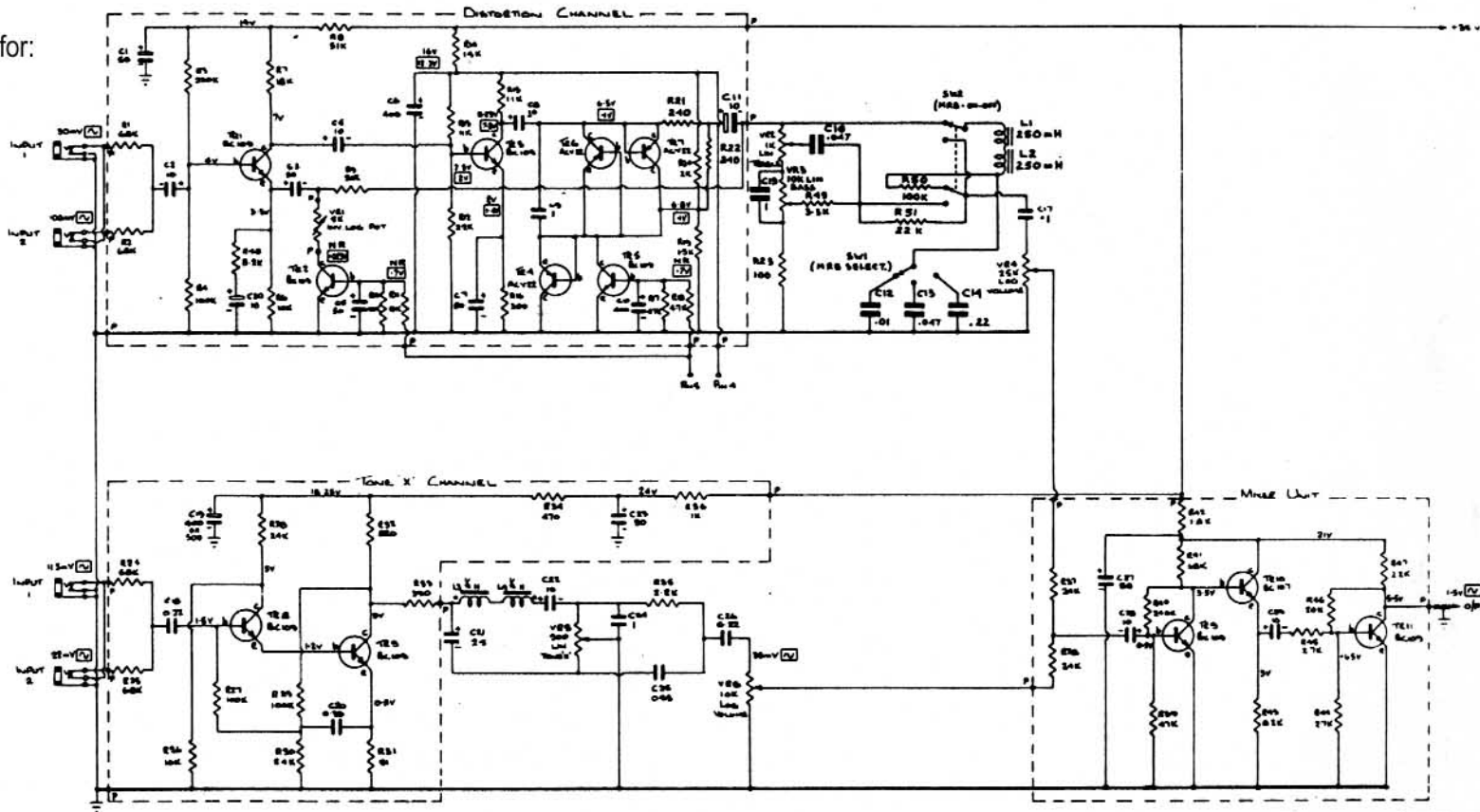


Vox MKIII Bass Pre-amp stage for:
 Dynamic Bass
 Foundation Bass
 Super Foundation Bass



0.0 = 0; VOLTAGE READINGS WITH DISTORTION OFF
 OTHER DC VOLTAGE READINGS WITH DISTORTION OFF?
 NO 3-4-5 VOLTAGE
 NE = NOT READABLE
0.0 = SIGNAL VOLTAGE READINGS FOR FULL OUTPUT
 OF AMPLIFIERS WITH -
 VOLUME CONTROLS @ MAX
 BASS & TREBLE CONTROLS @ MAX. MFB OFF
 TONE-X CONTROL ANTI-CLOCKWISE -
 TEST FREQUENCY = 1Kc/s
 ALL DC VOLTAGE READINGS TAKEN ON AYQ B
 VARIATIONS IN VOLTAGE READINGS DUE TO
 TRANSISTOR SPREAD WILL BE FOUND.

* DENOTES PIN CONNECTIONS ON PC BOARD

TRANSISTOR TYPES AND ALTERNATIVES
 BC122C, BC127 OR 2N434
 BC109, BC103C, BC102 OR BC102
 AC128 OR AC102

FIGS 2, 4, 6, 8, 9, 10, 11, 12, 13, 14, 15, 16, 17, 18, 19, 20, 21, 22, 23, 24, 25, 26, 27, 28, 29, 30, 31, 32, 33, 34, 35, 36, 37, 38, 39, 40, 41, 42, 43, 44, 45, 46, 47, 48, 49, 50, 51, 52, 53, 54, 55, 56, 57, 58, 59, 60, 61, 62, 63, 64, 65, 66, 67, 68, 69, 70, 71, 72, 73, 74, 75, 76, 77, 78, 79, 80, 81, 82, 83, 84, 85, 86, 87, 88, 89, 90, 91, 92, 93, 94, 95, 96, 97, 98, 99, 100
 PINS 2, 4, 6, 8, 9, 10, 11, 12, 13, 14, 15, 16, 17, 18, 19, 20, 21, 22, 23, 24, 25, 26, 27, 28, 29, 30, 31, 32, 33, 34, 35, 36, 37, 38, 39, 40, 41, 42, 43, 44, 45, 46, 47, 48, 49, 50, 51, 52, 53, 54, 55, 56, 57, 58, 59, 60, 61, 62, 63, 64, 65, 66, 67, 68, 69, 70, 71, 72, 73, 74, 75, 76, 77, 78, 79, 80, 81, 82, 83, 84, 85, 86, 87, 88, 89, 90, 91, 92, 93, 94, 95, 96, 97, 98, 99, 100
 NOT USED.

THE DRAWING SPECIFICATION DOCUMENT RELATES TO THE DESIGN OF THE PRODUCT AND IS NOT TO BE USED FOR THE PURPOSES OF THE PRODUCT. IT IS THE RESPONSIBILITY OF THE USER TO ENSURE THAT THE PRODUCT IS USED IN ACCORDANCE WITH THE DRAWING SPECIFICATION DOCUMENT. VOX SOUNDS LTD. IS NOT RESPONSIBLE FOR ANY DAMAGE OR LOSS OF DATA ARISING FROM THE USE OF THIS PRODUCT.

FIG. DYNAMIC BASS POWER STAGE. SEE FIG. NO. 05/123
 - FOUNDATION BASS - - - - - 05/124
 - SUPER FOUNDATION BASS - - - - - 05/125

VOX SOLID STATE AMPLIFIERS
 FIG - AMP - STAGE - BASS - 05/185
 VOX SOUNDS LTD., ERITH, KENT, ENGLAND



FIG. NO. 05/185