

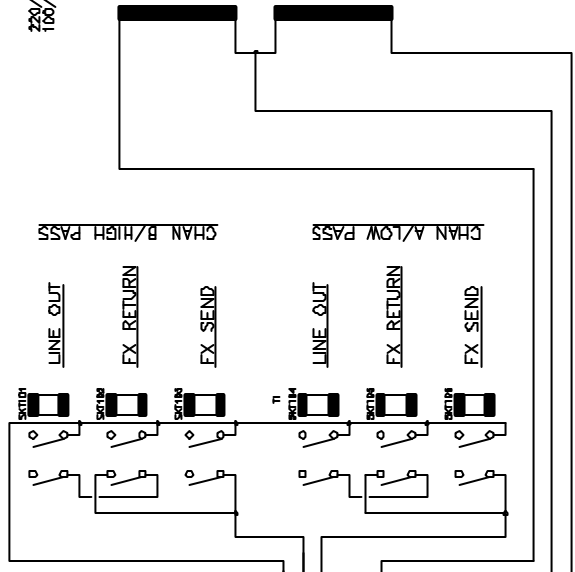
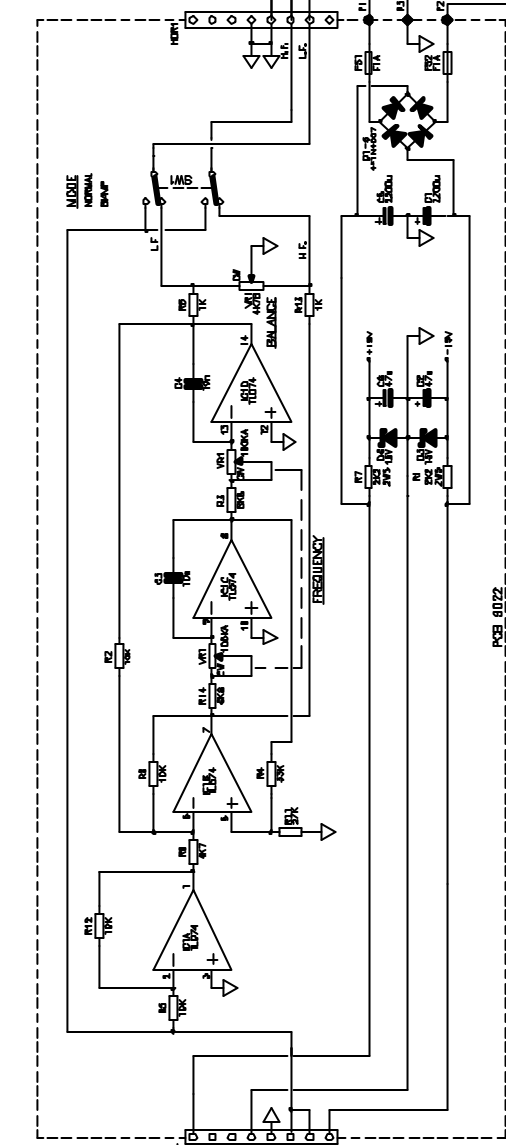
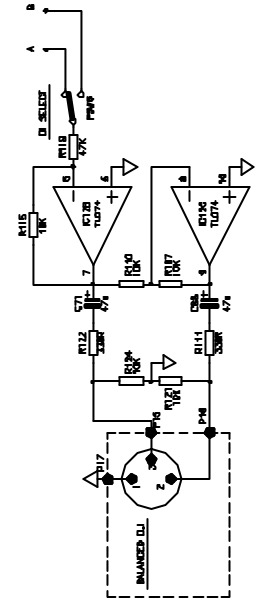
ISSUE	
-------	--

DESCRIPTION	
APPD. DATE	

TITLE	G12P PREAMP CIRCUIT DIAGRAM PART No	
-------	---	--

DRAWN	TRACED	CHECKED	APPROVED DATE
D.E.H			08/04/92

DRAWING No.	2009
-------------	------



MAXIMUM POWER CONSUMPTION 15WATTS 80/60HZ