

TT100H

Service Information

Laney
Classic British Amplification

Newlyn Road, Cradley Heath, West Midlands. B64 6BE
www.laney.co.uk

TT100H

Service Information

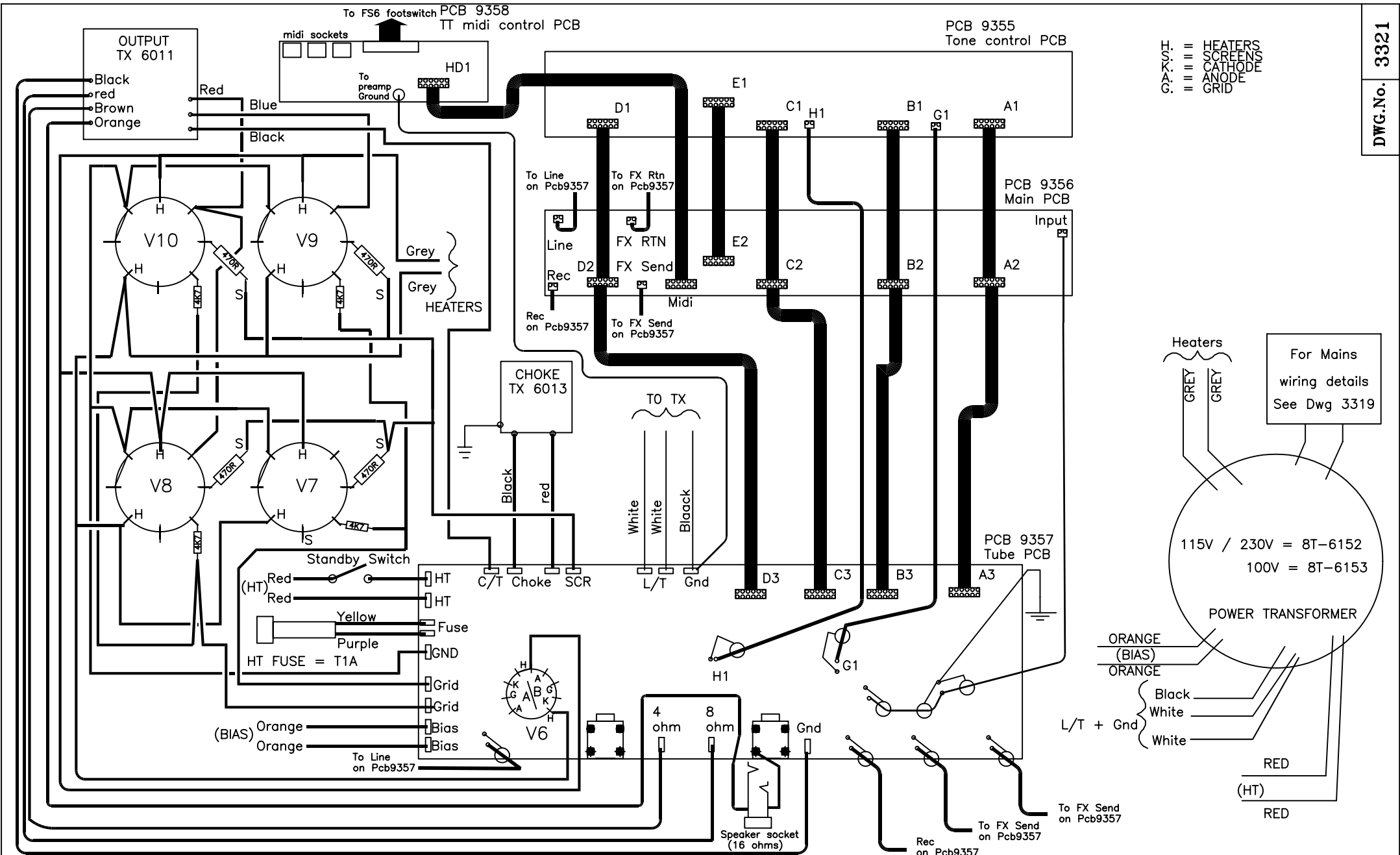
Contents

- 1. Contents**
- 2. TT100H Schematic drawing**
- 3. TT100H Mains wiring**
- 4. Tone Control Pcb - 9355 issue 3**
- 5. Tone Control Pcb - 9355 issue 4**
- 6. Main Preamp Pcb - 9356 issue 3**
- 7. Main preamp Pcb - 9356 issue 4**
- 8. Tube Pcb - 9357 issue 3**
- 9. Tube Pcb - 9357 issue 4**
- 10. TT midi Pcb - 9358 issue 4**

Laney

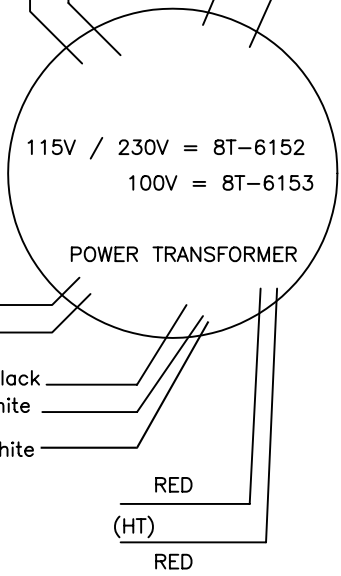
Classic British Amplification

Newlyn Road, Cradley Heath, West Midlands. B64 6BE
www.laney.co.uk



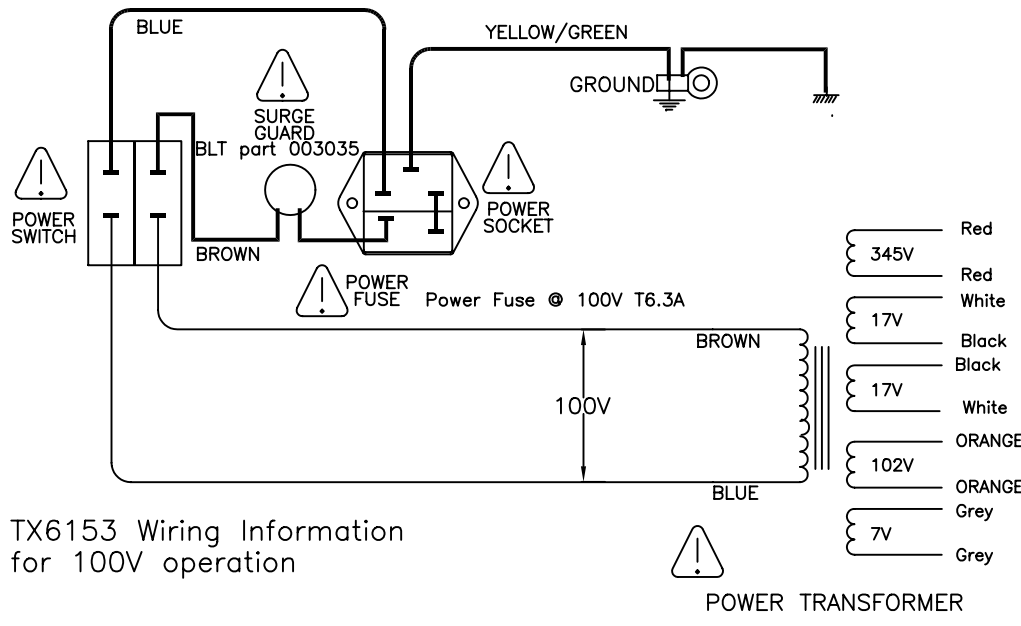
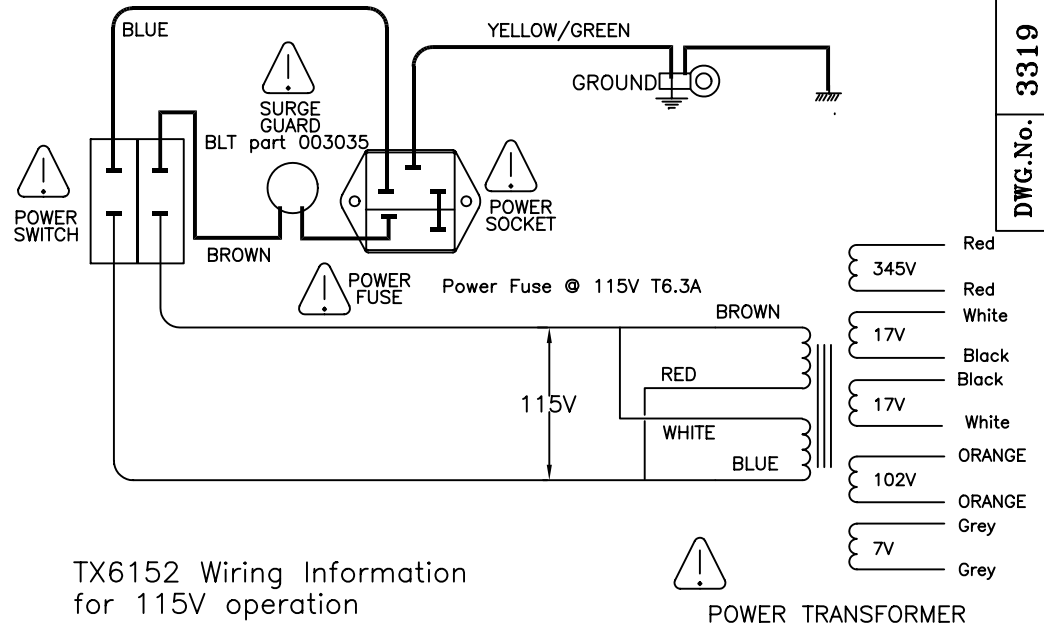
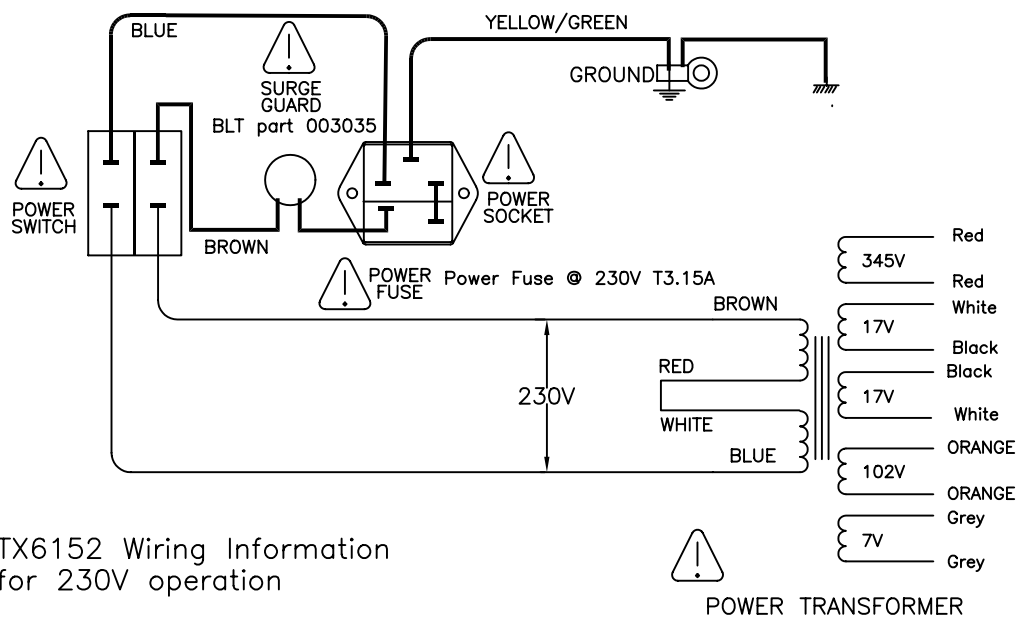
T.O. > HEATERS
 G. > > SCREENS
 > > > CATHODE
 > > > ANODE
 > > > GRID

For Mains
 wiring details
 See Dwg 3319



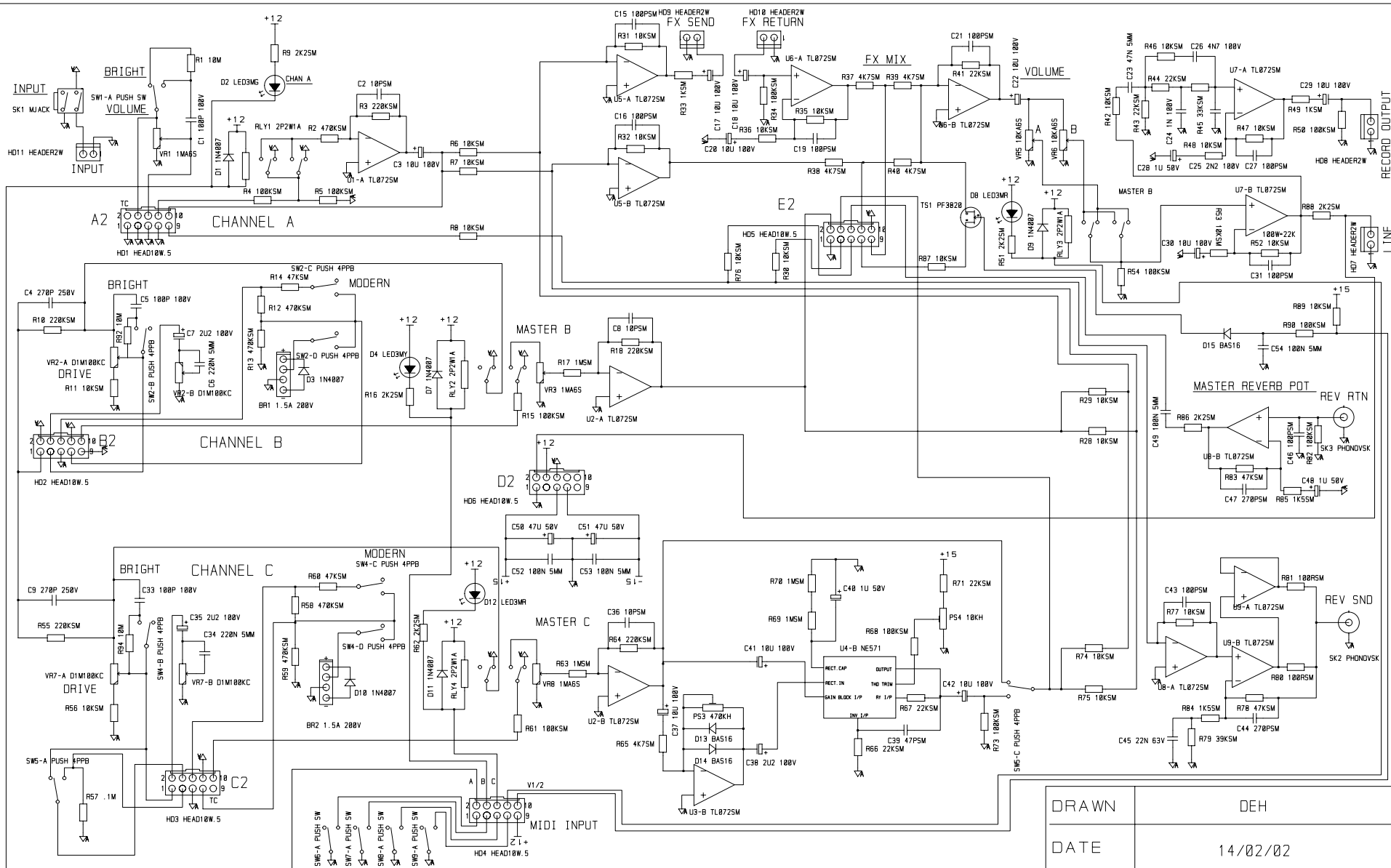
ISSUE	DESCRIPTION	APPD.	DATE	TITLE	DRAWN	TRACED	CHECKED	APPROVED	DATE
				BLT <i>Industries Ltd.</i>	TT100H Schematic Drawing PART No	R.J.F			29/4/2
						DRAWING No.	3321		

DWG.No. 3321



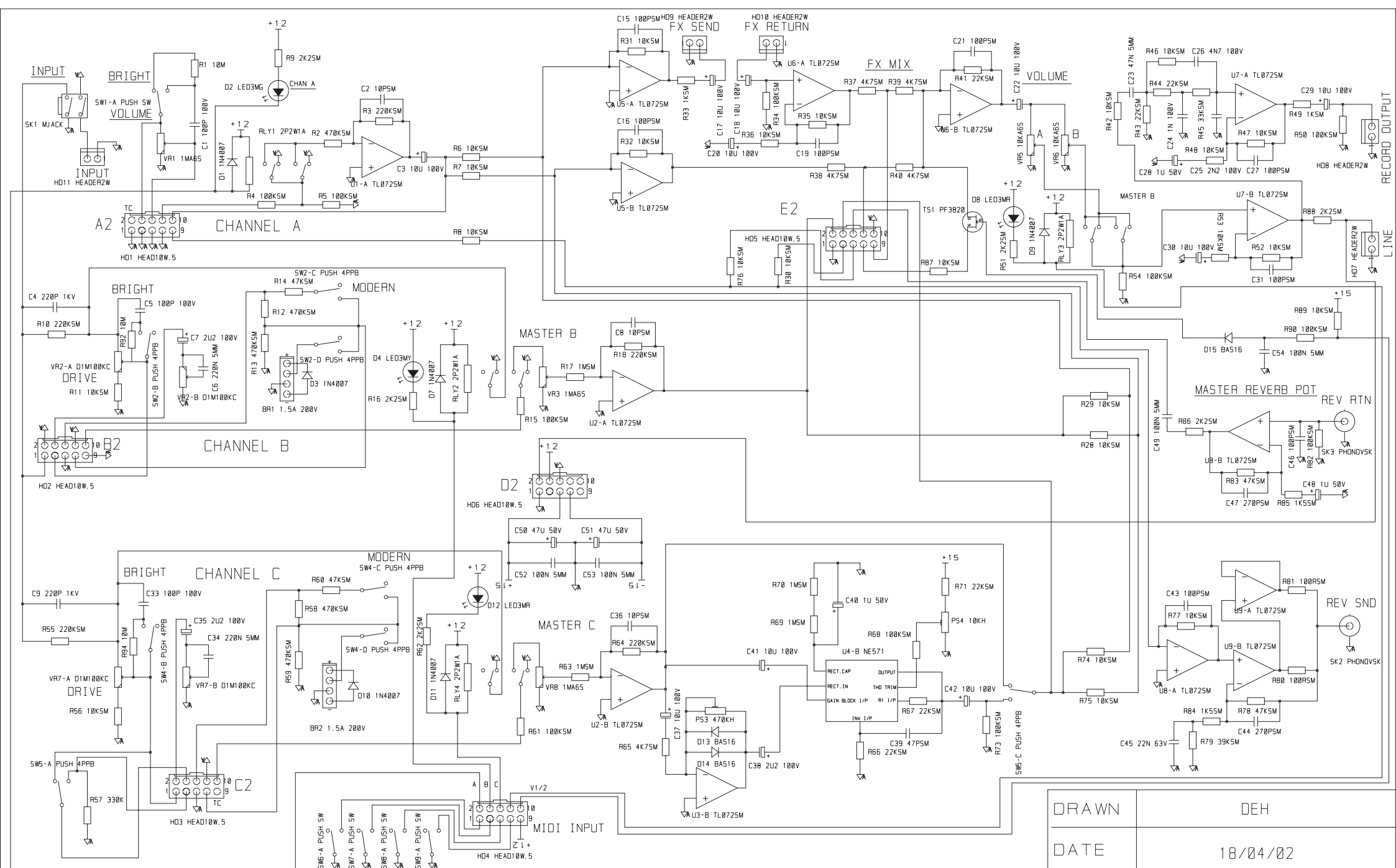
⚠ = ONLY REPLACE WITH SAME TYPE AND RATING

ISSUE	DESCRIPTION	APPD.	DATE	TITLE	DRAWN	TRACED	CHECKED	APPROVED	DATE
				BLT Industries Ltd. MAINS WIRING FOR TT100 combo and TT100H PART No	R.J.F				29/04/02
					DRAWING No.		3319		



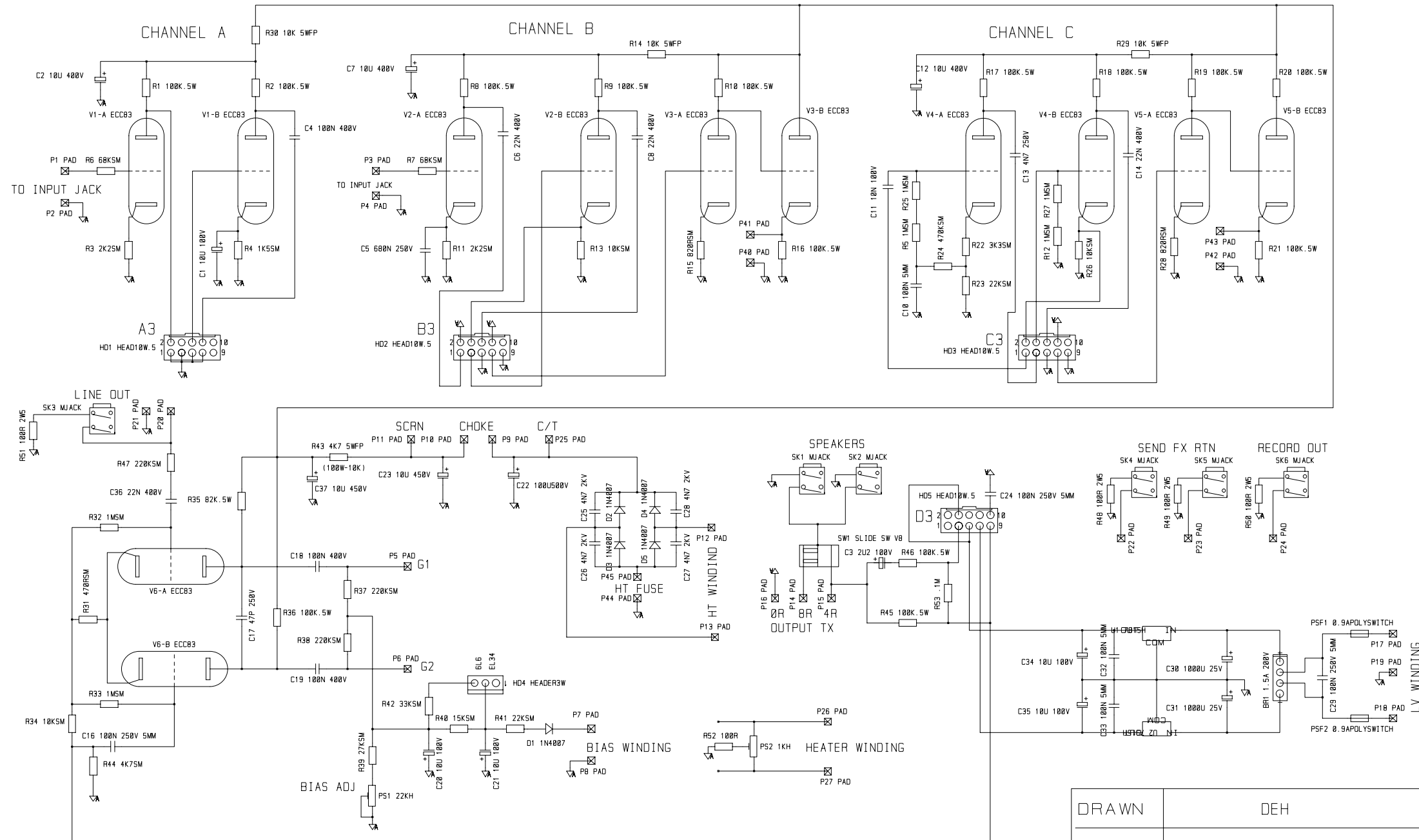
DRAWN	DEH
DATE	14/02/02
TITLE	TT50/100 MAIN PREAMP
DRW. NO.	9356.13

ISSUE	
TYPE	

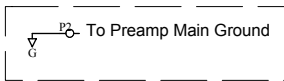
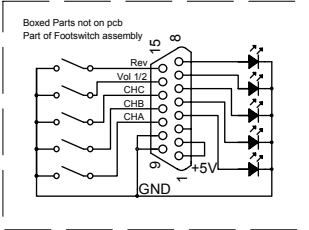
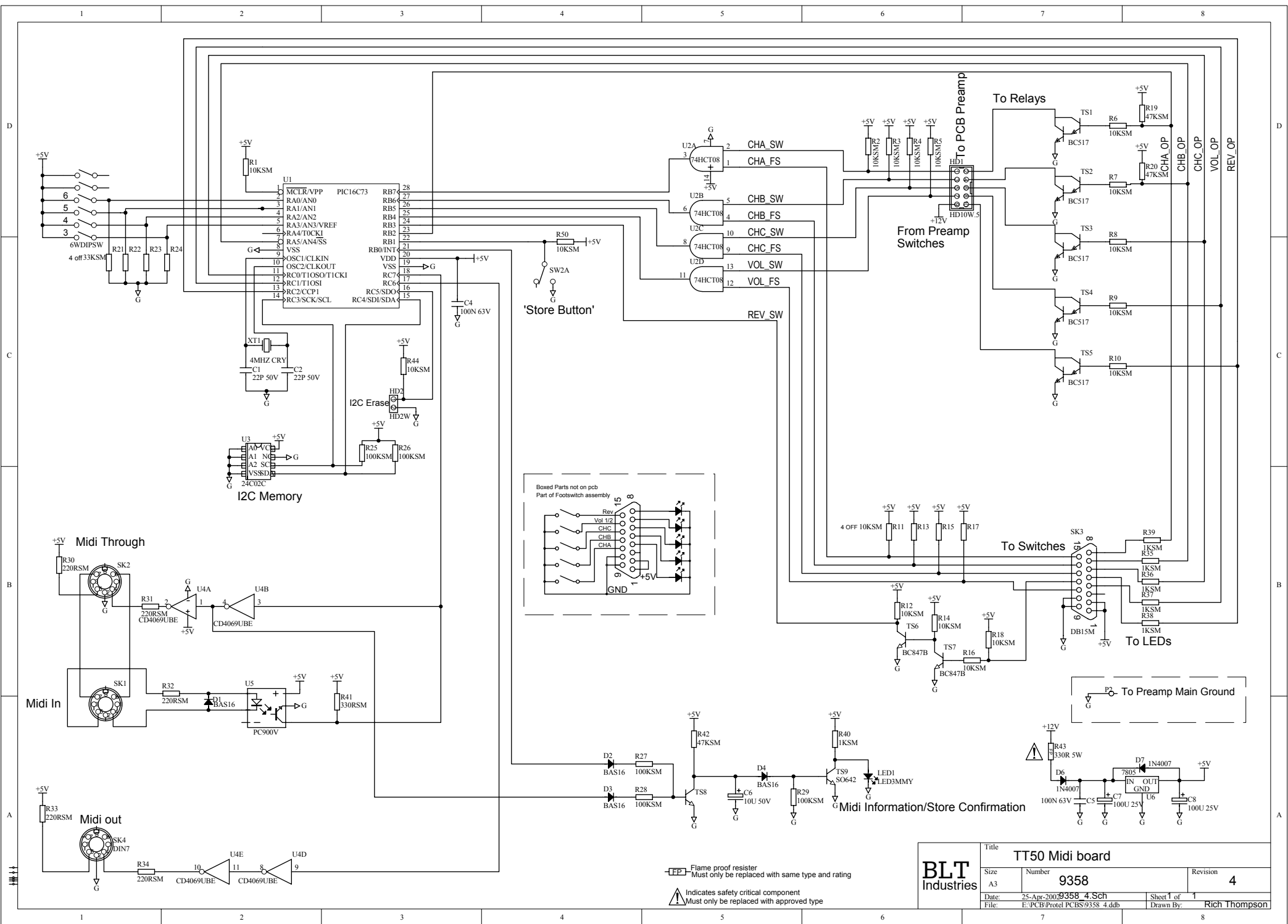


DRAWN	DEH
DATE	18/04/02
TITLE	TT50/100 MAIN PREAMP
DRW. NO.	9356_4

ISSUE	
TYPE	



DRAWN	DEH
DATE	19/04/02
TITLE	TT50 MAIN BOARD
DRW. NO.	9357_4



Flame proof resistor
 Must only be replaced with same type and rating
 Indicates safety critical component
 Must only be replaced with approved type

BLT Industries		Title TT50 Midi board	
Size A3	Number 9358	Revision 4	
Date 25-Apr-2002 9358 4.Sch		Sheet 1 of 1	
File E:\PCB\Protel\PCBS\9358 4.ddb		Drawn By: Rich Thompson	