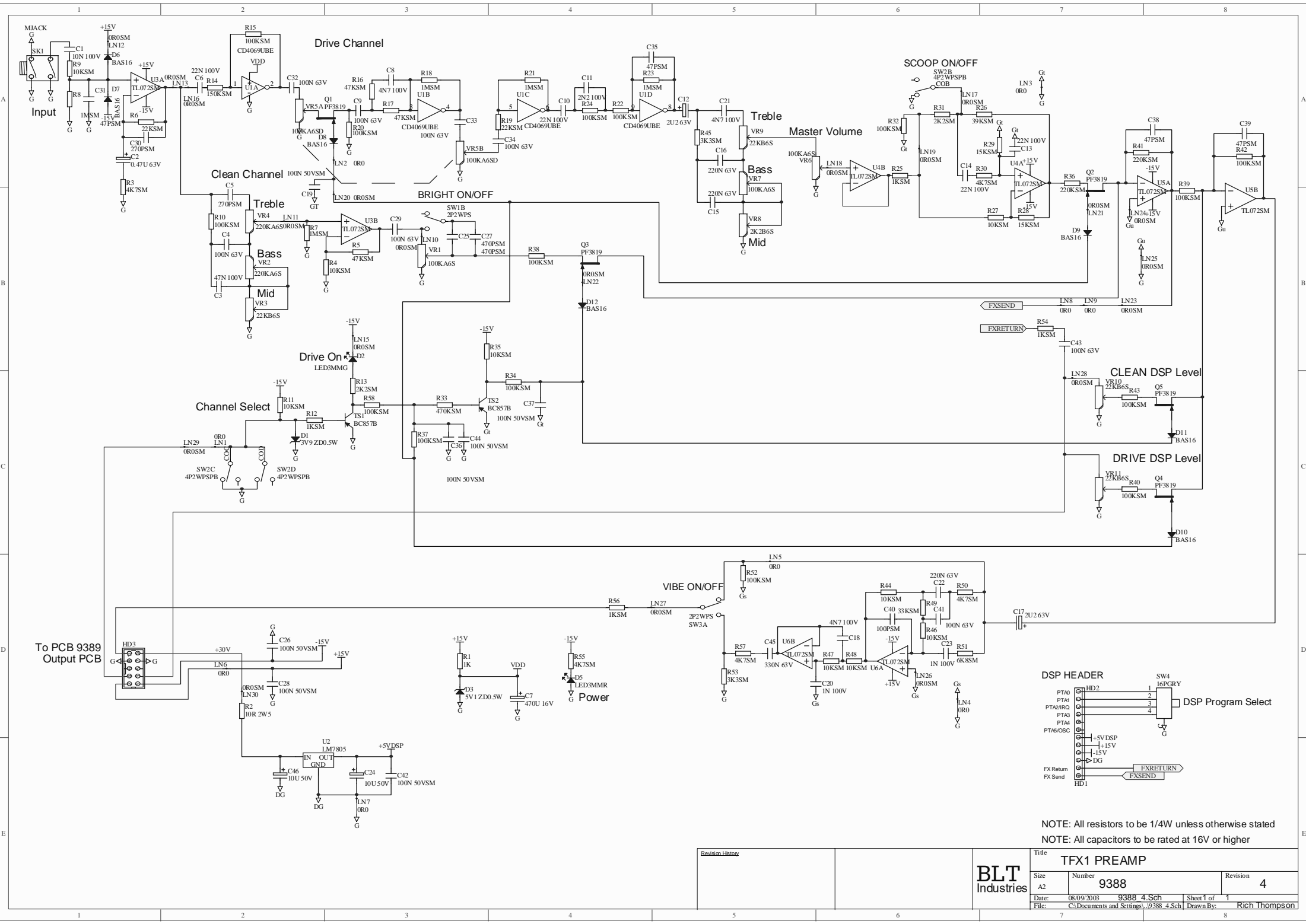


# **TFX1**

## ***Service Information***

**Laney**  
*Classic British Amplification*

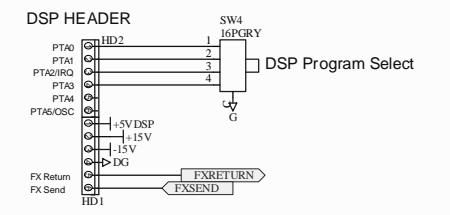
**Newlyn Road, Cradley Heath, West Midlands. B64 6BE**  
**[www.laney.co.uk](http://www.laney.co.uk)**



NOTE: All resistors to be 1/4W unless otherwise stated  
 NOTE: All capacitors to be rated at 16V or higher

Revision History		Title	
		TFX1 PREAMP	
Size	Number	Revision	4
A2	9388		
Date:	08/09/2003	9388 4.Sch	Sheet 1 of 1
File:	C:\Documents and Settings\j9388_4.Sch	Drawn By:	Rich Thompson

**BLT Industries**





TFX1E	TFX1 50W GUITAR AMPLIFIER EURO/UK	Quantity
-007977	TFX1 CHASSIS ASSY 230V	1.0000
-005005	NEW TYPE MAINS SOCKET-UL	1.0000
-005511	5MM SOLDER TAG	2.0000
-005114	R1/2/3 - IDC CABLE ASSY DWG NO 3372	1.0000
-005530	20mm T1A FUSE	1.0000
-005558	100mm TIE WRAP	5.0000
-005665/CP	12mm KNOB C/P	12.0000
-006111	50W 230V MAINS TRANSFORMER	1.0000
-007976	DSP MODULE	1.0000
-007983	9388 TFX1 PREAMP ASSY	1.0000
-001003	1K .25W RESISTOR	1.0000
-001300	ORO SHORTING LINK	21.0000
-001305	2K2 5% RESISTOR	2.0000
-001306	10K 5% RESISTOR	7.0000
-001309	1M 5% RESISTOR	4.0000
-001310	100K 5% RESISTOR	14.0000
-001312	4K7 5% RESISTOR	4.0000
-001315	47K 5% RESISTOR	2.0000
-001316	22K 5% RESISTOR	2.0000
-001317	39K 5% RESISTOR	1.0000
-001318	6K8 5% RESISTOR	1.0000
-001319	15K 5% RESISTOR	4.0000
-001326	3K3 5% RESISTOR	2.0000
-001327	1K 5% RESISTOR	1.0000
-001330	220K 5% RESISTOR	3.0000
-001331	33K 5% RESISTOR	2.0000
-001334	150K 5% RESISTOR	1.0000
-001336	470K 5% RESISTOR SMD 1206	1.0000
-001706	330R 5W RESISTOR	1.0000
-001920	ZERO OHM RESISTOR	9.0000
-002013	10UF 50V CAPACITOR	1.0000
-002020	470UF 16V RADIAL	1.0000
-002024	2.2UF 63V RADIAL	2.0000
-002037	220N 5MM BOX POLY CAPACITOR 63V	4.0000
-002038	330N 5MM BOX POLY CAPACITOR 63V	2.0000
-002414	1NF 100V 5mm	2.0000
-002415	2.2NF 100V 5mm	1.0000
-002416	3.3NF 50V 5mm	2.0000
-002417	4.7NF 100V 5mm	1.0000
-002419	100NF 63V 5mm	1.0000
-002420	22NF 100V 5mm	5.0000
-002421	10NF 100V 5mm	2.0000
-002602	47PF 50V 10% COG	4.0000
-002603	100PF 50V 10% COG	1.0000
-002604	270PF 50V 10% COG	1.0000
-002605	470PF 50V 10% COG	2.0000
-002831	100N 50V CERAMIC CAPACITOR 0805	11.0000
-003007	3V9 .5W ZENER DIODE	1.0000
-003011	5V1 .5W ZENER DIODE	1.0000
-003014	15V 1.3W ZENER	1.0000
-003022	3mm GREEN LED	1.0000
-003033	3mm LED RED	1.0000
-003500	BAS16 DIODE	7.0000
-003504	BC857B TRANSISTOR	2.0000
-003507	TMP3819 (MMBFJ112-SOT23) N CHANNEL J-FET	5.0000
-003508	34072 IC (SMD TL072)	4.0000
-003905	7805 IC	1.0000
-003910	CD4069UBE IC	1.0000
-004061	6mm 22K LIN POT	4.0000
-004062	6mm 100K LOG POT	4.0000
-004063	6mm 2K2 LIN POT	2.0000
-004073	6mm 100K/100K LOG	1.0000
-005002	MONO JACK SOCKET	1.0000
-005017	2P 2W PUSH SWITCH	2.0000
-005036	6 WAY LOCKING HEADER	2.0000
-005079	IDC PCB PLUG 10-WAY	1.0000
-005089	SWITCH CAP OVAL+WINDOW	1.0000
-005131	16 POSITION GRAY CODE ROTARY SWITCH	1.0000
-005300	PIGGY BACK PUSH SWITCH	1.0000
-005503	7.5mm ROUND BLACK BUTTON	3.0000
-009388	TFX1 PREAMP PCB ISSUE 3	1.0000
-007984	9389 TFX1 OUTPUT PCB ASSY	1.0000
-001003	1K .25W RESISTOR	2.0000
-001006	4K7 .25W RESISTOR	1.0000
-001010	47K .25W RESISTOR	1.0000
-001013	22K .25W RESISTOR	1.0000
-001014	10K .25W RESISTOR	3.0000
-001017	47R .25W RESISTOR	2.0000

-001021	100R .25W RESISTOR	1.0000
-001200	470R .5W RESISTOR	1.0000
-001500	10R 2.5W RESISTOR	1.0000
-001505	R47 4W WIRE WOUND	1.0000
-001710	560R 5W RESISTOR	2.0000
-001920	ZERO OHM RESISTOR	5.0000
-002004	47UF 50V RADIAL	3.0000
-002014	100UF 35V RADIAL	1.0000
-002025	1UF 63V RADIAL	1.0000
-002027	4.7UF 63V RADIAL	1.0000
-002043	22uf 50V ELECTROLYTIC CAP	1.0000
-002044	3300uf 50V ELECTROLYTIC	2.0000
-002402	220NF 250V 15MM DIPPED POLYESTER	1.0000
-002419	100NF 63V 5mm	3.0000
-002421	10NF 100V 5mm	1.0000
-002425	47NF 100V 5mm	1.0000
-002814	470PF 250V CERAMIC	1.0000
-003000	1N4007 DIODE	1.0000
-003006	1N4148 DIODE	1.0000
-003014	15V 1.3W ZENER	2.0000
-003014	15V 1.3W ZENER	1.0000
-003016	6A 200V BRIDGE RECTIFIER	1.0000
-003401	TDA7294 100W AUDIO AMPLIFIER	1.0000
-005079	IDC PCB PLUG 10-WAY	2.0000
-005097	MONO JACK SOCKET-HORIZONTAL STANDOFF TYPE	2.0000
-005098	STEREO JACK SOCKET-HORIZONTAL STANDOFF TYPE	2.0000
-005132	GOLD PLATED MONO JACK SOCKET-HORIZ STANDOFF	1.0000
-005135	65MM HEATSINK FINNED EXTRUSION	1.0000
-005686	4.8MM TERMINAL SPADE	5.0000
-009389	TFX1/TFX2 OUTPUT PCB ISSUE 3	1.0000
-008322	LABEL VOLTAGE SELECTOR BLANK	1.0000
-009161	4mm INT. SHAKEPROOF	2.0000
-009171	M5 INT SHAKEPROOF WASHER	2.0000
-009173	5*12mm PAN POZI ZINC	1.0000
-009175	M6 HEX NUT ZINC ONLY	1.0000
-009181	5mm BRASS HEX NUT	1.0000
-009190	6 WAY END CONNECTOR	4.0000
-009214	6*50mm CUP SQUARE BOLT BZP	1.0000
-530027	DPST EQ MAINS SWITCH	1.0000
-540038	EARTH WARNING LABEL	1.0000
-541004	HC25/50 4.8 FASTON	5.0000
-584062	6MM FLAT TX WASHER ZINC	1.0000
-584063	6mm SPLIT WASHER	1.0000
-588006	POP RIVET (BLACK)	2.0000
-8M-8881	TFX1 CHASSIS DWG.3390	1.0000
-8SP-8881	TFX1 SCREEN PRINT	1.0000
-10702	SPECIAL MAINS LEAD	1.0000
-10970	TFX1/TFX2/TFX3 USER MANUAL	1.0000
-20116	TFX1 CABINET	1.0000
-005536	LARGE GRIPPA CLIP	1.0000
-009170	5mm HEX NUT	4.0000
-10039	CORNER PENN P/N.C1839K	6.0000
-10055	PLASTIC CABINET FOOT	4.0000
-10062	BRIGHT SILVER	1.0000
-10063	TUBE FUSION BADGE	1.0000
-10157	PLASTIC STRAP HANDLE H1009/01	1.0000
-10200	M5 x 10mm TEENUT	2.0000
-10202	5MMx25MM CSK POZI SCREW	2.0000
-10211	SPEAKER BOLT	4.0000
-10221	30mm FINISHED NAIL	10.0000
-10224	35mm FINISHED NAIL	12.0000
-10226	STAPLE 71/6	100.0000
-10234	No 8 X 3/4 CSK POZI	12.0000
-10240	10 * 1 CSK POZI	4.0000
-10241	NO.8x1 1/4" FLANGE Z/B	4.0000
-10245	NO4*1/2 CSK POZI Z/B	2.0000
-10249	NO 8*1 1/2 CSK POZI	4.0000
-10260	M5*30 RSD POZI STEEL BLACK	6.0000
-10261	NO.8 "C" TYPE SURFACE CUP WASHER	6.0000
-10301	18mm CHIPBOARD	0.1800
-10302	25mm X 25mm PAR	0.7000
-10308	GREY FRONTFRET	0.2500
-10314	18mm MDF	0.0700
-10328	REPTILE BLACK	0.6000
-10478	TFX1 CARTON	1.0000
-10422	TF100 INSERT 30548	1.0000
-10600	32/18 STAPLE	12.0000
-10621	POLY. BAG 30(0) X 36	1.0000
-10629	MASKING TAPE 1.5"	1.0000
-10897	100mm ETHAFOAM CORNER	6.0000
-10981	GLUE/PAINT COST 1.25	1.0000
-51001	TUBE 10 8 OHM	1.0000
-541004	HC25/50 4.8 FASTON	4.0000