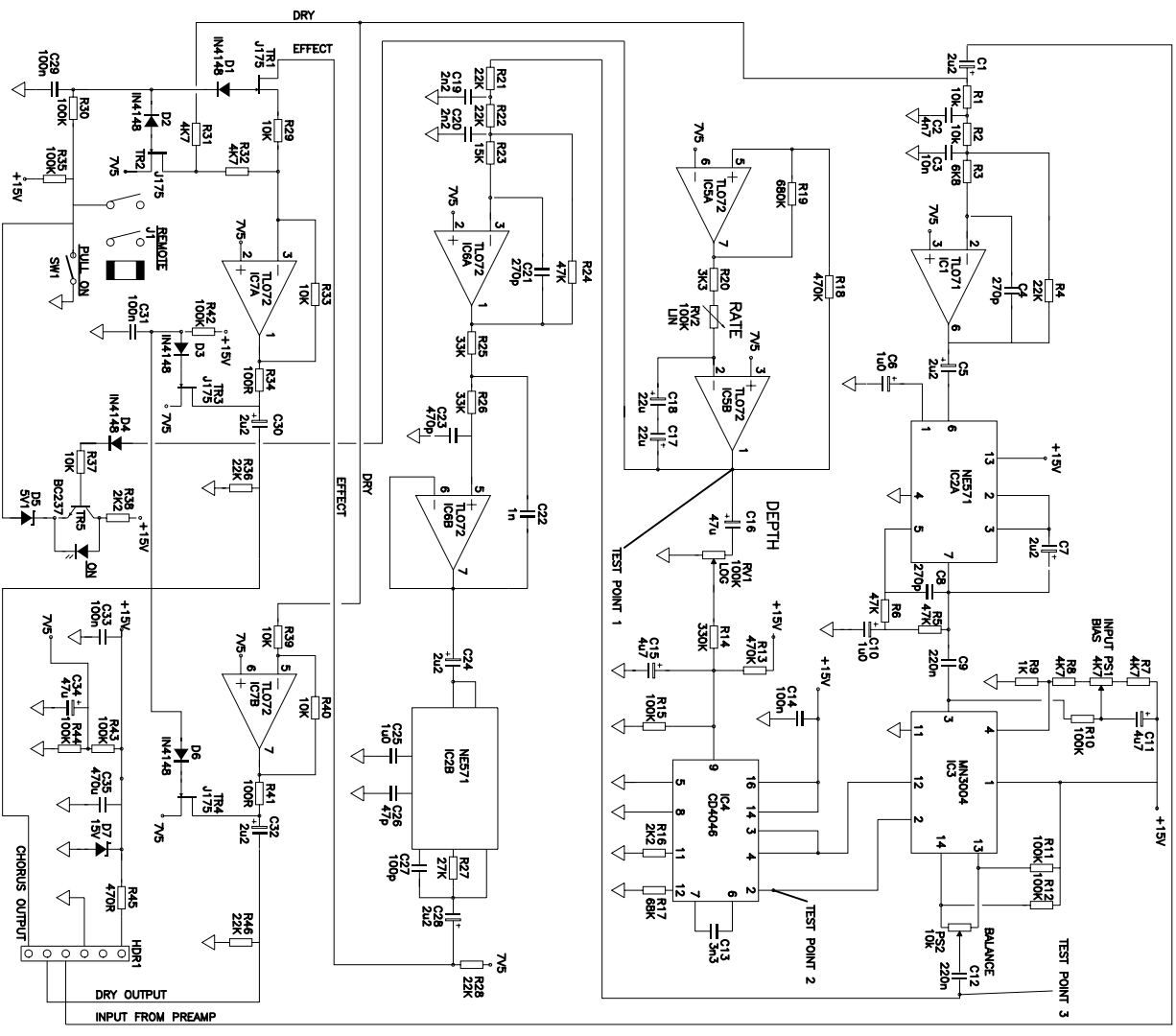


ISSUE	DESCRIPTION	APPD. DATE	TITLE	DRAWN	TRACED	CHECKED	APPROVED	DATE
2	R14 + R15 CHANGED TO 220R	R.J.F. 30/08/91	L50SC CIRCUIT DIAGRAM PART No	D.E.H				18/02/91
								1773

LANEY

SEE
CHORUS MODULE
CIRCUIT
(DWG. 1859)



ISSUE	DESCRIPTION	APPD. DATE	TITLE	DRAWN	TRACED	CHECKED	APPROVED DATE
1	REDESIGNED	R.J.F 06/07/92	CHORUS MODULE CIRCUIT PART No	R.J.F			11/11/92
2	R16 CHANGED TO 2K2 FROM 3K3	R.J.F 23/9/92					

LANEY

1	REDESIGNED	R.J.F 06/07/92	DRAWING No.	1859
---	------------	----------------	-------------	------