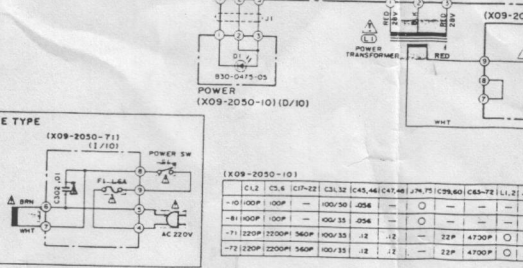
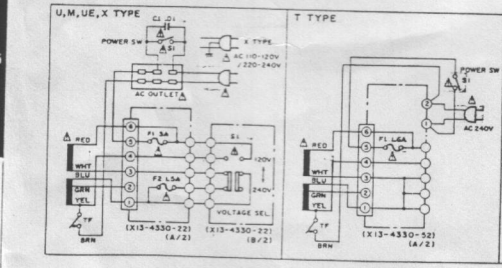
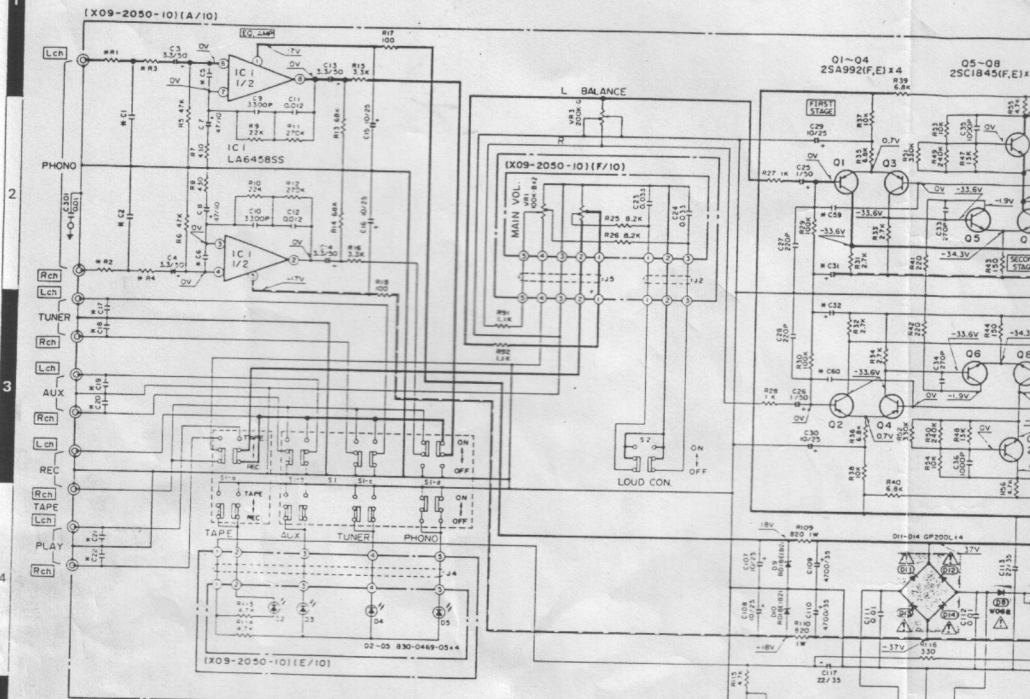


A B C D E



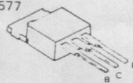
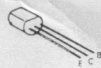
X09-2050-10 I		X09-2050-10 II		X09-2050-10 III		X09-2050-10 IV		X09-2050-10 V	
C12	C15	CPN22	C3,32	C4,5,46	C47	C48	C49	C50	C51
-10	100P	100P	-	100	50	25K	-	-	-
-81	100P	100P	-	100	50	25K	-	-	-
-71	220P	3200P	560P	100	50	32	-	22P	4700P
-72	220P	2200P	560P	100	50	32	-	22P	4700P

**CAUTION:** For continued safety, components only with manufacturer's parts list.  $\Delta$  Indicates safety reduce the risk of electric shock, le

2SA992  
2SA1284  
2SC1845  
SC3244

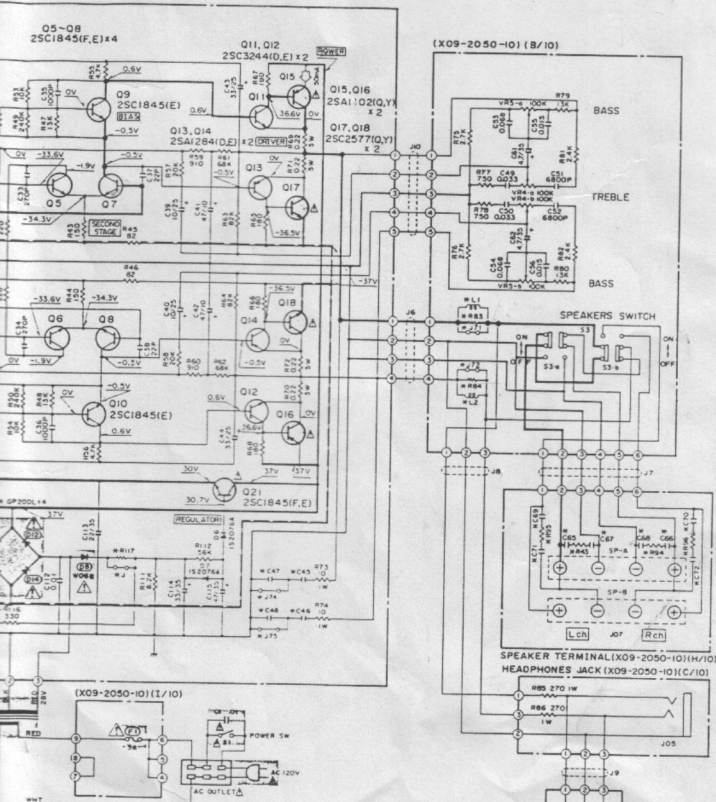
2SA1102  
2SC2577

LA64585S



# INTEGRATED AMPLIFIER

# KA-32/1



Switch	(Position)
S1a Tape Monitor Switch	Reard
S1c Aux Switch	OFF
S1c Tuner Switch	OFF
S1d Phone Switch	ON
S2 Loudness Switch	ON
S3a Speaker A Switch	ON
S3b Speaker B Switch	OFF
S1 Power Switch	OFF

REAR PANEL PHONES  
(X09-2050-10)(E/10)

KA-32 (K)

## SPECIFICATIONS

### Audio Section

Power Output  
35 watts\* per channel minimum RMS, bc  
channels driven, at 8 ohms from 20 Hz  
20,000 Hz with no more than 0.09% tot  
harmonic distortion.

Both Channels Driven	40 W + 40 W 8Ω at 1,000 Hz
Dynamic Power Output at 4 ohms	50 W + 50 W 4Ω at 1,000 Hz
Total Harmonic Distortion	190 W
CDIAUX input to SPEAKER output (20 Hz to 20,000 Hz)	0.09% at rated power into 8 ohms
(20 Hz to 20,000 Hz)	0.04% at 1/2 rated power into 8 ohms
(1 kHz)	0.03% at 1/2 rated power into 8Ω

PHONO input to SPEAKER output (1 kHz)	0.04% at rated power with VOLUME - 20 dB
Intermodulation Distortion	0.02% at rated power into 8 ohms
Damping Factor	20 (1 kHz into 8 ohms)
Power Bandwidth	10 Hz to 75 kHz
Frequency Response	at 0.2% T.H.D. 10 Hz to 100 kHz +0 dB, -3 dB

Speaker Impedance	8Ω to 16Ω
Input Sensitivity/Impedance	Phono 2.5 mV/47 k ohms Tuner, Tape, CDIAUX 150 mV/27 k ohms
Signal-to-Noise Ratio (S/N, A)	Phono 73 dB for 2.5 mV input 79 dB for 5.0 mV input
Tuner, Tape, CDIAUX	100 dB for 150 mV input
Phono Maximum Input Level	150 mV (RMS)
Output Level/Impedance	Phono REC (Pin) 0.05% at 1,000 Hz Tape Frequency Response IIRAA standard curve ±0.5 dB 100 Hz to 20,000 Hz

Tone Control	Bass ±9 dB at 100 Hz Tone ±9 dB at 10 kHz Loudness Control ±9 dB at 100 Hz (at -30 dB VOLUME Level)
--------------	--

General	
Power Requirements	120 V, 60 Hz U.S.A. & Canada models: 240 V, 50 Hz (U.K. model) or 110 - 120 V/220 - 240 V 50/60 Hz, switchable (Other countries)
Power Consumption	120 W U.S.A. & Canada models 280 W (European model) 250 W (U.K. model) 250 W (Australia model) 80 W (Other countries)
AC Outlet	Switched 2 (100 W), Unswitched 1 (200 W)
Dimensions	W 420 mm (16-1/2") H 88 mm (3-1/2") D 279 mm (10-3/4")
Weight	4.9 kg (10.8 lb)

\* Measured pursuant to Federal Trade Commission's Trade Regulation rule on Power Output Claims for Amplifiers in U.S.A.

For continued safety, replace safety critical components with manufacturer's recommended parts (refer to manual). A indicates safety critical components. To avoid electric shock, leakage current or resistance

measurements shall be carried out (exposed parts are acceptably insulated from the supply circuit) before the appliance is returned to the customer.

- DC voltages are as measured with a high impedance voltmeter with no signal input. Values may vary slightly due to variations between individual instruments or/and units.
- Les tensions c.c. doivent être mesurées avec un voltmètre à haute impédance sans signal d'entrée. Les valeurs peuvent différer légèrement du fait des variations inhérentes aux appareils et aux instruments de mesure individuels.

- Die angegebenen Gleichspannungswerte wurden mit einem hochohmigen Voltmeter ohne Eingangssignal gemessen. Dabei schwanken die Meßwerte aufgrund von Unterschieden zwischen einzelnen Instrumenten oder Geräten u.U. geringfügig.

Kanwood follows a policy of continuous advancements in development. For this reason specifications may be changed without notice.

Kanwood poursuit une politique de progrès constants en ce qui concerne le développement. Pour cette raison, les spécifications sont sujettes à modifications sans préavis.

Kanwood strebt ständige Verbesserungen in der Entwicklung an. Daher werden Änderungen der technischen Daten jederzeit vorbehalten.