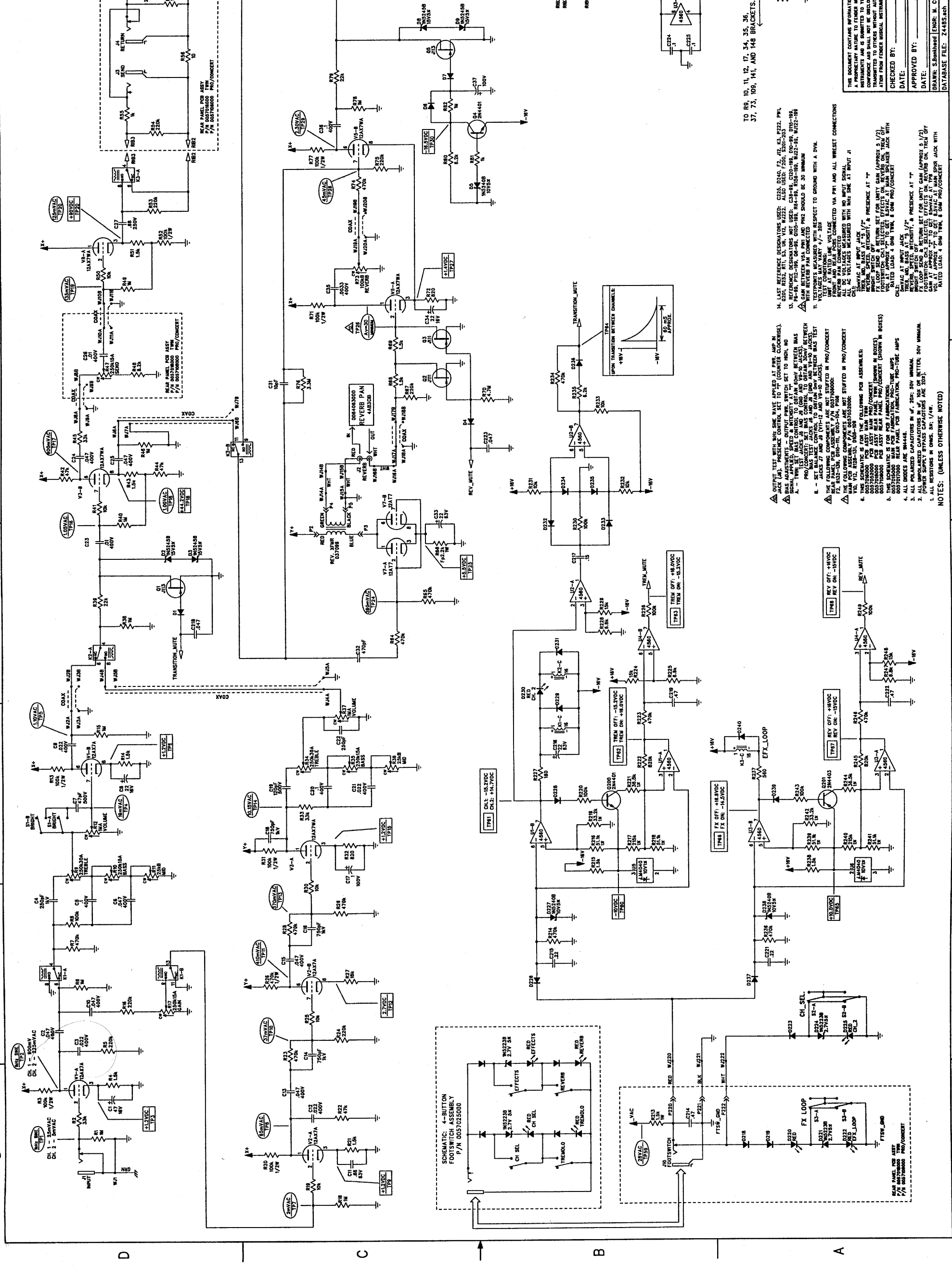


REV.	DESCRIPTION	DATE	APPROVED
A	PR448	16-OCT-00	S.M.B.
B	EC 2606	23-FEB-01	S.M.B.



REV.	DESCRIPTION	DATE	APPROVED
A	PR448	16-OCT-00	S.M.B.
B	EC 2606	23-FEB-01	S.M.B.

MUSICAL INSTRUMENTS
Corona, CA USA

TITLE: SERVICE DIAGRAM, COMBINED (+channel)
PRE-AMP

DATE: 16-OCT-00 | SHEET: 1 OF 4

APPROVED BY: S.M.B.
DRAWN: S.M.B.
CHECKED BY: M.C.

1. ALL DIMENSIONS ARE IN INCHES UNLESS OTHERWISE NOTED.
2. POWER SUPPLY BYPASS CAPACITORS ARE 20µF.
3. ALL PIPES ARE 1/8" DIA. UNLESS OTHERWISE NOTED.
4. ALL DIMENSIONS ARE IN INCHES UNLESS OTHERWISE NOTED.
5. ALL DIMENSIONS ARE IN INCHES UNLESS OTHERWISE NOTED.
6. ALL DIMENSIONS ARE IN INCHES UNLESS OTHERWISE NOTED.
7. ALL DIMENSIONS ARE IN INCHES UNLESS OTHERWISE NOTED.
8. ALL DIMENSIONS ARE IN INCHES UNLESS OTHERWISE NOTED.
9. ALL DIMENSIONS ARE IN INCHES UNLESS OTHERWISE NOTED.
10. ALL DIMENSIONS ARE IN INCHES UNLESS OTHERWISE NOTED.

OUTPUT TEST WITH WIG SHINE WAVE APPLIED AT PWR. AMP IN JACK (A). PRESENCE CONTROL SET TO 0 (COUNTER CLOCKWISE). BIAS ADJUSTMENTS SHOULD BE MADE WITH SET TO 100Ω. NO A - TIME SET BIAS CONTROL TO OBTAIN 50V BETWEEN BIAS PRO/CONCERT SET BIAS CONTROL TO OBTAIN 50V BETWEEN WAS TEST JACKS IN INPUT AND OUTPUT JACKS. TEST VOLTAGES MAY VARY +/- 20%.

1. TEST POINTS MEASURED WITH RESPECT TO GROUND WITH A DVM. VOLTAGES MAY VARY +/- 20%.

2. ALL DIMENSIONS ARE IN INCHES UNLESS OTHERWISE NOTED.

3. ALL DIMENSIONS ARE IN INCHES UNLESS OTHERWISE NOTED.

4. ALL DIMENSIONS ARE IN INCHES UNLESS OTHERWISE NOTED.

5. ALL DIMENSIONS ARE IN INCHES UNLESS OTHERWISE NOTED.

6. ALL DIMENSIONS ARE IN INCHES UNLESS OTHERWISE NOTED.

7. ALL DIMENSIONS ARE IN INCHES UNLESS OTHERWISE NOTED.

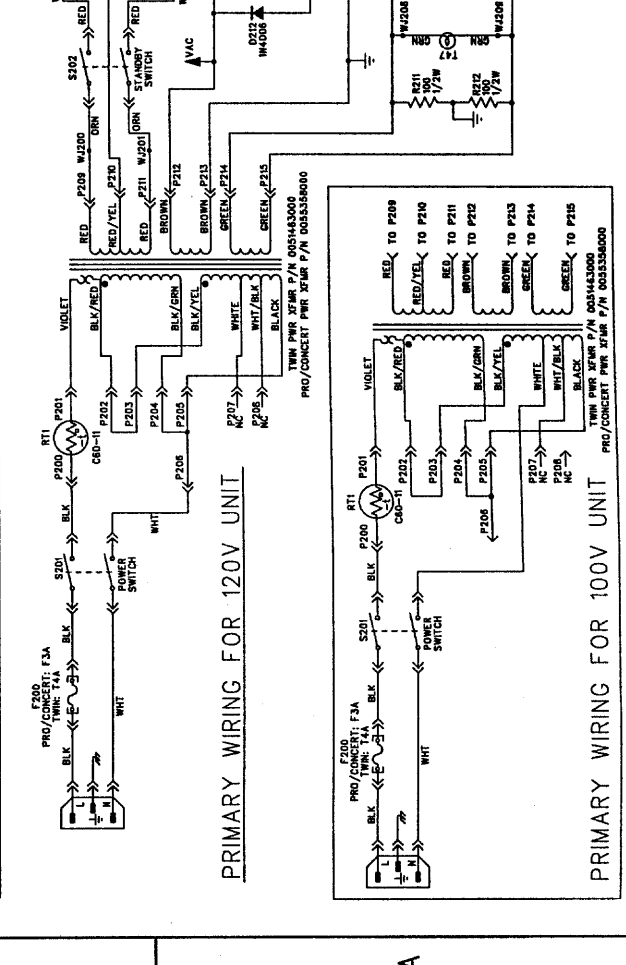
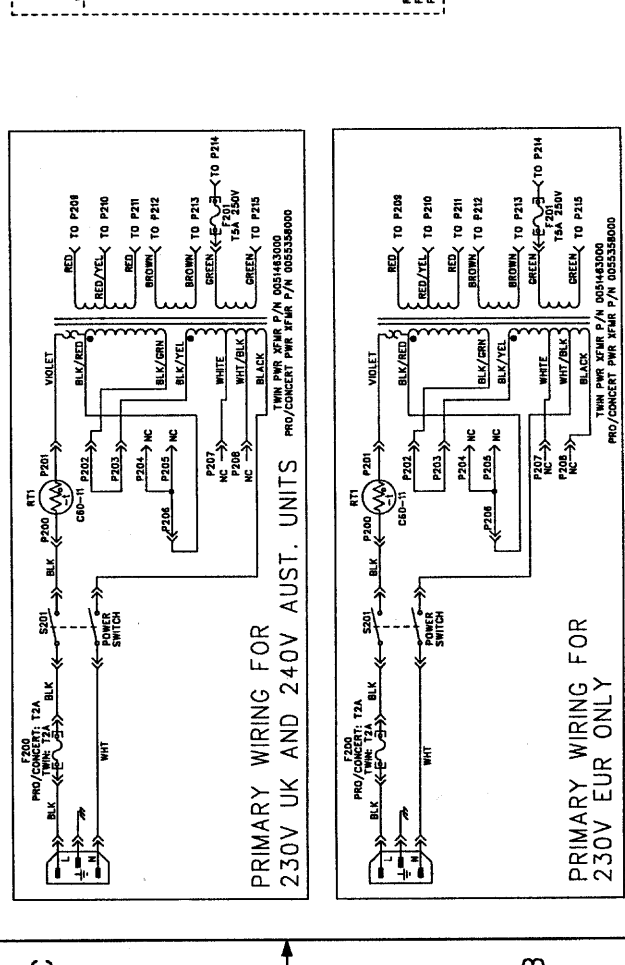
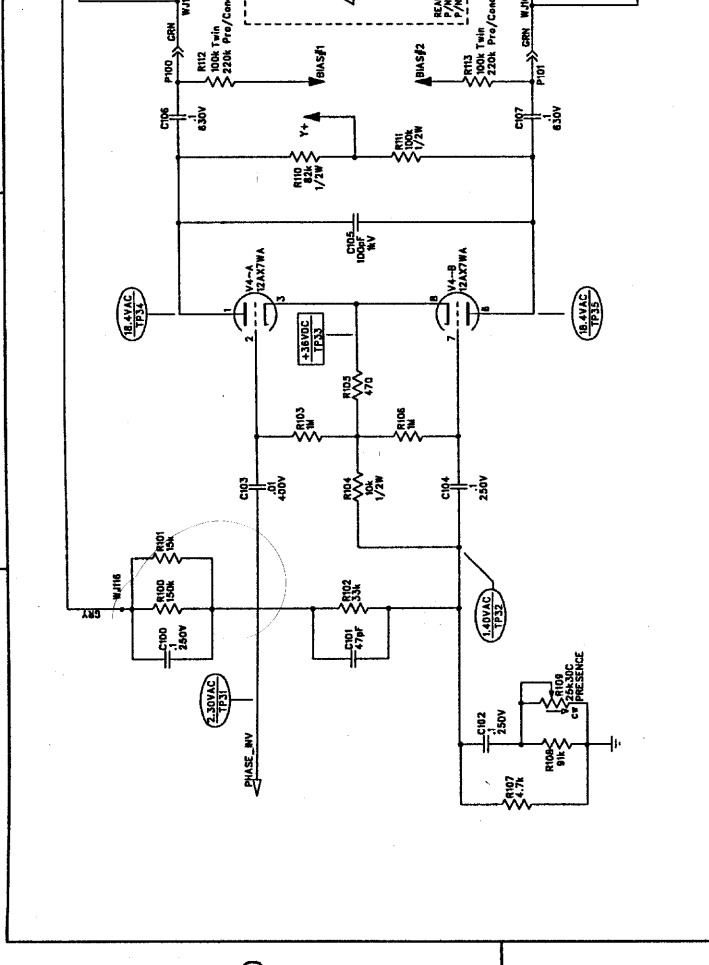
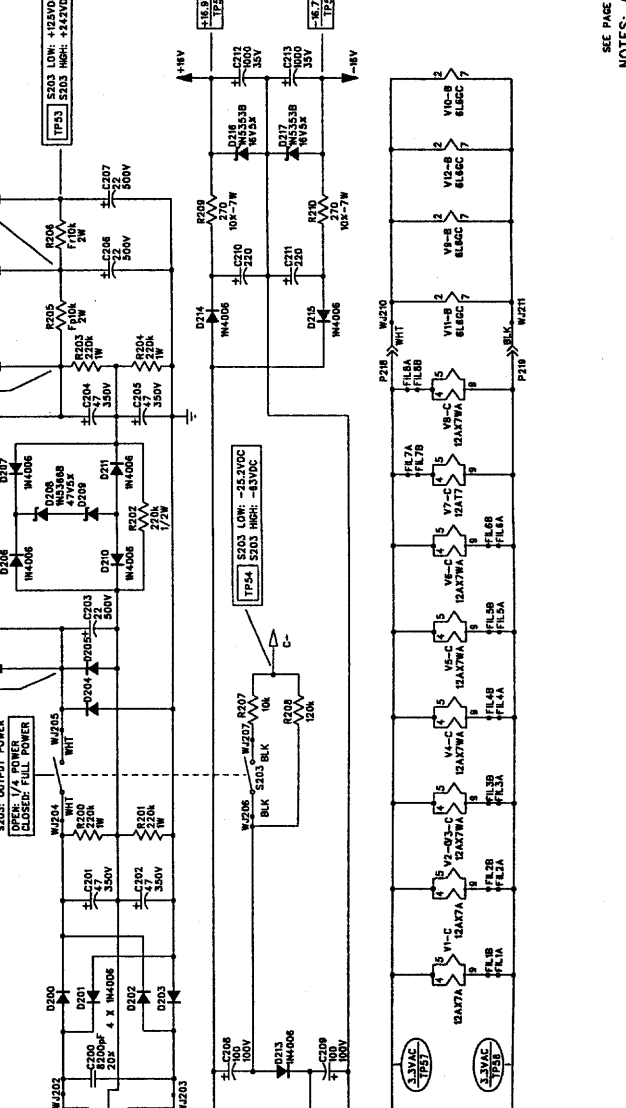
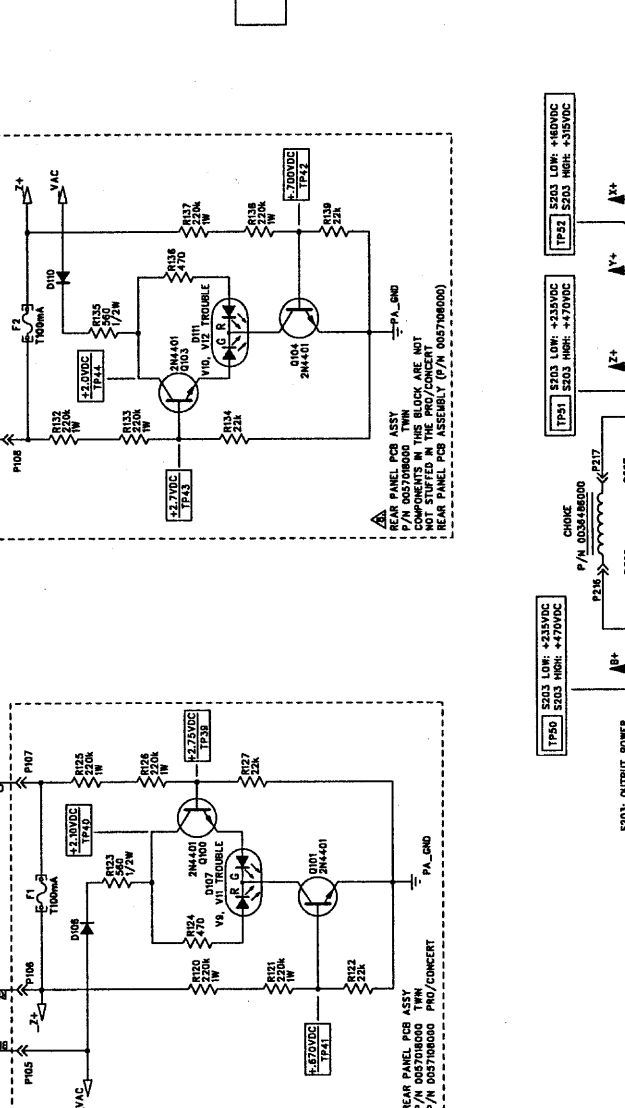
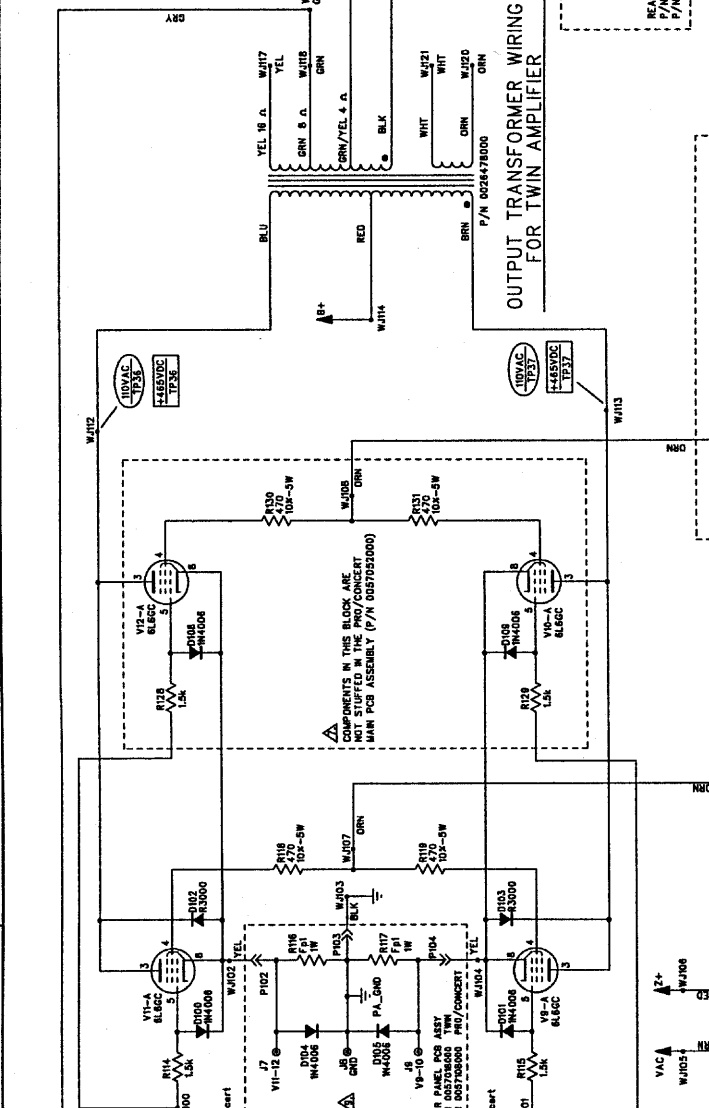
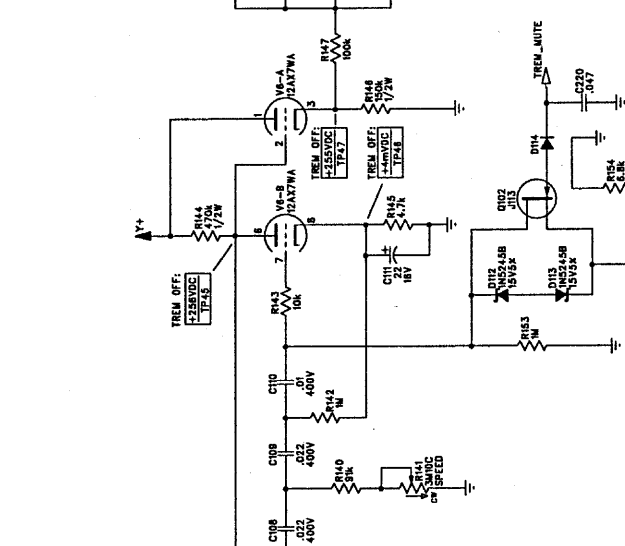
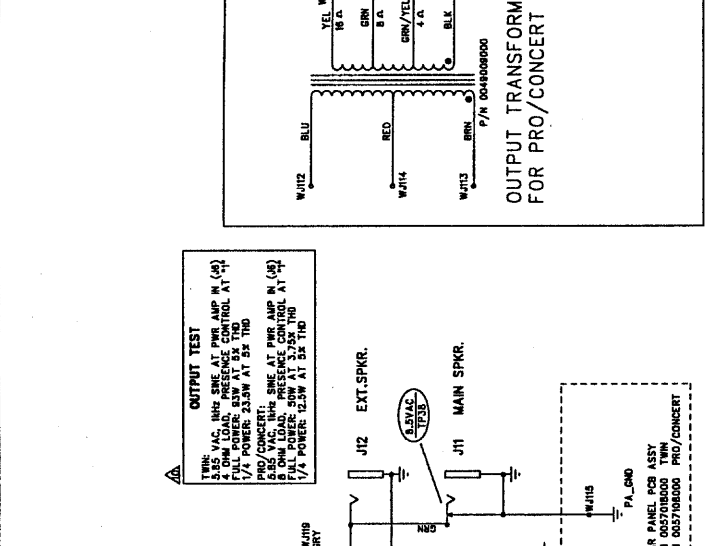
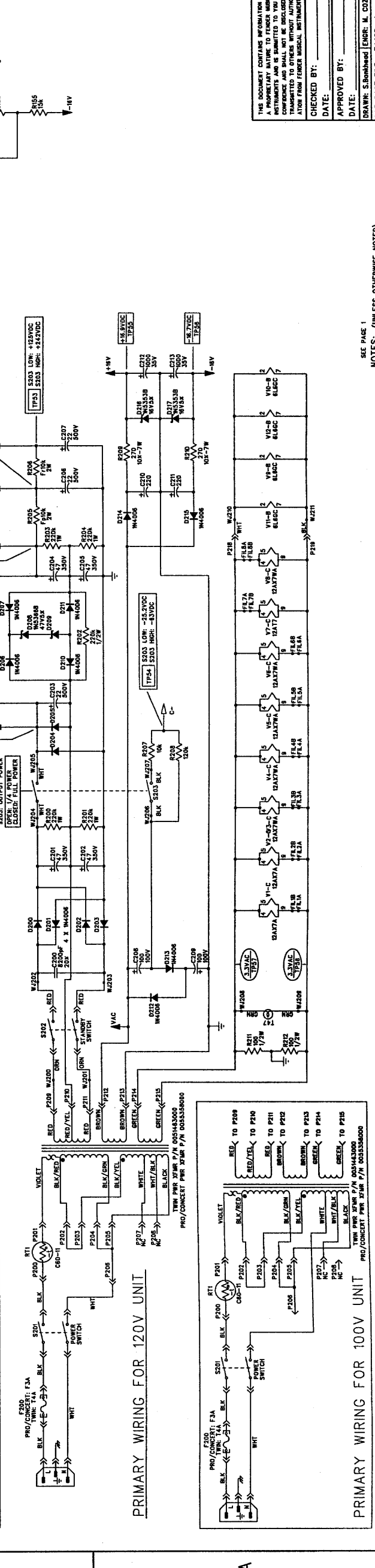
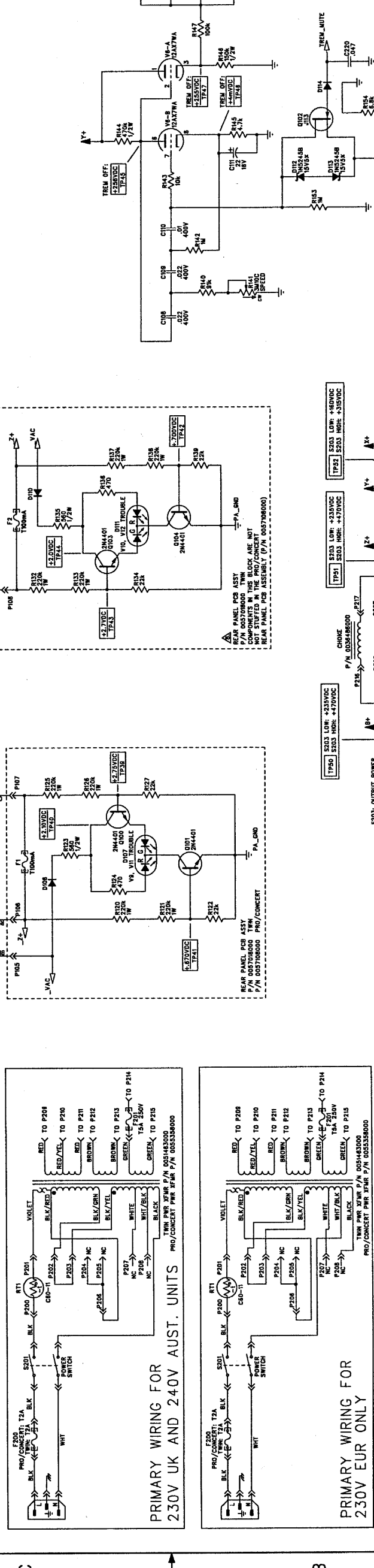
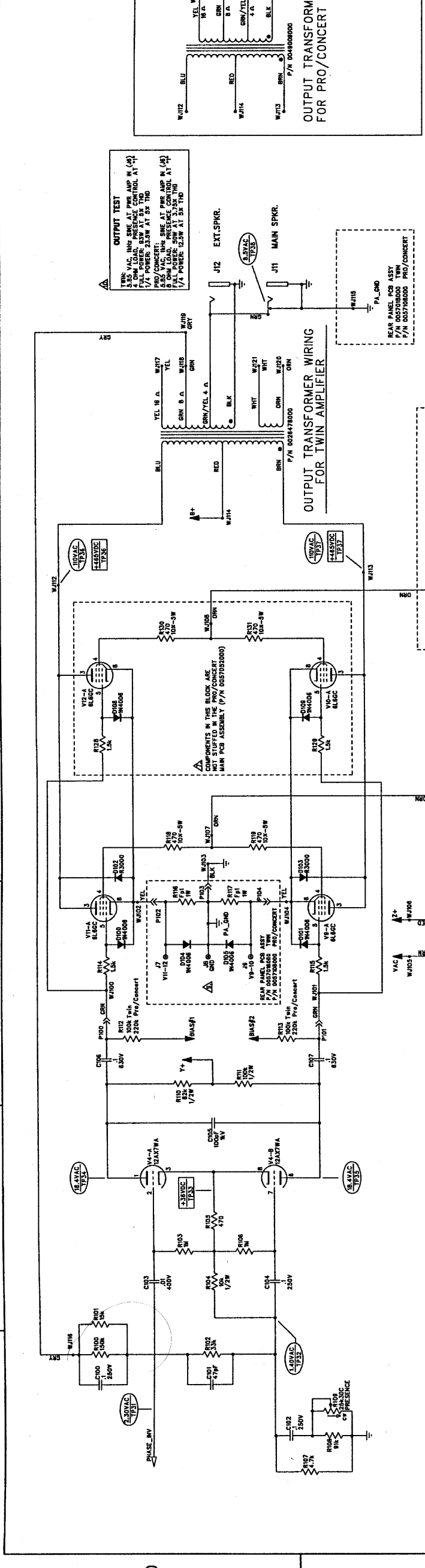
8. ALL DIMENSIONS ARE IN INCHES UNLESS OTHERWISE NOTED.

9. ALL DIMENSIONS ARE IN INCHES UNLESS OTHERWISE NOTED.

10. ALL DIMENSIONS ARE IN INCHES UNLESS OTHERWISE NOTED.

REV.	DESCRIPTION	DATE	APPROVED
A	PR448	16-OCT-00	S.M.B.
B	EC 2606	23-FEB-01	S.M.B.

1 2 3 4 5 6 7 8



THIS DOCUMENT CONTAINS INFORMATION OF A CONFIDENTIAL NATURE AND IS LOANED TO YOU IN CONFIDENCE AND IS NOT TO BE DISCLOSED OR TRANSMITTED TO OTHERS WITHOUT AUTHORIZATION FROM FERRER MUSICAL INSTRUMENTS.

CHECKED BY: _____
DATE: _____

APPROVED BY: _____
DATE: _____

DATEBASE FILE: 24485.rch

REAR PANEL PCB ASSY P/N 005708000 PRO/CONCERT

REAR PANEL PCB ASSY P/N 005708000 PRO/CONCERT

REAR PANEL PCB ASSY P/N 005708000 PRO/CONCERT

REAR PANEL PCB ASSY P/N 005708000 PRO/CONCERT

Ferrero MUSICAL INSTRUMENTS
Corona, CA USA

TITLE: SERVICE DIAGRAM, COMBINED (continued)
PRO-TUBE AMPS
POWER AMP

SIZE: DRAWING NUMBER
D 005701400

REV. B

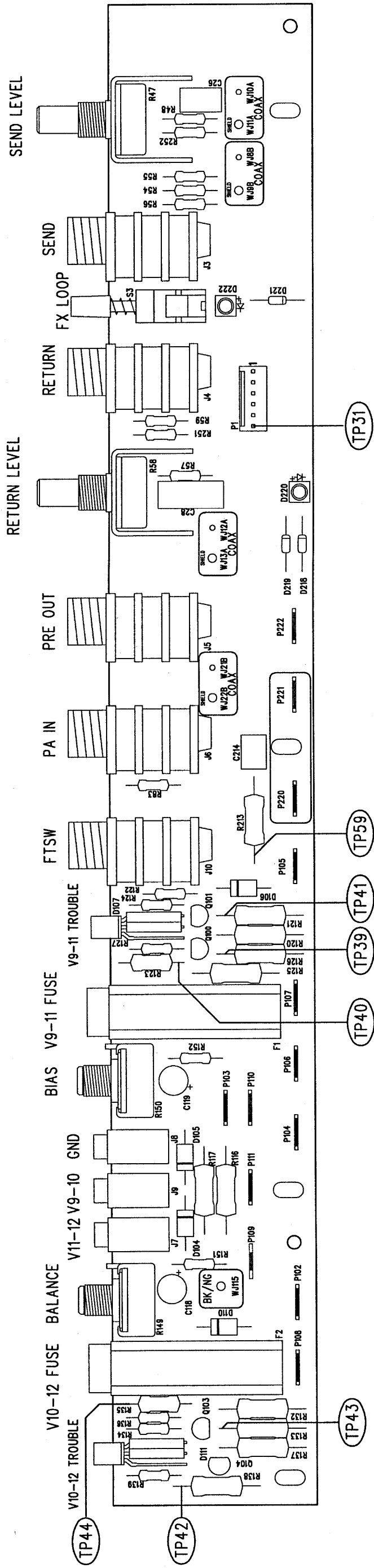
RELEASE DATE: 16-OCT-00 SHEET: 2 OF 4

NOTES: (UNLESS OTHERWISE NOTED)

1 2 3 4 5 6 7 8

REVISIONS

REV.	DESCRIPTION	DATE	APPROVED
A	PR 448	16-OCT-00	S.M.B.
B	EC 2606	23-FEB-01	S.M.B.



FILM/DWG: SERVICE DIAGRAM
 DATABASE: Z448P2.PCB DATE: 16-OCT-00

THIS DOCUMENT CONTAINS INFORMATION OF A PROPRIETARY NATURE TO FENDER MUSICAL INSTRUMENTS AND IS SUBMITTED TO YOU IN CONFIDENCE AND SHALL NOT BE DISCLOSED OR TRANSMITTED TO OTHERS WITHOUT AUTHORIZATION FROM FENDER MUSICAL INSTRUMENTS.

Fender
 MUSICAL INSTRUMENTS
 Corona, CA U.S.A.

TITLE: SERVICE DIAGRAM, COMBINED (PCB assy)
 PRO-TUBE AMPS
 REAR PANEL PCB

CHECKED BY: _____
 DATE: _____
 APPROVED BY: _____
 DATE: _____
 DRAWN: S.Bankhead ENGR: S.Bankhead
 DATABASE FILE: Z448P2.PCB

SIZE: B DRAWING NUMBER: 0057014000 REV. B
 RELEASE DATE: 16-OCT-00 SHEET 4 OF 4

2. SEE PAGE 1 FOR NOTES AND TEST CONDITIONS
 1. WIRES NOT SHOWN FOR CLARITY
 NOTES: (UNLESS OTHERWISE NOTED)