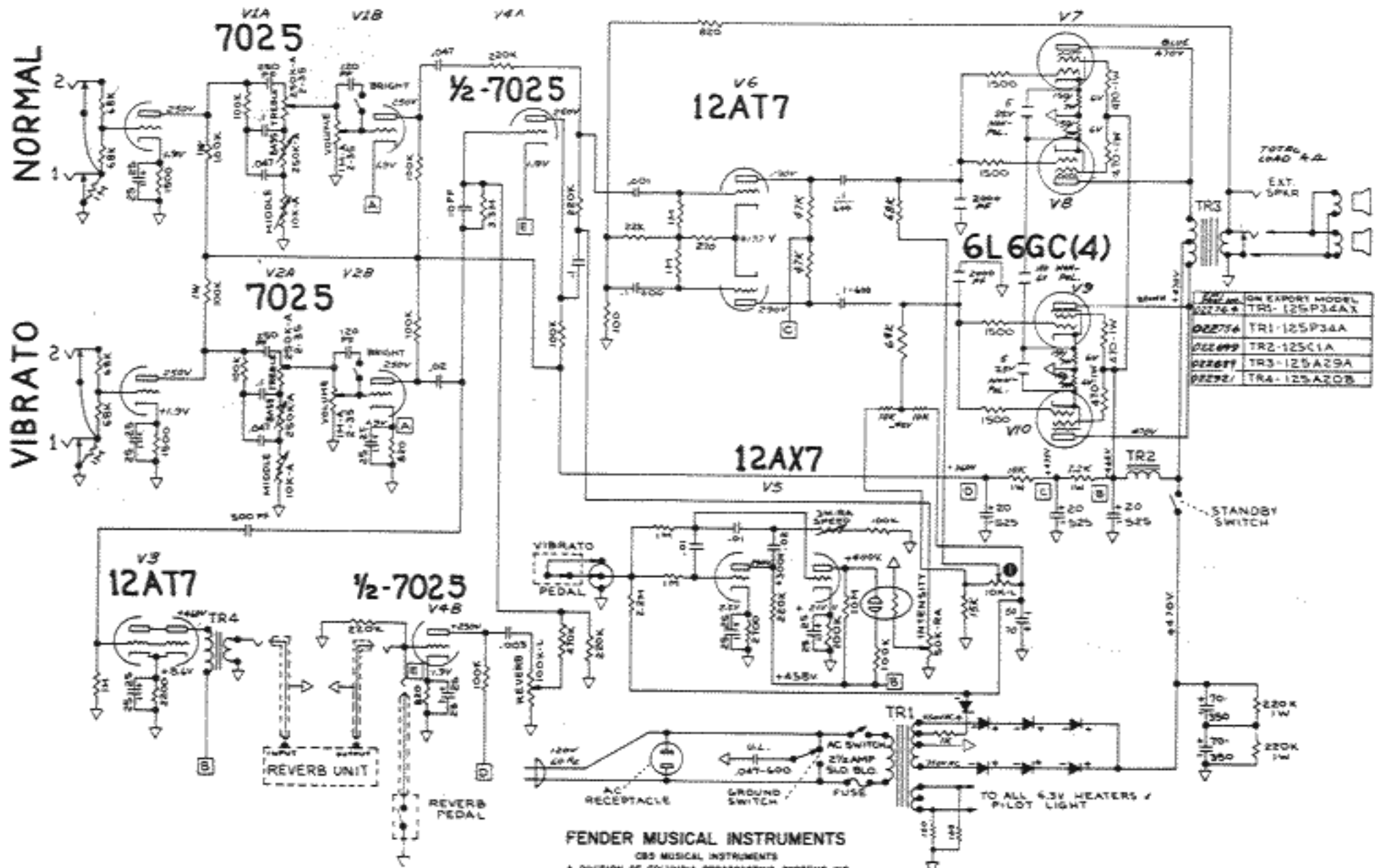


FENDER MODEL "TWIN REVERB-AMPAC 56" SCHEMATIC NOTICE

THIS PRODUCT MANUFACTURED UNDER ONE OR MORE OF THE FOLLOWING U.S. PATENTS:
 # 2817708, #2913481, 192859 / PATENTS PENDING.

- 1 - VOLTAGES READ TO GROUND WITH V.T.V.M.
- 2 - VALUES SHOWN + OR - 20%
- 3 - ALL RESISTORS 1/2 WATT 10% TOLERANCE IF NOT SPECIFIED.
- 4 - ALL CAPACITORS AT LEAST 500 VOLT RATING IF NOT SPECIFIED.
- 5 - VOLTAGES MEASURED WITH VIBRATO PEDAL GROUND TO CHASSIS.

C-FD



TR1	TR2	TR3	TR4
022764	TR1-125P34A	TR2-125C1A	TR3-125A29A
022774	TR1-125P34A	TR2-125C1A	TR3-125A29A
022784	TR1-125P34A	TR2-125C1A	TR3-125A29A
022794	TR1-125P34A	TR2-125C1A	TR3-125A29A

FENDER MUSICAL INSTRUMENTS
 CBS MUSICAL INSTRUMENTS
 A DIVISION OF COLUMBIA BROADCASTING SYSTEMS INC.
 SANTA ANA, CALIFORNIA
 U.S.A.

OWN. F.J.	DATE 5-27-68	Fender MUSICAL INSTRUMENTS SANTA ANA, CALIFORNIA	
CHK.		DWG. TITLE SCHEMATIC & WIRING DIAGRAM - TWIN REVERB TUBE TYPE	
APPD.		REL. NO. 480	DWG. NO. 045377
APPD.		SCALE 1:1	MODEL Twin Reverb TUBE TYPE
APPD.			SHEET 1 OF 2