

FENDER "TREMOLUX" SCHEMATIC

MODEL 669-B

P/O

NOTICE

- 1- VOLTAGES READ TO GROUND WITH ELECTRONIC VOLTMETER. VALUES SHOWN + OR - 20%
- 2- ALL RESISTORS 1/2 WATT, 10% TOLERANCE IF NOT SPECIFIED.
- 3- ALL CAPACITORS AT LEAST 400 VOLT RATING IF NOT SPECIFIED.

CIRCUIT PATENT #2817708

7 0 2 5

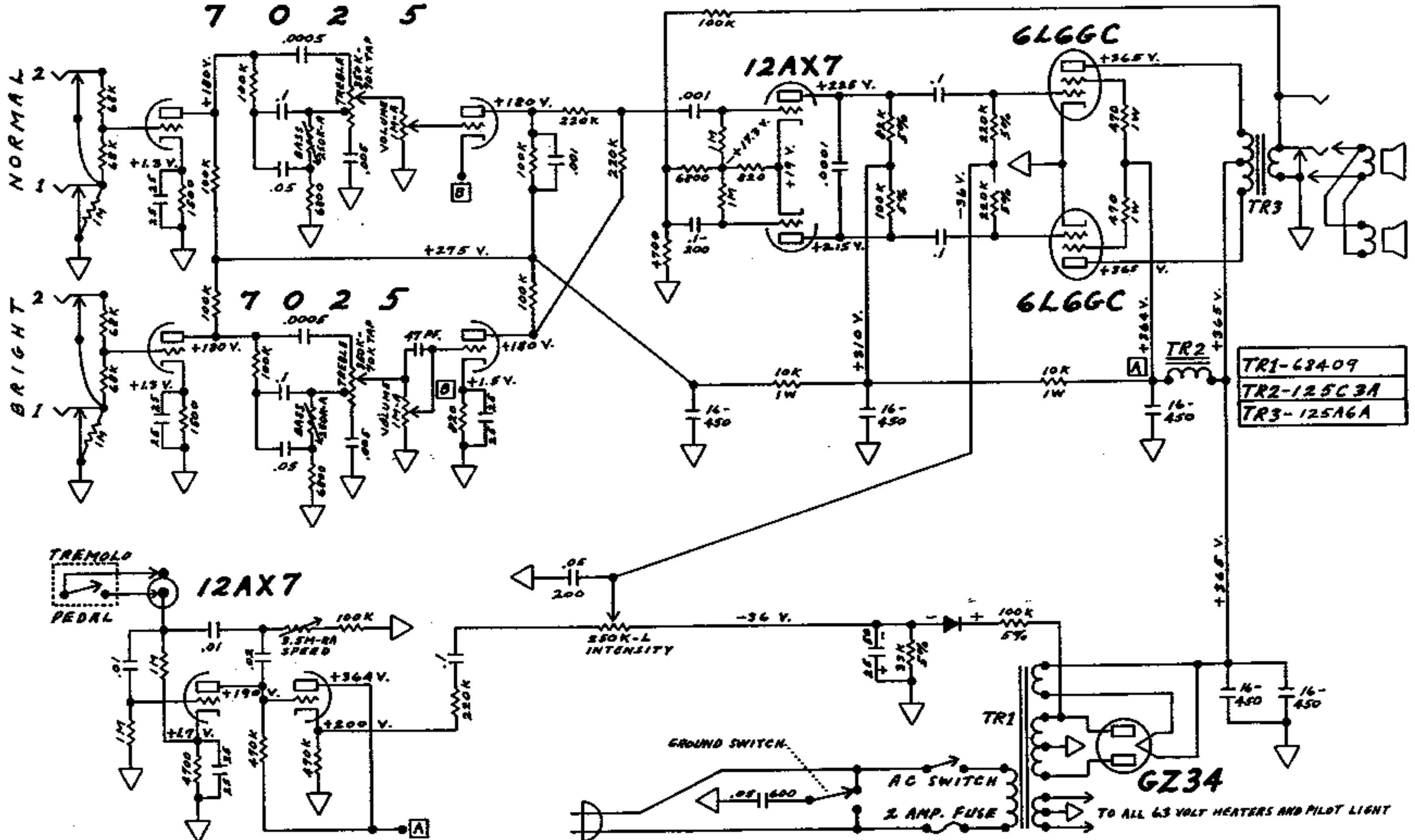
NORMAL

BRIGHT

7 0 2 5

TREMOLUX
PEDAL

12AX7



TR1-63409
TR2-125C3A
TR3-125A6A

FENDER MUSICAL INSTRUMENTS
A DIVISION OF COLUMBIA RECORD DISTRIBUTION COEP.
SANTA ANA, CALIFORNIA
U.S.A.