

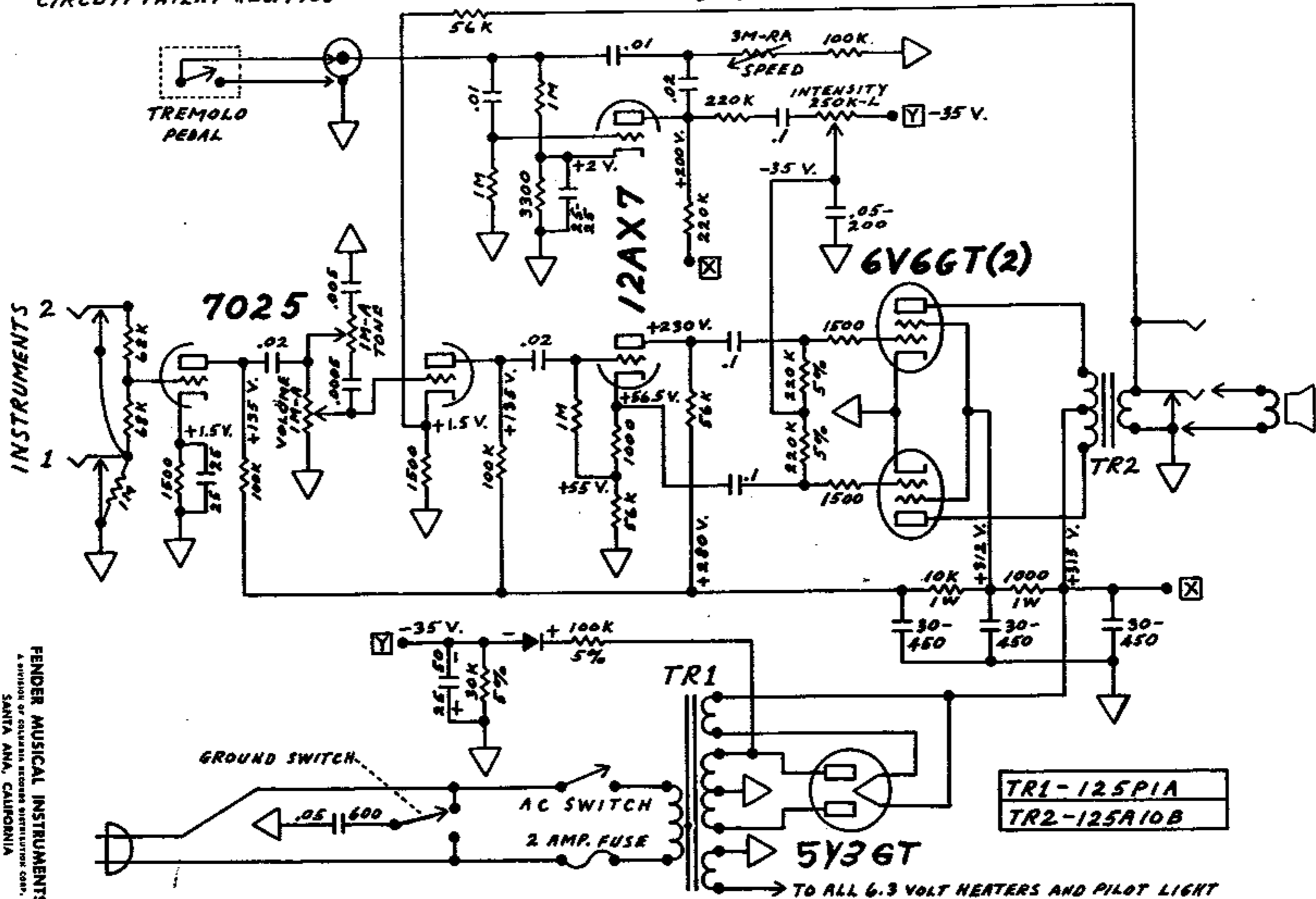
# FENDER "PRINCETON" SCHEMATIC

MODEL 6G2 H-FA

CIRCUIT PATENT #2817708

## NOTICE

- 1- VOLTAGES READ TO GROUND WITH ELECTRONIC VOLTMETER. VALUES SHOWN + OR - 20%.
- 2- ALL RESISTORS 1/2 WATT IF NOT SPECIFIED.
- 3- ALL CAPACITORS AT LEAST 400 VOLTS IF NOT SPECIFIED.



FENDER MUSICAL INSTRUMENTS  
A DIVISION OF COLGEMIN RECORD DISTRIBUTOR CORP.  
SANTA ANA, CALIFORNIA  
U.S.A.