

FENDER MODEL BASSMAN TEN

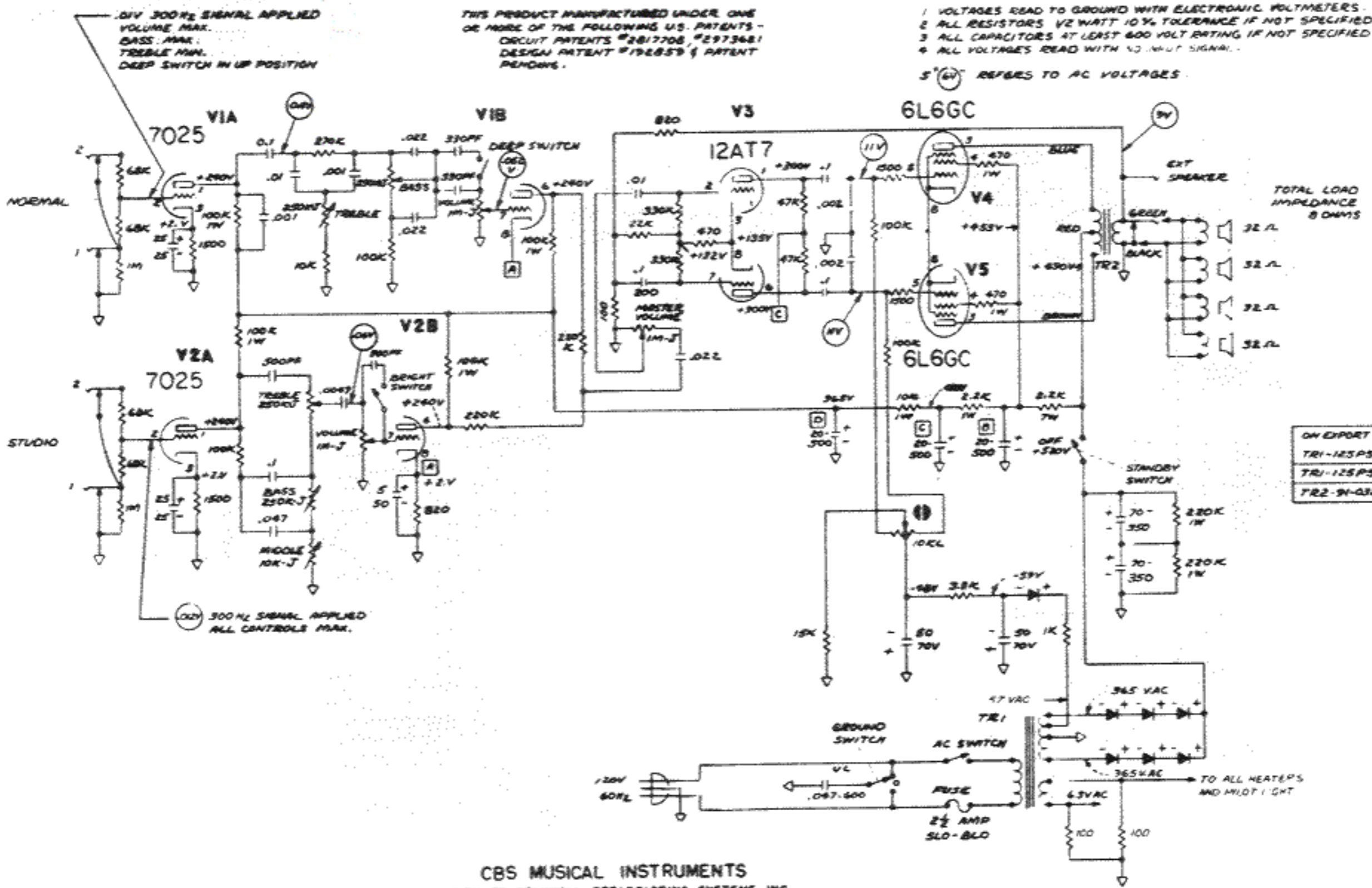
SCHEMATIC

NOTICE

THIS PRODUCT MANUFACTURED UNDER ONE OR MORE OF THE FOLLOWING U.S. PATENTS - CIRCUIT PATENTS #2817708, #2973481 DESIGN PATENT #192859 & PATENT PENDING.

- 1 VOLTAGES READ TO GROUND WITH ELECTRONIC VOLTMETERS.
- 2 ALL RESISTORS 1/2 WATT 10% TOLERANCE IF NOT SPECIFIED.
- 3 ALL CAPACITORS AT LEAST 500 VOLT RATING IF NOT SPECIFIED.
- 4 ALL VOLTAGES READ WITH 100 MVT SIGNAL.

5^{AC} REFERS TO AC VOLTAGES.



OH EXPORT MODEL	CBS P/P
TR1-125P50X	022806
TR1-125P50	022798
TR2-91-032-027-00	021848

CBS MUSICAL INSTRUMENTS
 A DIVISION OF COLUMBIA BROADCASTING SYSTEMS INC.
 FULLERTON, CALIFORNIA
 U.S.A.