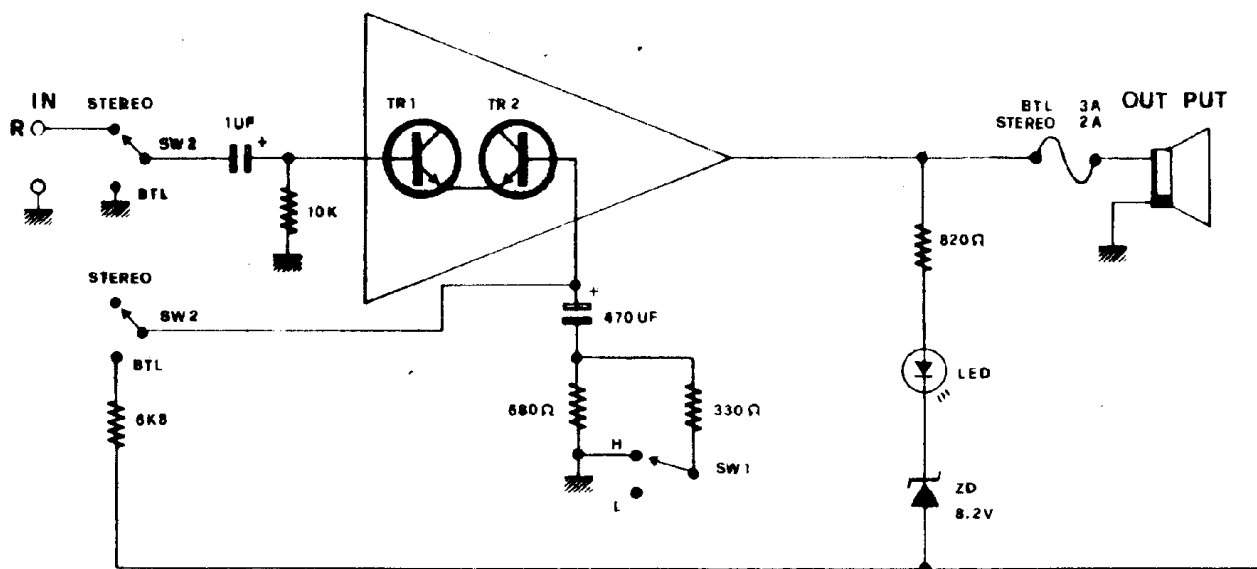
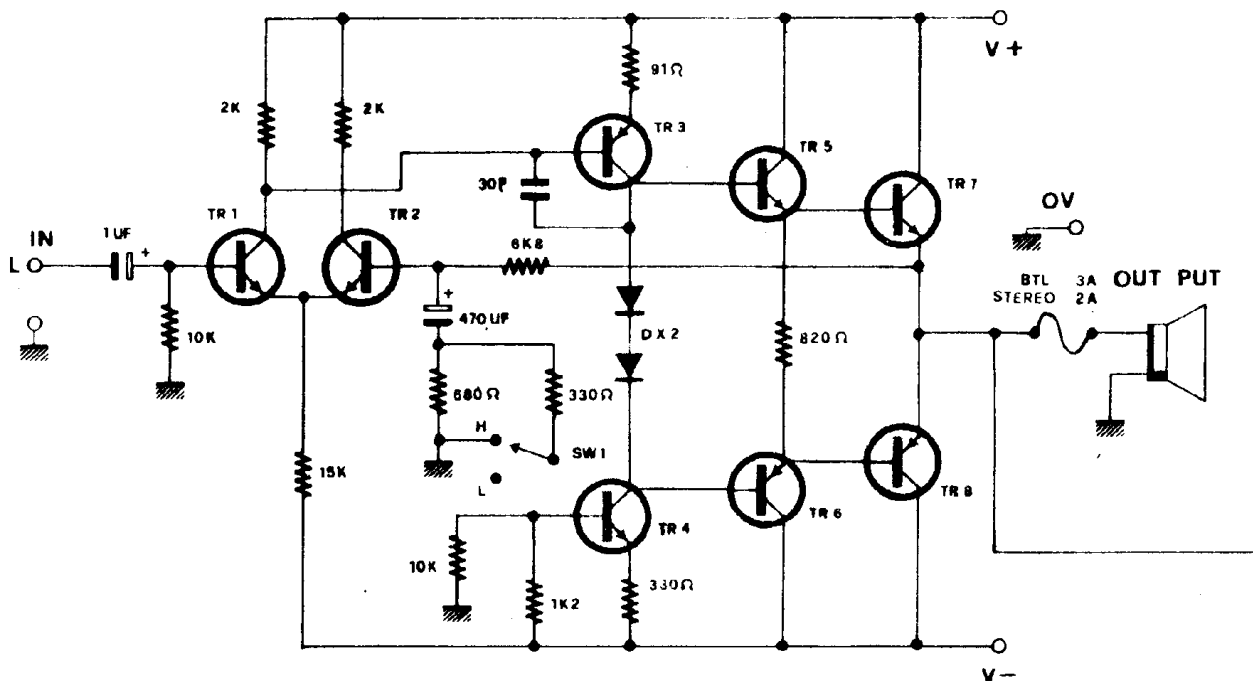
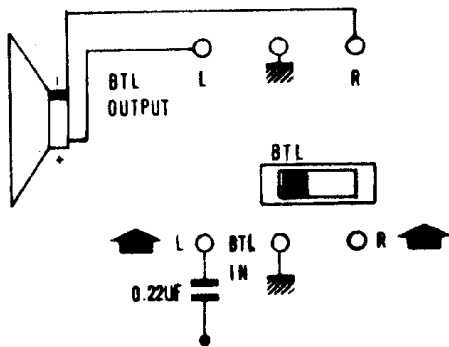
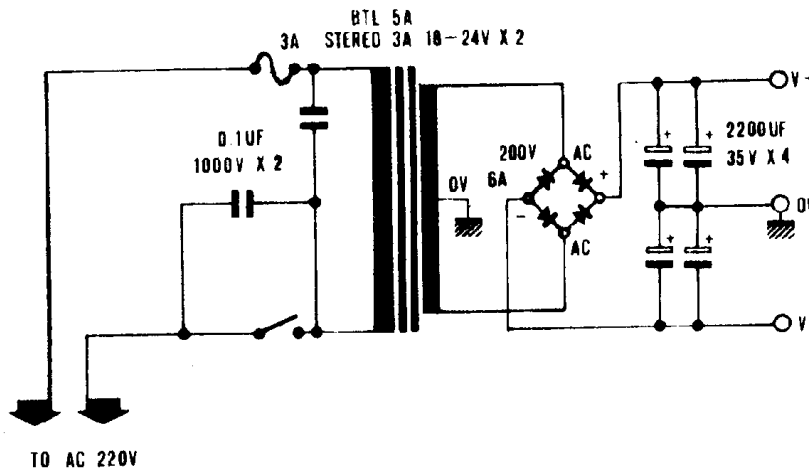
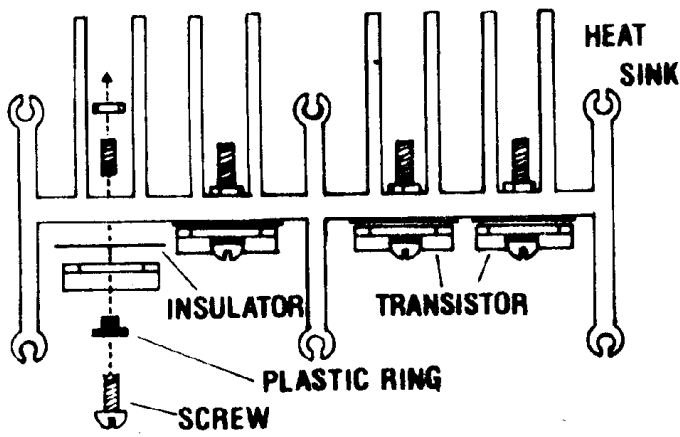


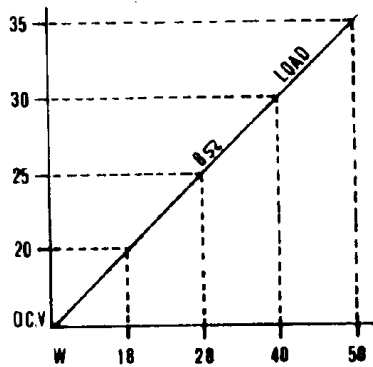
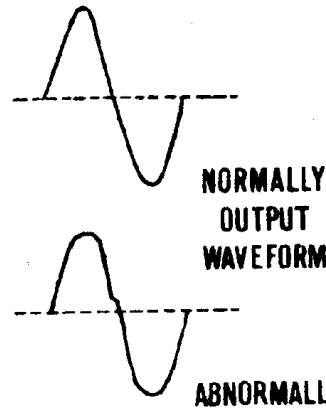
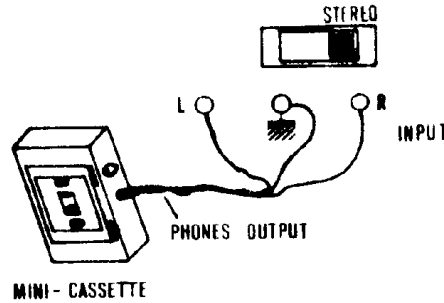
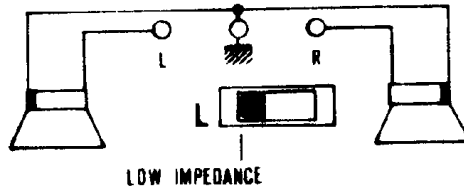
STEREO 50 + 50W BTL 150W MINI-CASSETTE POWER AMPLIFIER.



| | | | | | |
|----------------------|----------------|----------|-----------|----------------|---|
| <p>TR 1, 2, 3, 4</p> | <p>TR 7, 8</p> | <p>D</p> | <p>ZD</p> | <p>TR 5, 6</p> | <p>TR 1, 2, 4 C1815</p> <p>TR 3 A844</p> <p>TR 5 MS 4922</p> <p>TR 6 MS 4919</p> <p>TR 7 MS 3055</p> <p>TR 8 MS 2955</p> <p>D IN 4148</p> |
|----------------------|----------------|----------|-----------|----------------|---|



CONNECTION OF BTL



| | Stereo | BTL |
|---------------|-------------------|-------------------|
| Input Sent: | 800mV | 800mV |
| High Imp: | 10K | 10K |
| Low Imp: | 680 ohms | 680 ohms |
| Output Power: | 50+50W | 150W |
| Imp: | 4-16ohms | 4-16ohms |
| Freq Res: | 5Hz-50KHz ±3dB | 5Hz-50KHz ±3dB |
| Distort: | 0.02% | 0.01% |
| Power Sup: | DC±24-35V | DC±24-35V |
| | AC±18-24V | AC±18-24V |
| Current: | 3A | 5A |

