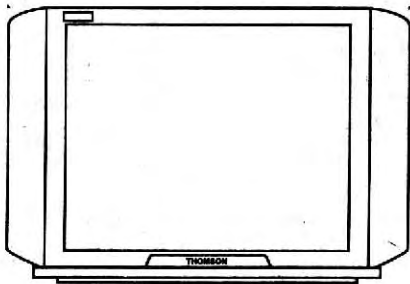
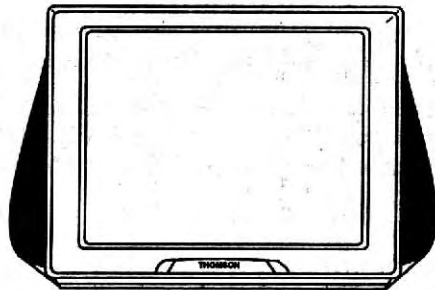


THOMSON ICC9 CHASSIS

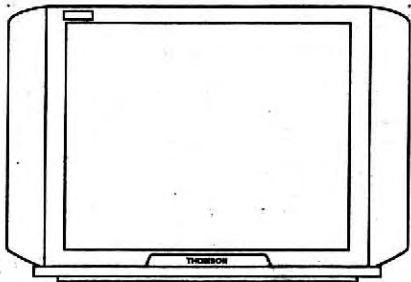
63MT68L, 72MT68L, 63DF68L, 72DF68L, 25DH65J,
29DH65J, 29DF65J, 85MX69L



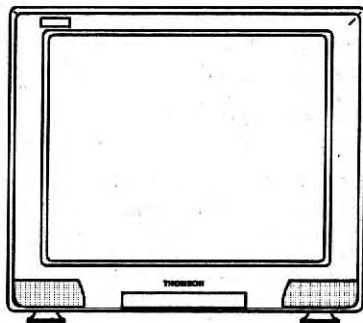
72DF68L / 29DH65J
63DF68L/25DH65J



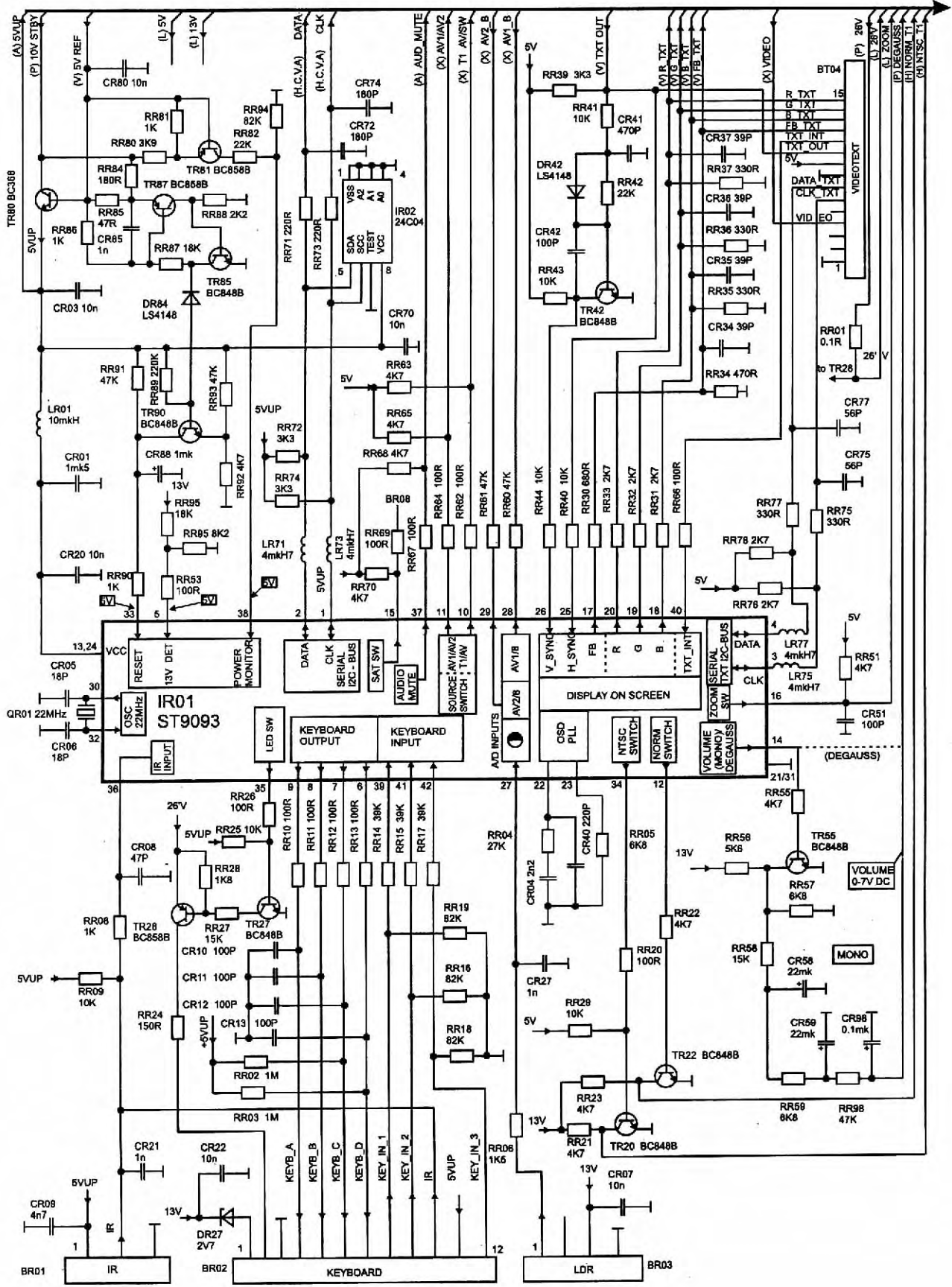
72MT68L / 63MT68L

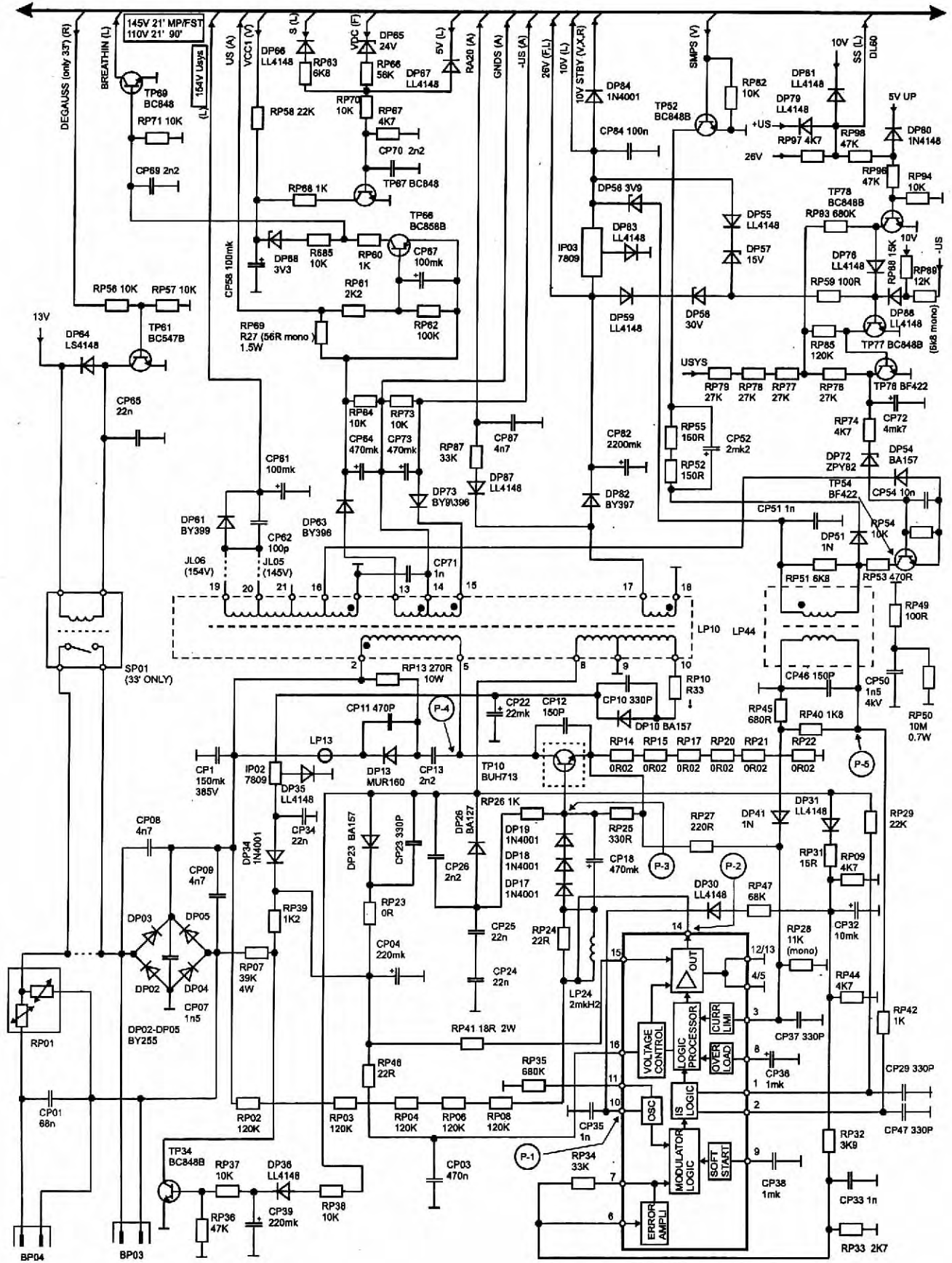


29DF65J

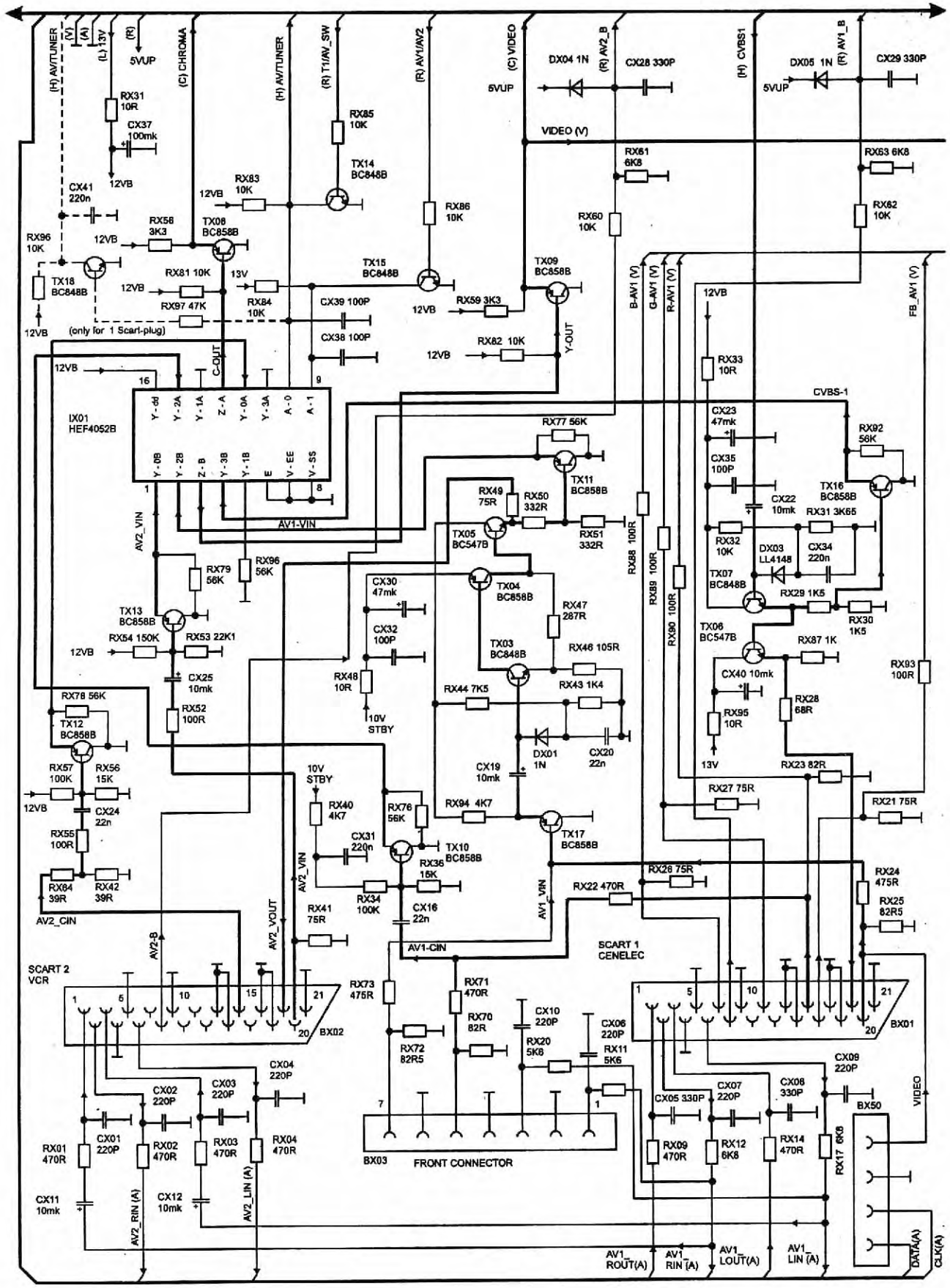


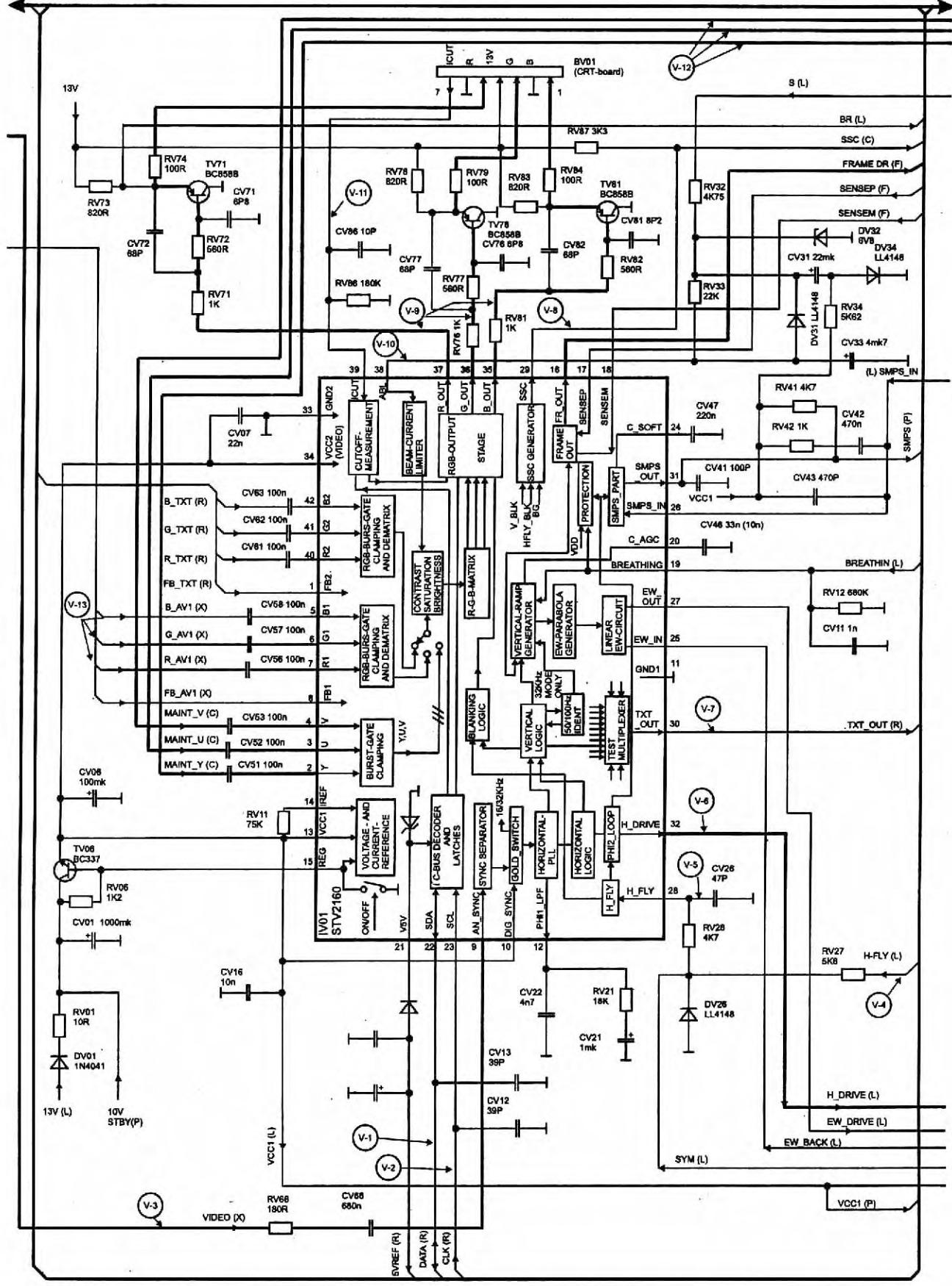
85MX69L

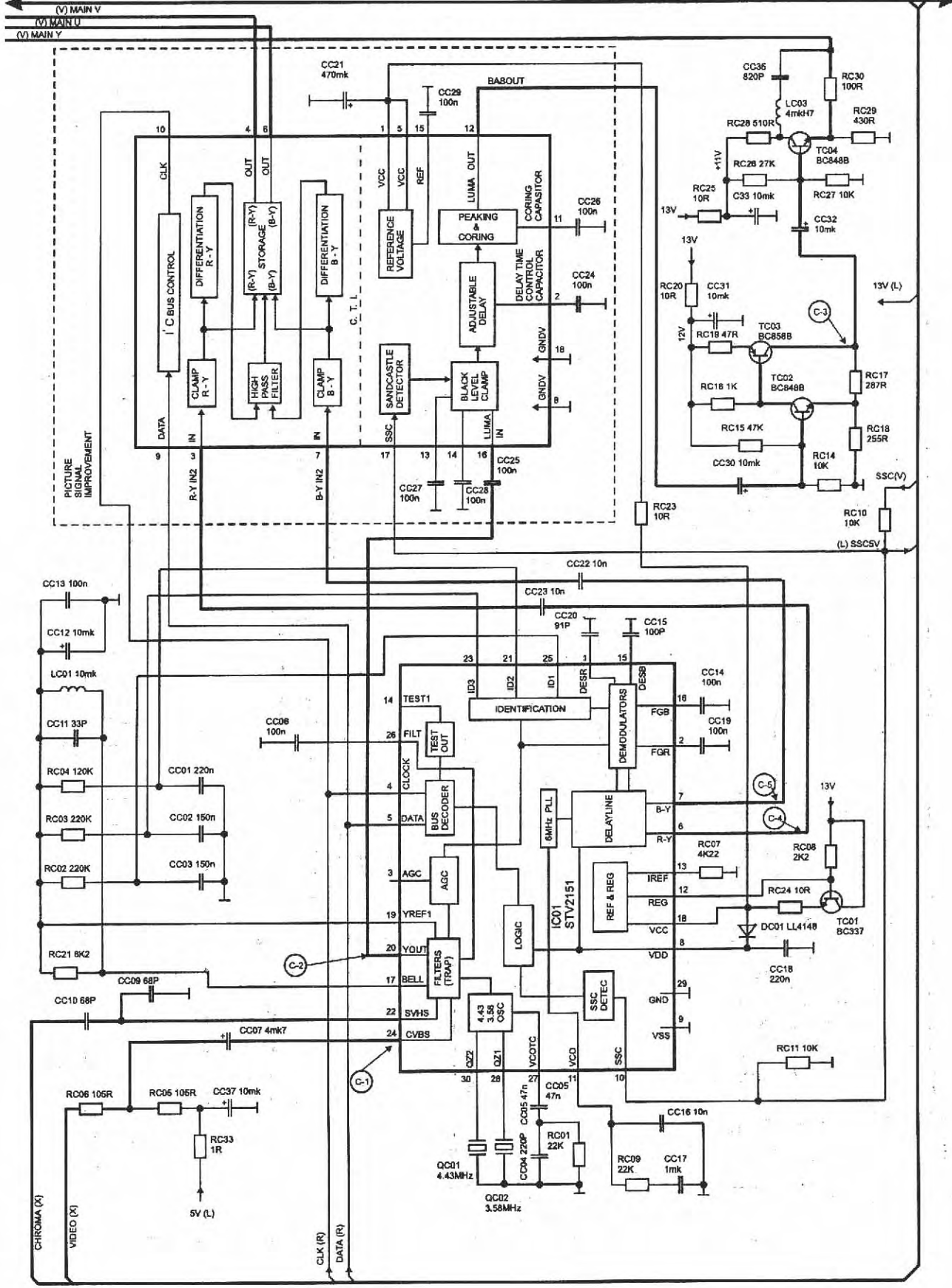




IP01 TEA2261







CHROMA (X)

VIDEO (X)

CLK (R)

DATA (R)

C-2

C-1

C-5

C-4

C-3

PICTURE SIGNAL IMPROVEMENT

CLK

DIFFERENTIATION R-Y

OUT

(R-Y) STORAGE (R-Y)

(B-Y)

DIFFERENTIATION B-Y

CLAMP R-Y

IN

DATA

IN

CLAMP B-Y

IN

B-Y IN2

IN

R-Y IN2

IN

CLK

10

4

B

1

5

15

12

11

2

18

17

13

14

9

R-Y IN2

IN

CLAMP R-Y

IN

HIGH PASS FILTER

OUT

(R-Y) STORAGE (R-Y)

(B-Y)

OUT

DIFFERENTIATION B-Y

OUT

DIFFERENTIATION R-Y

OUT

CLK

10

4

B

1

5

15

12

11

2

18

17

13

14

9

R-Y IN2

IN

CLAMP R-Y

IN

HIGH PASS FILTER

OUT

(R-Y) STORAGE (R-Y)

(B-Y)

OUT

DIFFERENTIATION B-Y

OUT

DIFFERENTIATION R-Y

OUT

CLK

10

4

B

1

5

15

12

11

2

18

17

13

14

9

R-Y IN2

IN

CLAMP R-Y

IN

HIGH PASS FILTER

OUT

(R-Y) STORAGE (R-Y)

(B-Y)

OUT

DIFFERENTIATION B-Y

OUT

DIFFERENTIATION R-Y

OUT

CLK

10

4

B

1

5

15

12

11

2

18

17

13

14

9

R-Y IN2

IN

CLAMP R-Y

IN

HIGH PASS FILTER

OUT

(R-Y) STORAGE (R-Y)

(B-Y)

OUT

DIFFERENTIATION B-Y

OUT

DIFFERENTIATION R-Y

OUT

CLK

10

4

B

1

5

15

12

11

2

18

17

13

14

9

R-Y IN2

IN

CLAMP R-Y

IN

HIGH PASS FILTER

OUT

(R-Y) STORAGE (R-Y)

(B-Y)

OUT

DIFFERENTIATION B-Y

OUT

DIFFERENTIATION R-Y

OUT

CLK

10

4

B

1

5

15

12

11

2

18

17

13

14

9

R-Y IN2

IN

CLAMP R-Y

IN

HIGH PASS FILTER

OUT

(R-Y) STORAGE (R-Y)

(B-Y)

OUT

DIFFERENTIATION B-Y

OUT

DIFFERENTIATION R-Y

OUT

CLK

10

4

B

1

5

15

12

11

2

18

17

13

14

9

R-Y IN2

IN

CLAMP R-Y

IN

HIGH PASS FILTER

OUT

(R-Y) STORAGE (R-Y)

(B-Y)

OUT

DIFFERENTIATION B-Y

OUT

DIFFERENTIATION R-Y

OUT

CLK

10

4

B

1

5

15

12

11

2

18

17

13

14

9

R-Y IN2

IN

CLAMP R-Y

IN

HIGH PASS FILTER

OUT

(R-Y) STORAGE (R-Y)

(B-Y)

OUT

DIFFERENTIATION B-Y

OUT

DIFFERENTIATION R-Y

OUT

CLK

10

4

B

1

5

15

12

11

2

18

17

13

14

9

R-Y IN2

IN

CLAMP R-Y

IN

HIGH PASS FILTER

OUT

(R-Y) STORAGE (R-Y)

(B-Y)

OUT

DIFFERENTIATION B-Y

OUT

DIFFERENTIATION R-Y

OUT

CLK

10

4

B

1

5

15

12

11

2

18

17

13

14

9

R-Y IN2

IN

CLAMP R-Y

IN

HIGH PASS FILTER

OUT

(R-Y) STORAGE (R-Y)

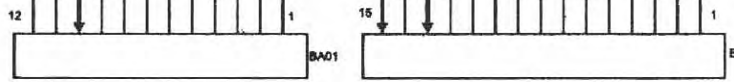
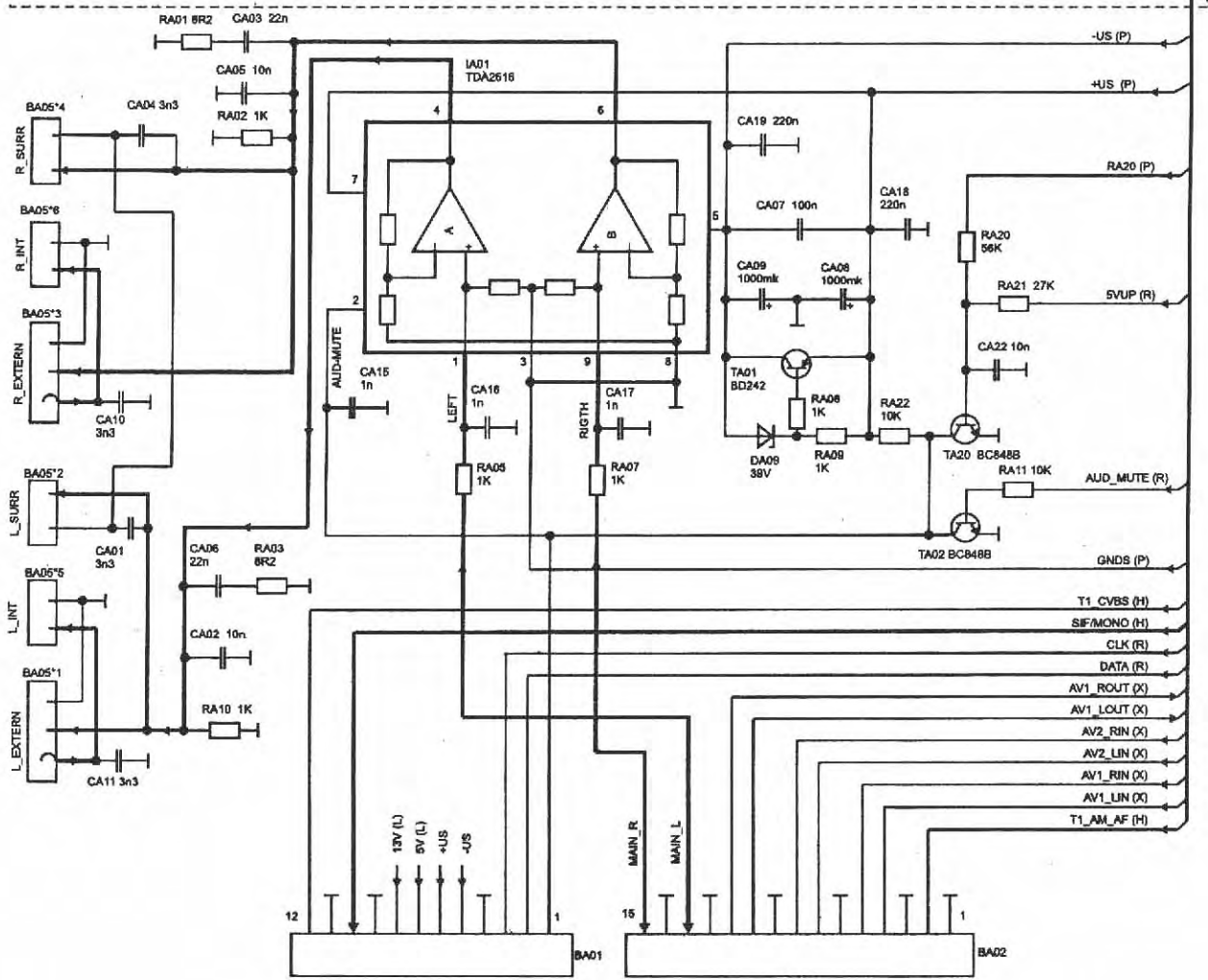
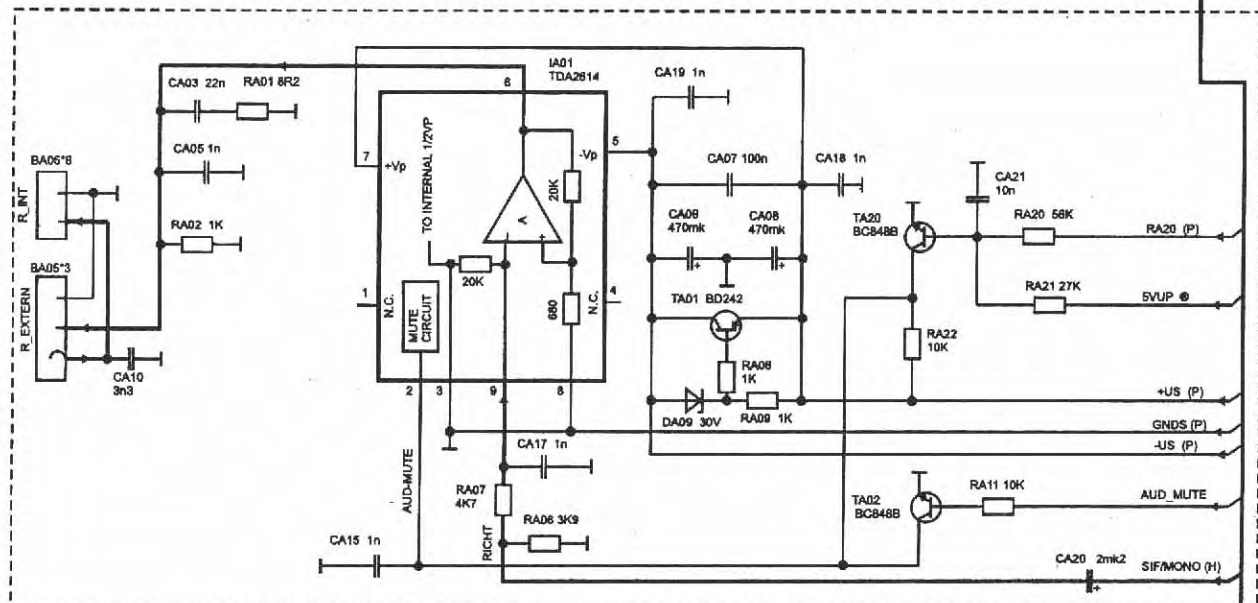
(B-Y)

OUT

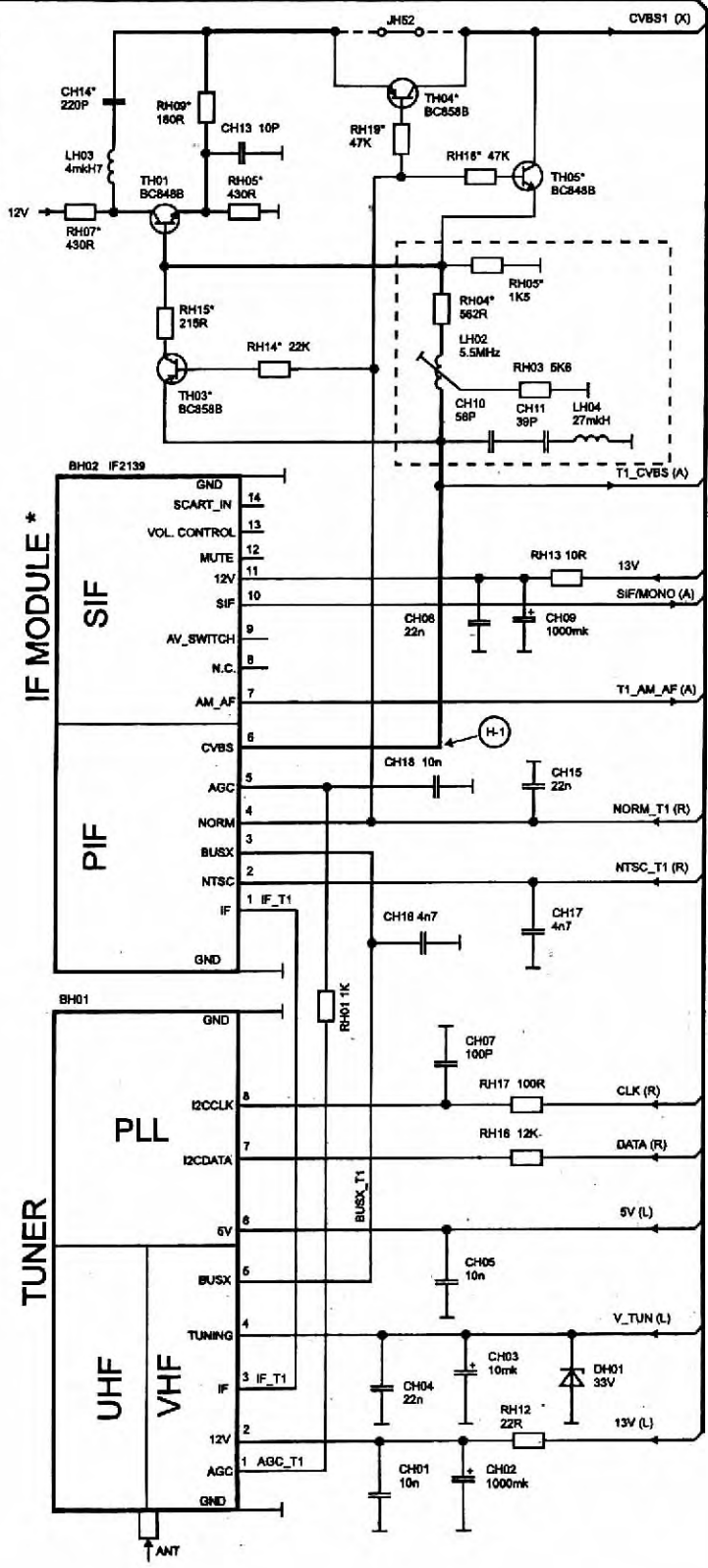
DIFFERENTIATION B-Y

OUT

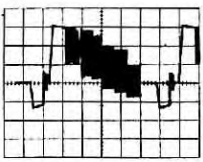
DIFFERENTIATION R-Y



	IF2132	IF2139	IF2133	IF2108	IF2248/50
CH14	100P	220P	180P	180P	100P
RH04	430R	562R	430R	432R	316R
RH05	1K5	1K5	1K5	1K68	1K5
RH06	330R	430R	430R	300R	300R
RH07	330R	430R	560R	430R	430R
RH09	56R	180R	240R	100R	270R
RH12	22R	22R	22R	22R	—
RH15	—	215R	430R	665R	—
RH18	—	47K	—	22K	—
RH19	—	47K	—	22K	—
TH03	—	BC858B	—	BC858B	—
TH04	—	BC858B	BC858B	BC858B	—
TH05	—	BC848B	—	BC848B	—

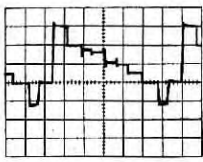


C-1



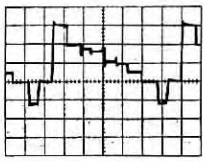
AC 0.1V / 10ms

C-2



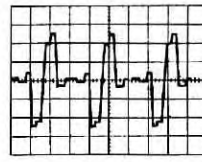
AC 0.1V / 10ms

C-3



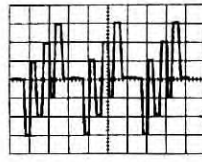
AC 0.2V / 10ms

C-4



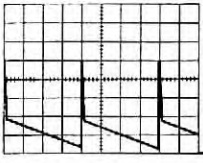
AC 0.2V / 20ms

C-5



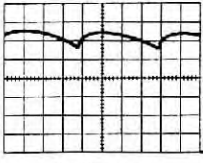
AC 0.2V / 20ms

F-1



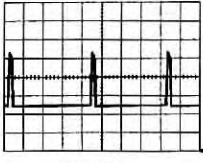
DC 10V / 5ms

F-2



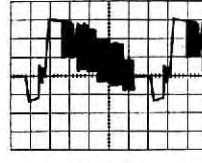
DC 2V / 5ms

F-3



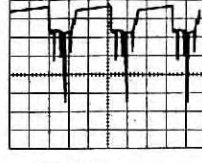
DC 10V / 5ms

H-1



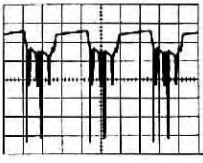
AC 0.5V / 10ms

L-1



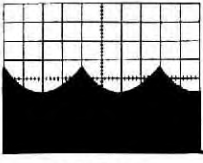
DC 2V / 20ms

L-2



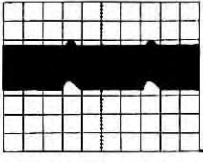
DC 2V / 20ms

L-3



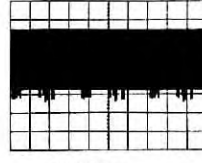
DC 50V / 5ms

L-4



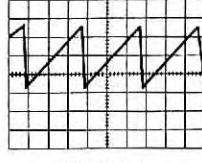
DC 5V / 5ms

P-1 -B



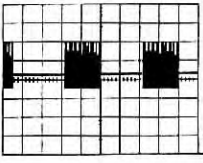
DC 0.5V / 5ms

P-1 V



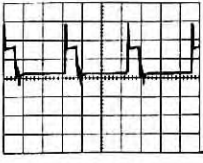
DC 0.5V / 5ms

P-2 B



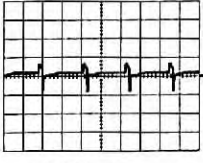
DC 2V / 2ms

P-2 V



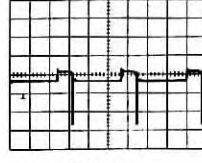
DC 2V / 20ms

P-3 -B



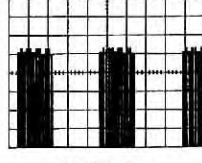
DC 5V / 20ms

P-3 -V



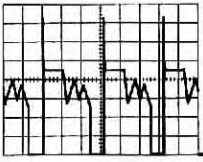
DC 5V / 20ms

P-4 -B



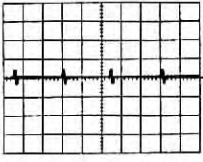
DC 100V / 2ms

P-4 -V



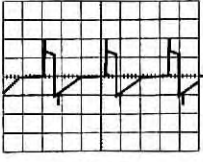
DC 100V / 20ms

P-5 -B



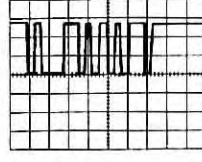
DC 2V / 20ms

P-5 -V



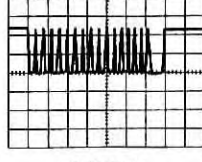
DC 2V / 20ms

V-1



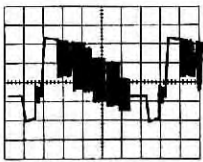
DC 2V / 50ms

V-2



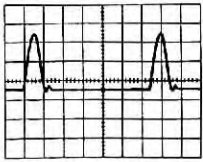
DC 2V / 50ms

V-3



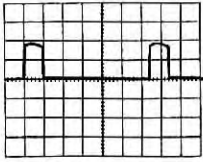
AC 0.2V / 10ms

V-4



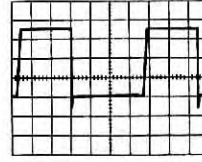
DC 10V / 10ms

V-5



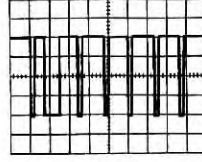
DC 1V / 10ms

V-6



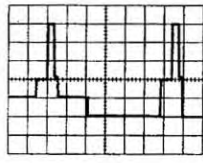
DC 1V / 10ms

V-7



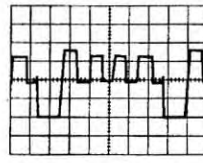
DC 1V / 50ms

V-8



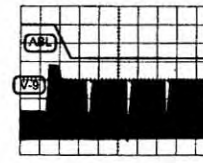
DC 2V / 10ms

V-9



DC 1V / 10ms

V-10



DC 1V / 10ms

V-11



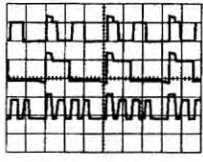
DC 2V / 50ms

V-12

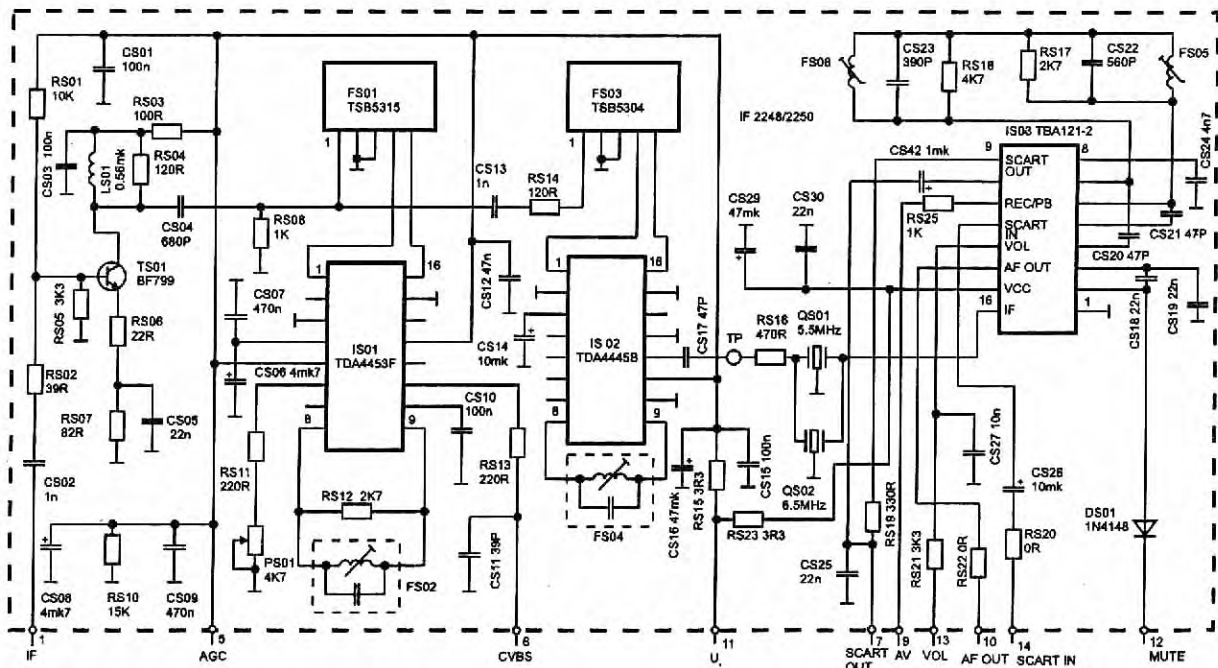


AC 2V / 20ms

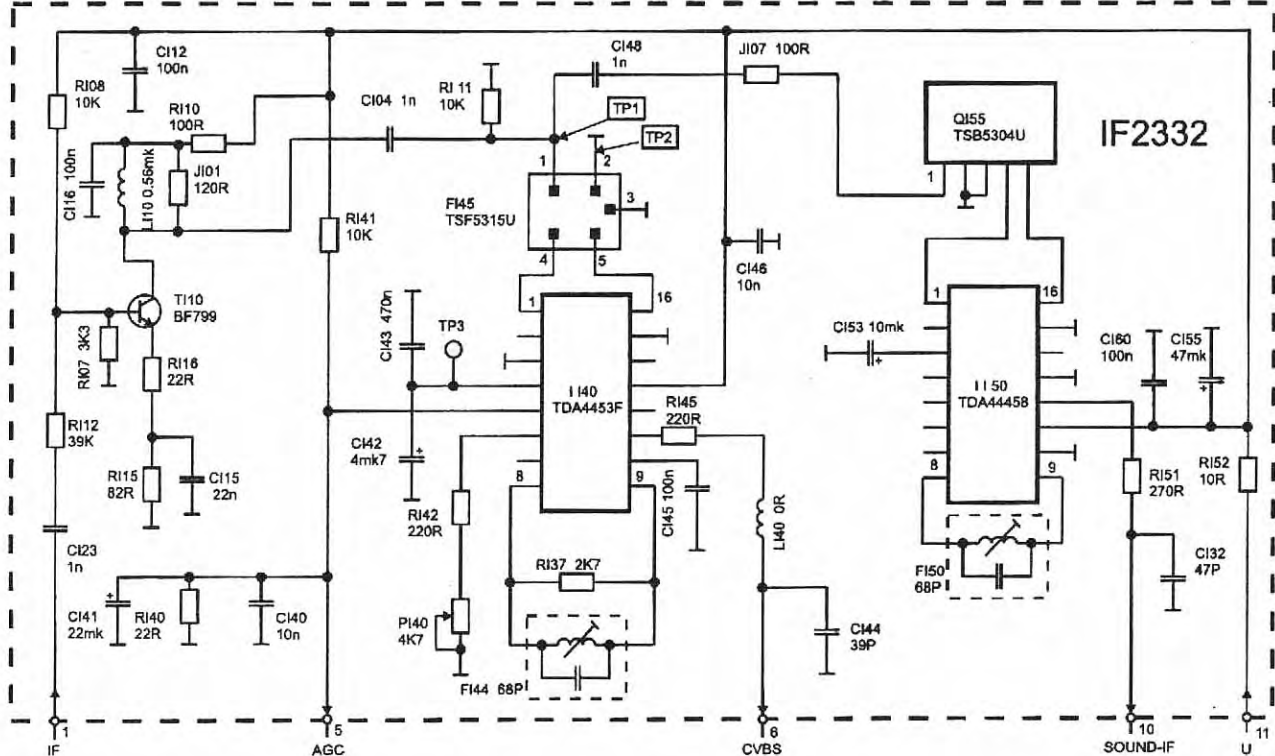
V-13



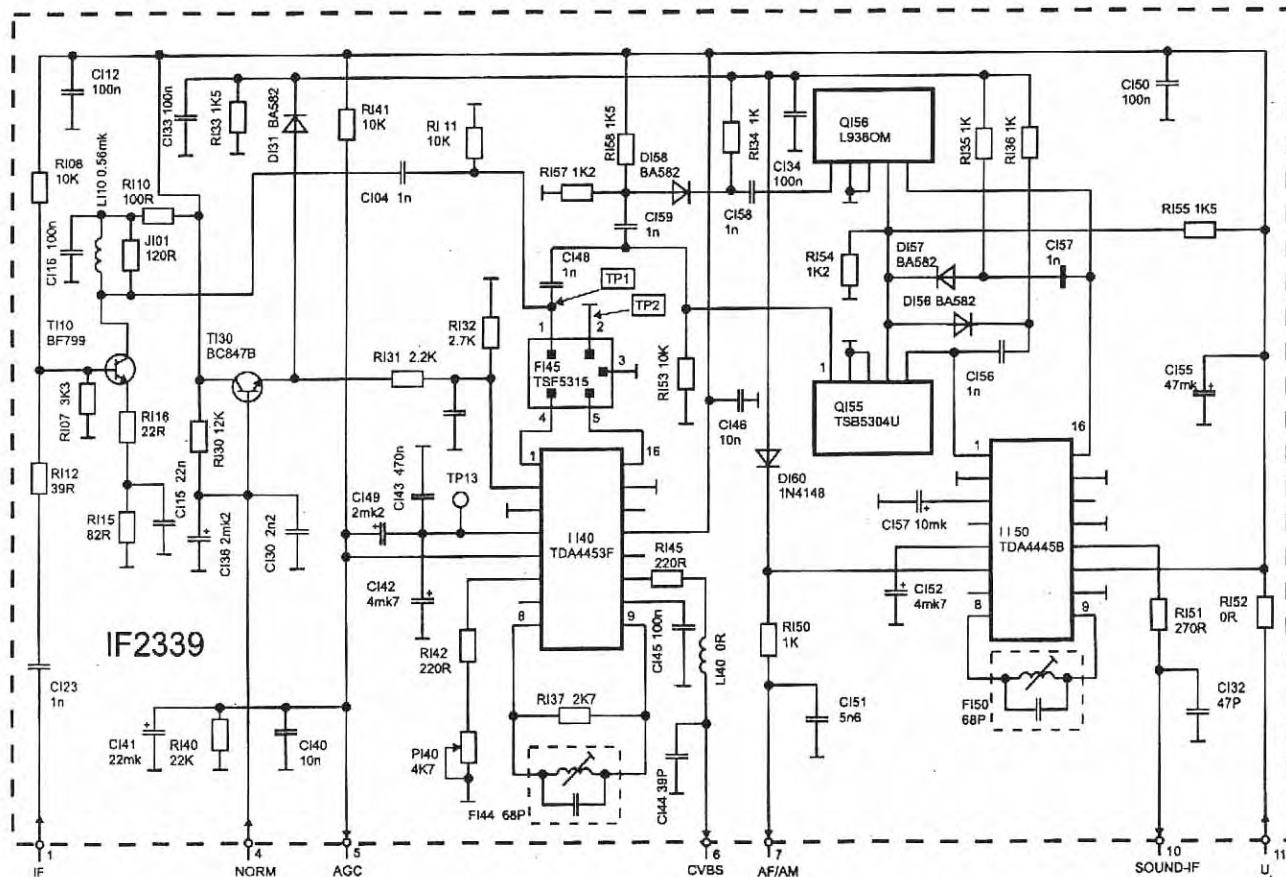
AC 0.5V / 20ms



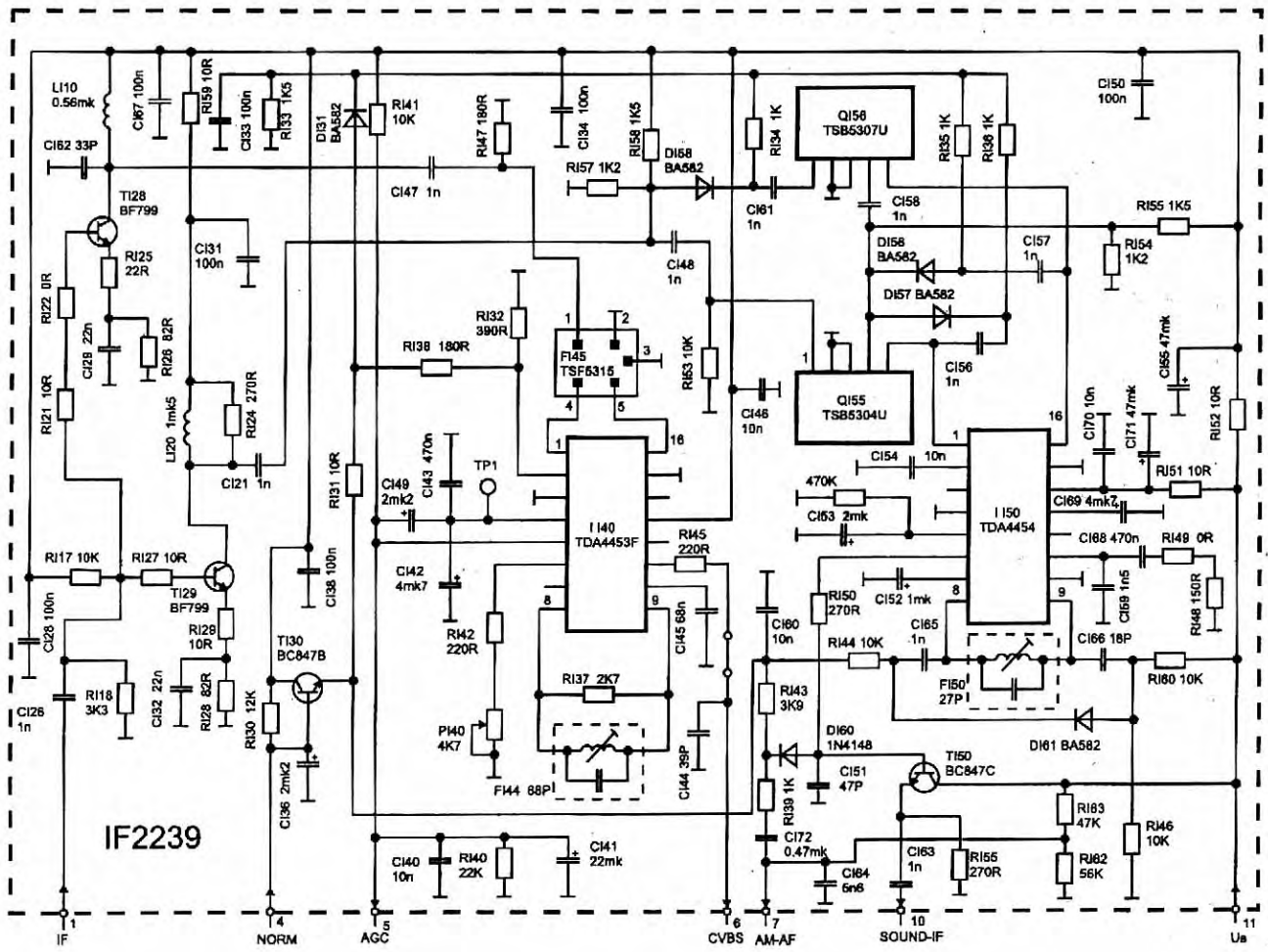
Module IF 2248/2250



Module IF 2332

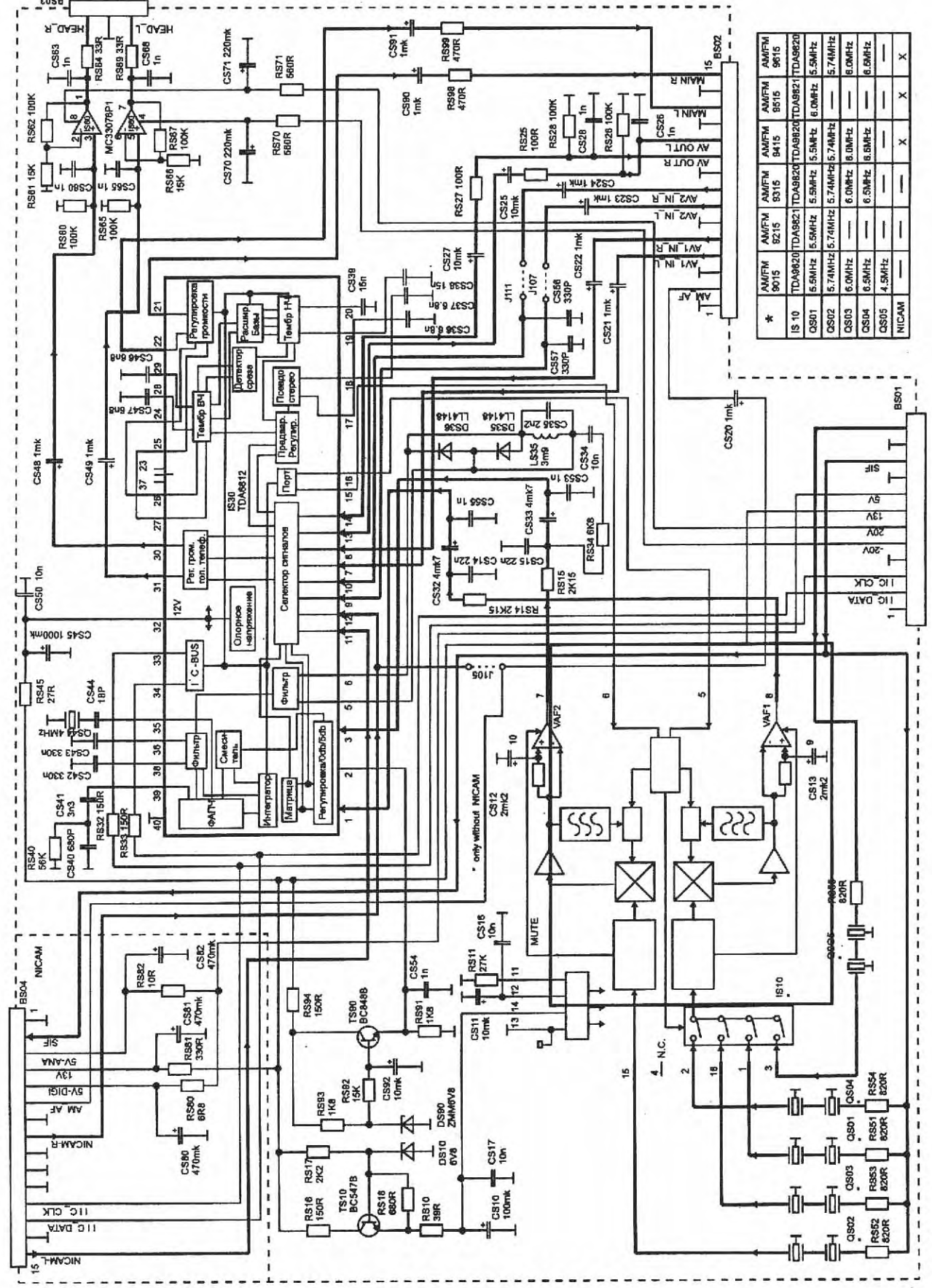


Module IF 2339



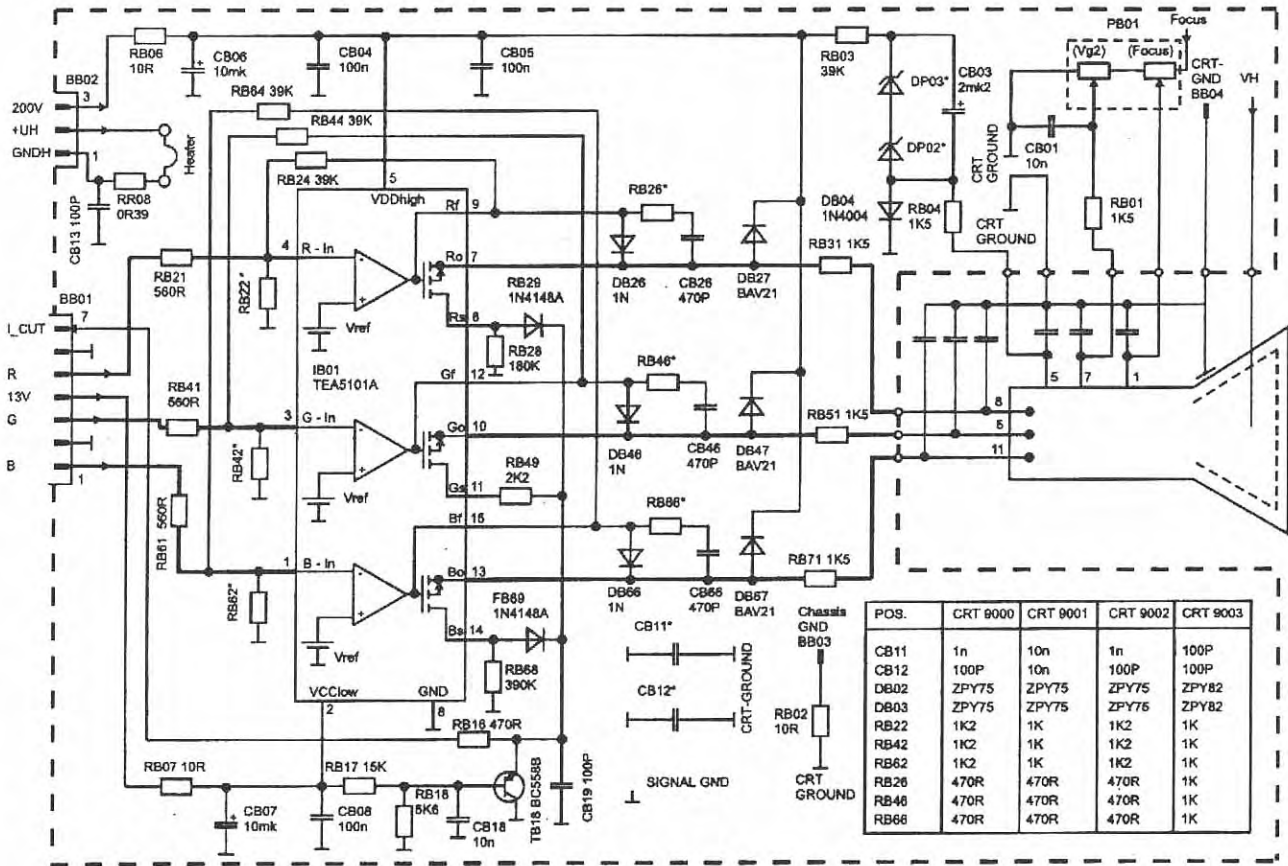
IF2239

Module IF 2239



IS 10	AM/FM 9015	AM/FM 9215	AM/FM 9315	AM/FM 9415	AM/FM 9515	AM/FM 9615
TDA9820	TDA9821	TDA9821	TDA9820	TDA9820	TDA9821	TDA9820
Q901	Q901	Q901	Q901	Q901	Q901	Q901
5.74MHz	5.74MHz	5.74MHz	5.74MHz	5.74MHz	5.74MHz	5.74MHz
6.0MHz	6.0MHz	6.0MHz	6.0MHz	6.0MHz	6.0MHz	6.0MHz
6.5MHz	6.5MHz	6.5MHz	6.5MHz	6.5MHz	6.5MHz	6.5MHz
6.8MHz	6.8MHz	6.8MHz	6.8MHz	6.8MHz	6.8MHz	6.8MHz
4.5MHz	---	---	---	---	---	---
NICAM	---	---	---	---	---	---

AS MODULE



CRT MODULE