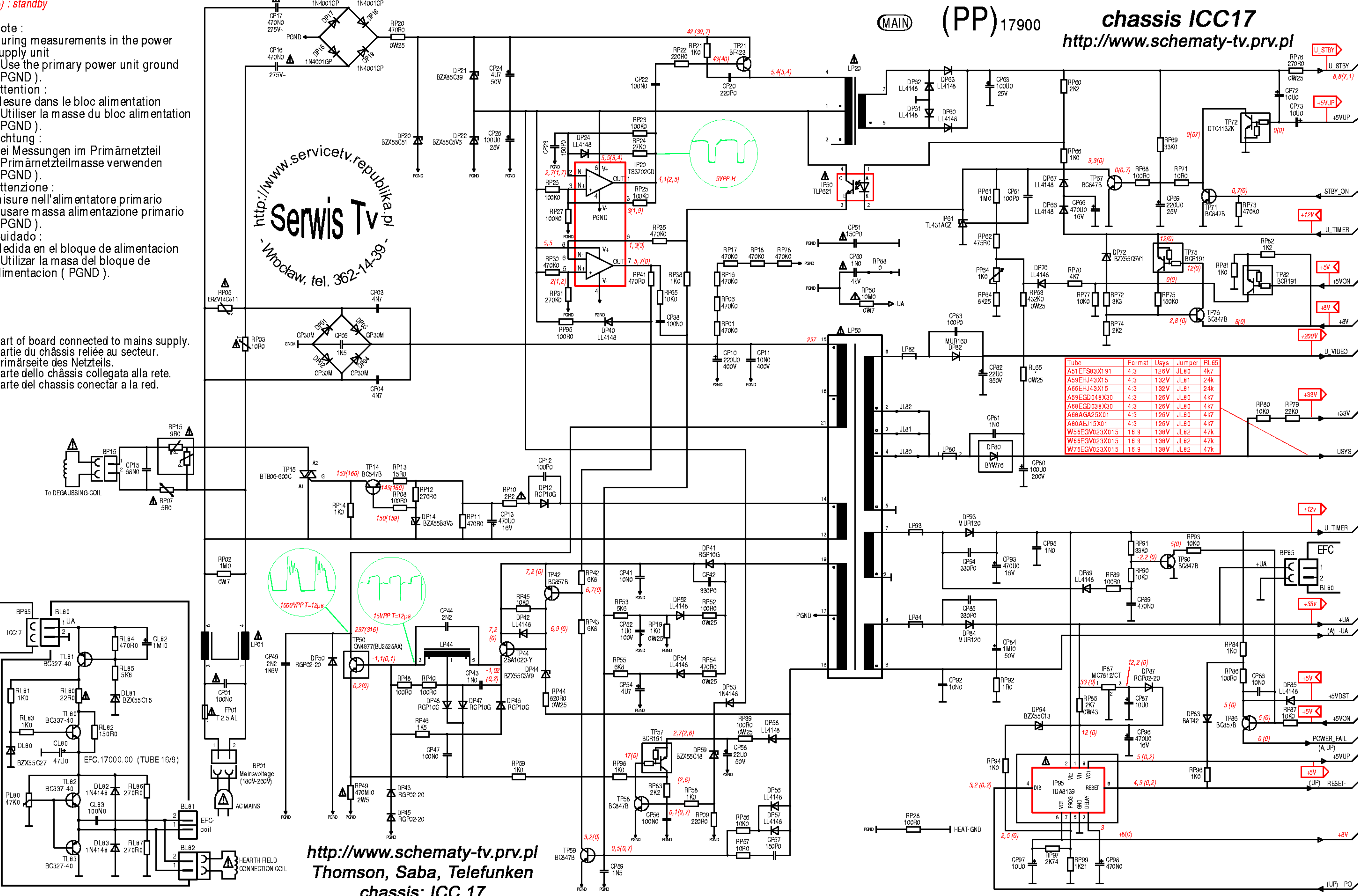


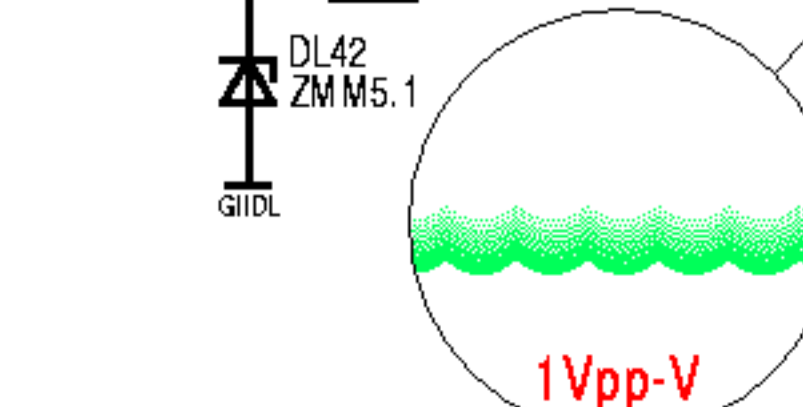
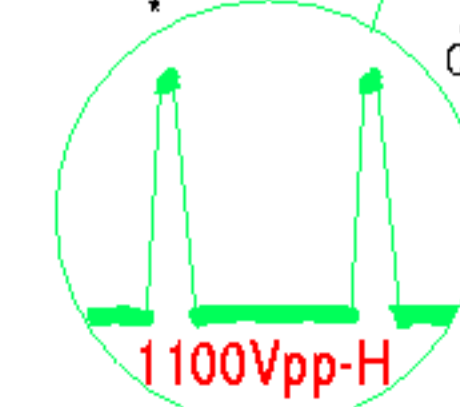
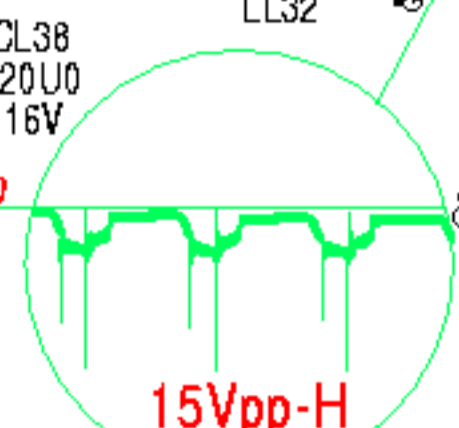
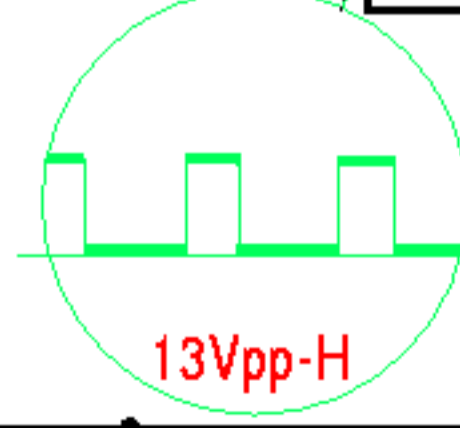
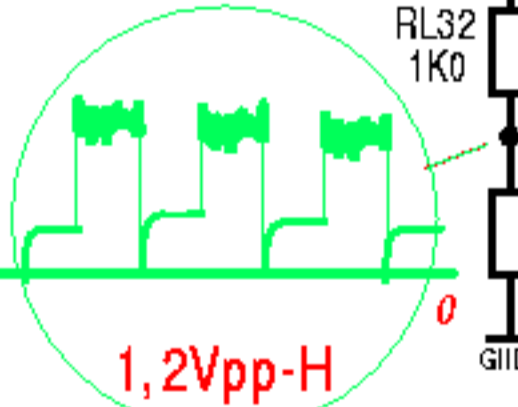
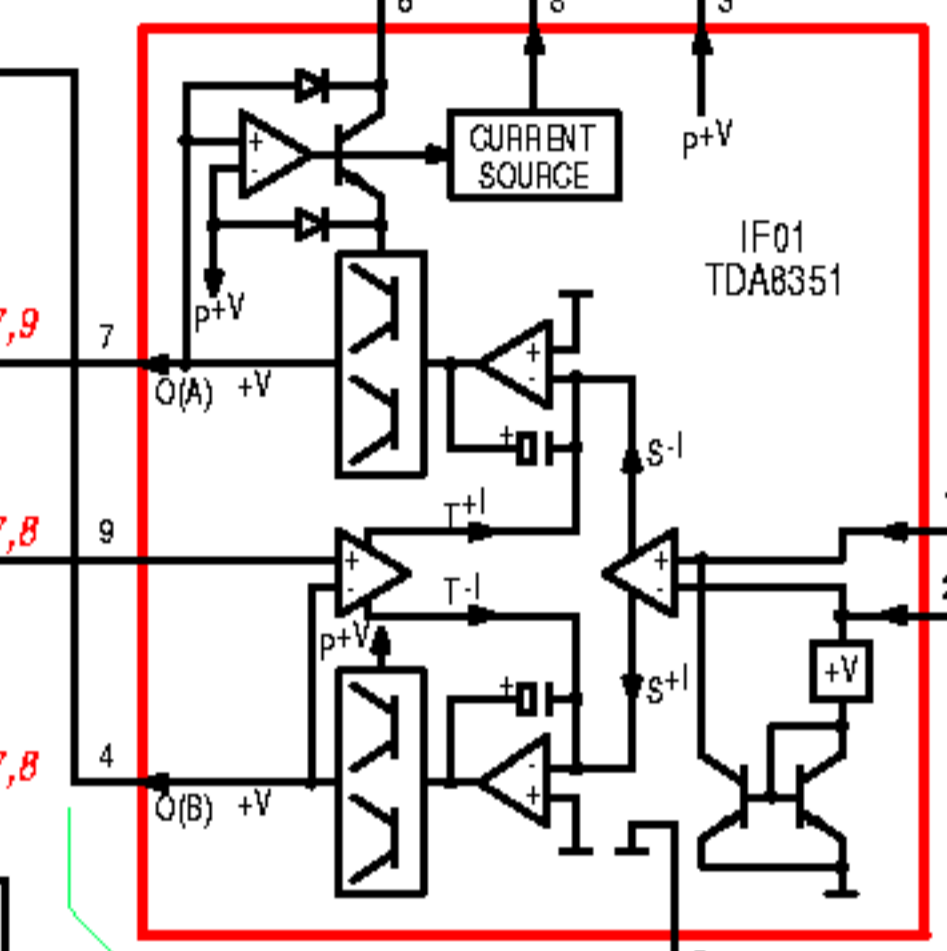
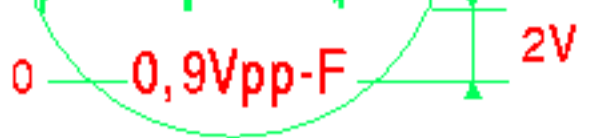
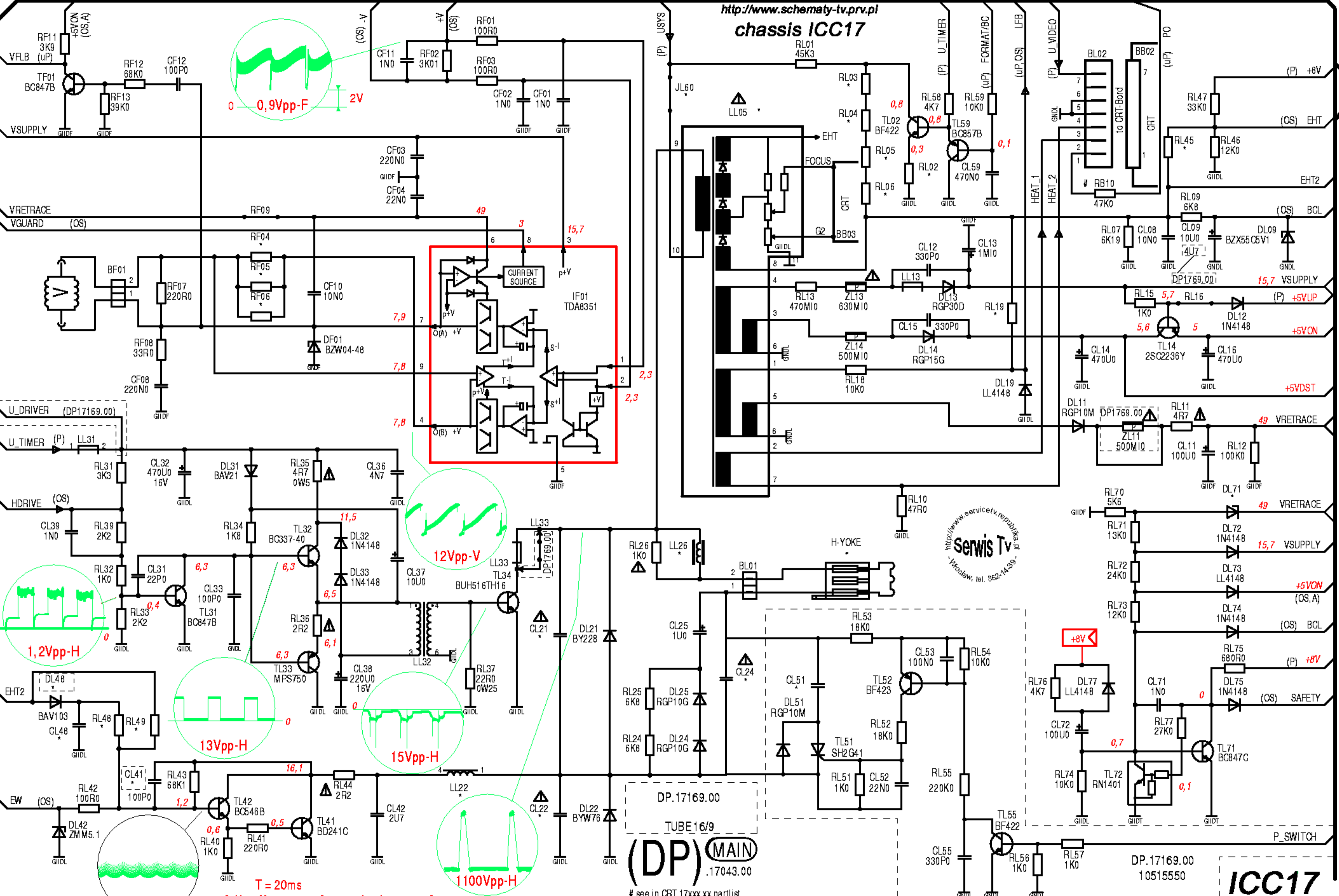
Note :  
During measurements in the power supply unit  
- Use the primary power unit ground ( PGND ).  
Attention :  
Mesure dans le bloc alimentation  
- Utiliser la masse du bloc alimentation ( PGND ).  
Achtung :  
Bei Messungen im Primärnetzteil  
- Primärnetzteilmasse verwenden ( PGND ).  
Attenzione :  
Misura nell'alimentatore primario  
- usare massa alimentazione primario ( PGND ).  
Cuidado :  
Medida en el bloque de alimentacion  
- Utilizar la masa del bloque de alimentacion ( PGND ).



Part of board connected to mains supply.  
Partie du châssis reliée au secteur.  
Primärseite des Netzteils.  
Parte dello chassis collegata alla rete.  
Parte del chassis conectar a la red.



Tube	Format	Usys	Jumper	RL65
A51EFS83X191	4:3	126V	JL80	4k7
A59EHU43X15	4:3	132V	JL81	24k
A66EHU43X15	4:3	132V	JL81	24k
A59EGD048X30	4:3	126V	JL80	4k7
A66EGD038X30	4:3	126V	JL80	4k7
A68AGA25X01	4:3	126V	JL80	4k7
A80AEI15X01	4:3	126V	JL80	4k7
W56EGV023X015	16:9	138V	JL82	47k
W66EGV023X015	16:9	138V	JL82	47k
W76EGV023X015	16:9	138V	JL82	47k



T = 20ms

http://www.schematy-tv.prv.pl

(DP) MAIN  
17043.00

# see in CRT 17xxx xx partlist  
\* see in CT 17xxx xx partlist

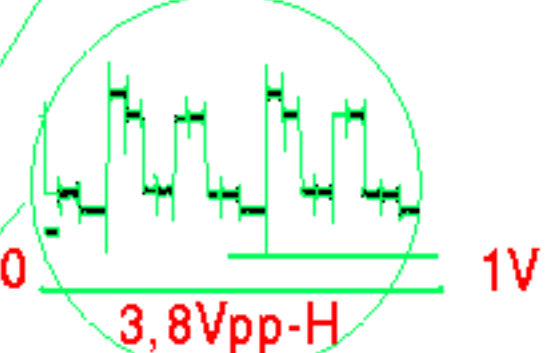
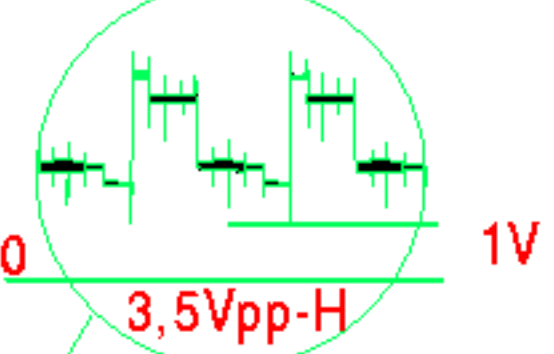
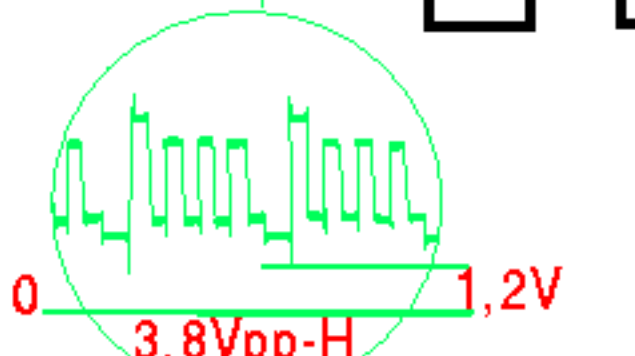
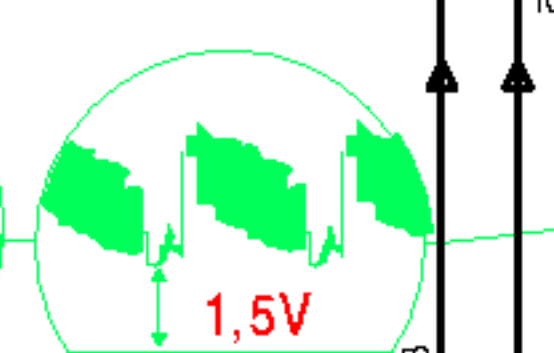
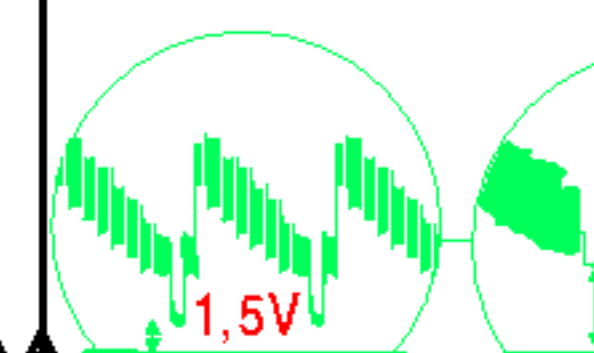
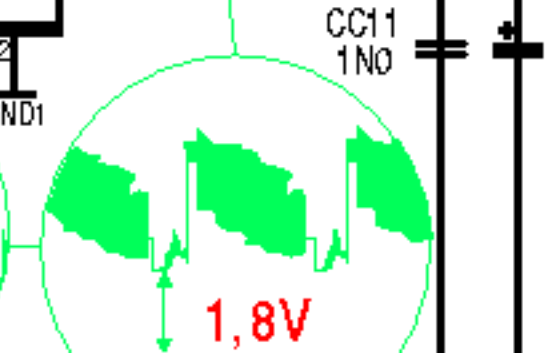
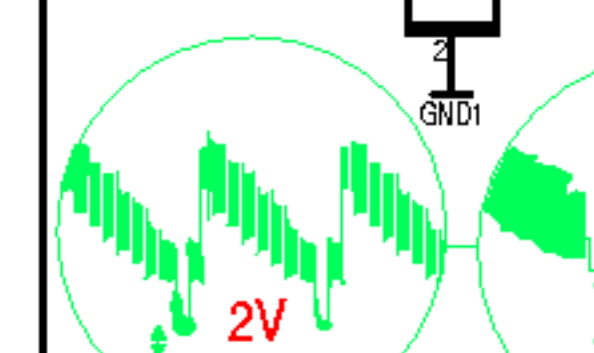
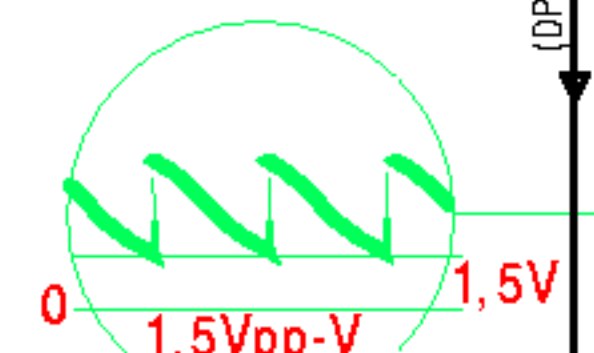
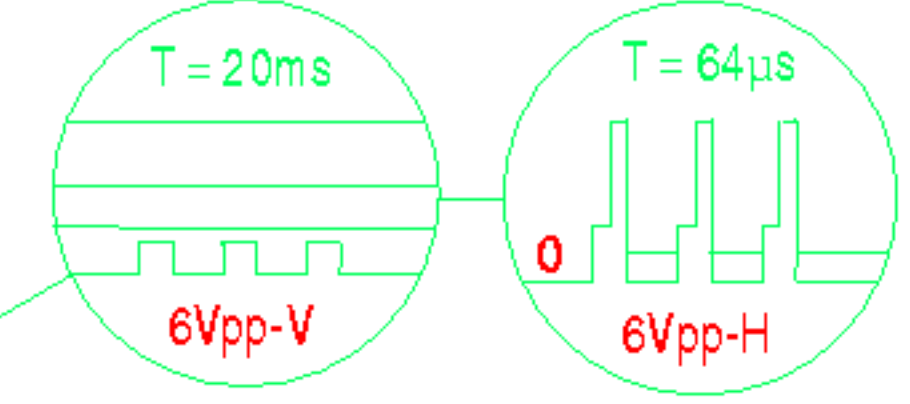


ICC17

# chassis ICC17

Standard	picture carrier [MHz]	sound carrier [MHz]	SWO1	SWO2
B/G	38.90		0	1
I	38.90	32.90/32.35	0	0
D/K	38.90	32.40/32.65	0	1
K'	38.90	32.40/33.05	0	0
L	38.90	32.40/33.05	0	0
L'	33.90	40.40	1	0
AV	X	X	X	X

▲ Sicherheitsbauteil  
 Bei Ersatz nur Originalteil verwenden  
 ▲ Safety Part  
 When repairing, use original part only  
 ▲ Pièce de sécurité  
 N'utilisez que les pièces d'origine



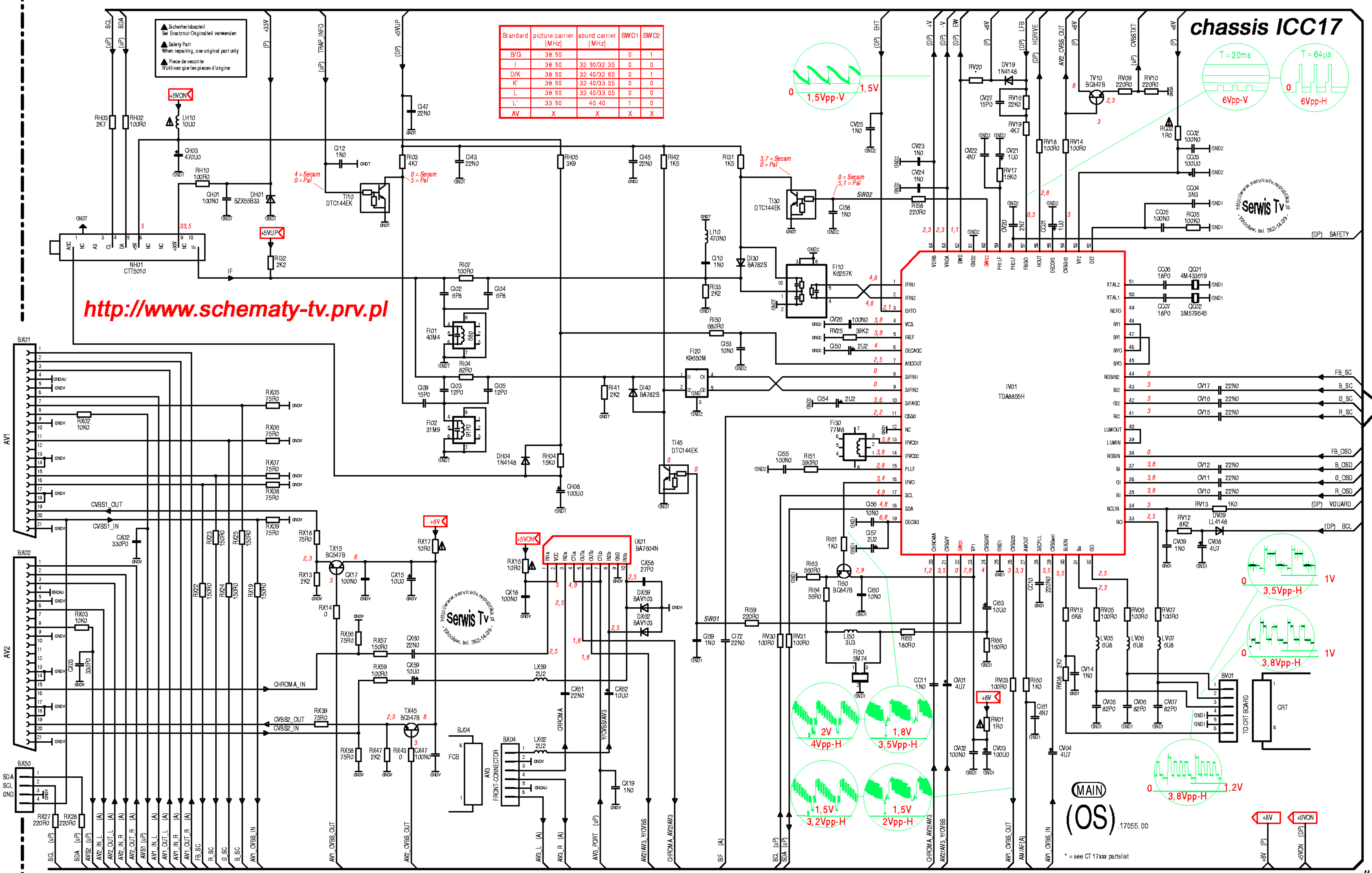
<http://www.schematy-tv.prv.pl>

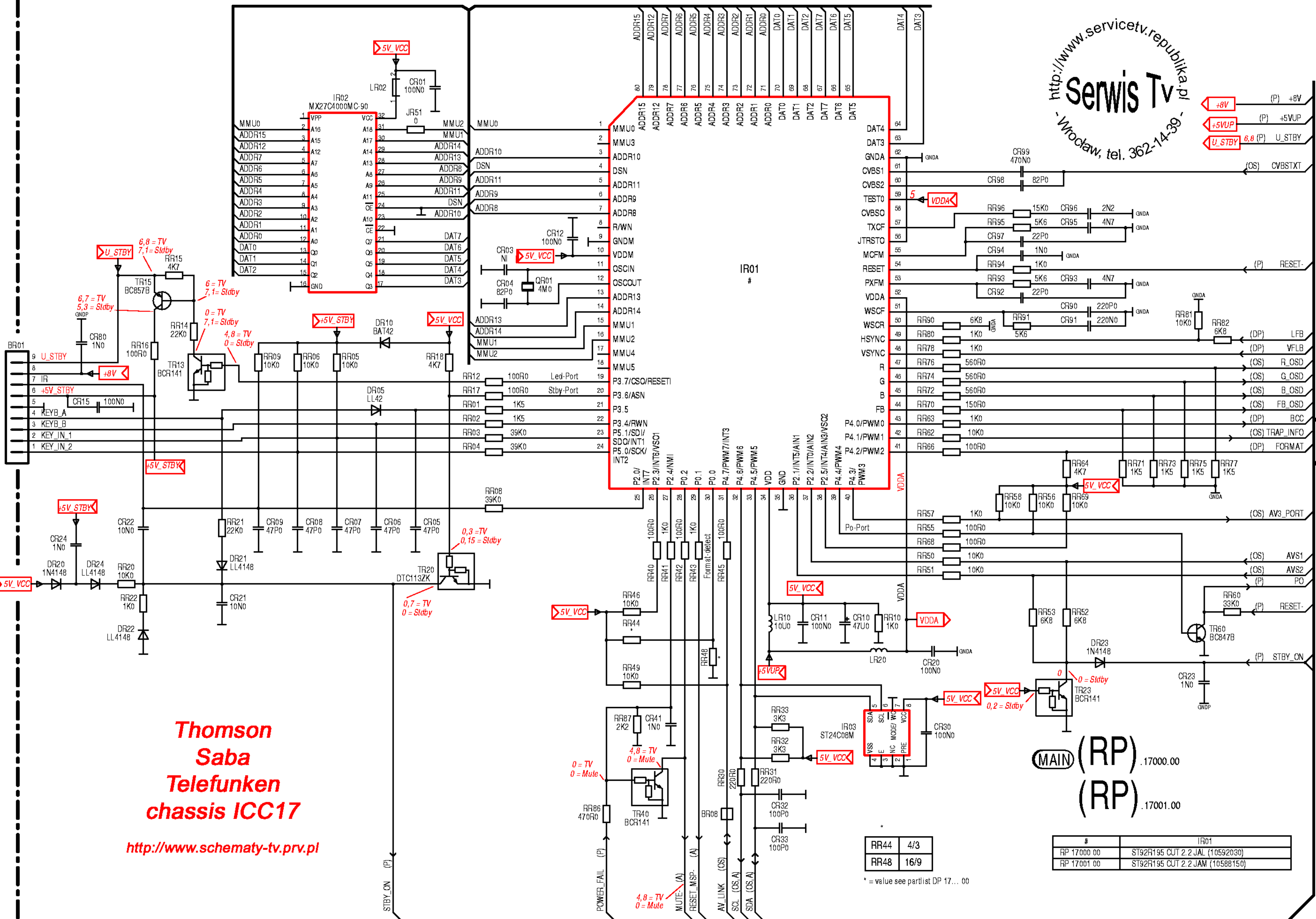
[www.servistv.republika.pl](http://www.servistv.republika.pl)  
 Serwis Tv  
 Warszawa, tel. 262-14-99-9

[www.servistv.republika.pl](http://www.servistv.republika.pl)  
 Serwis Tv  
 Warszawa, tel. 262-14-99-9

(MAIN)  
 (OS) 17055.00

\* = see CT 17xxx partslist





**Thomson  
 Saba  
 Telefunken  
 chassis ICC17**

<http://www.schematy-tv.prv.pl>

RR44	4/3
RR48	16/9

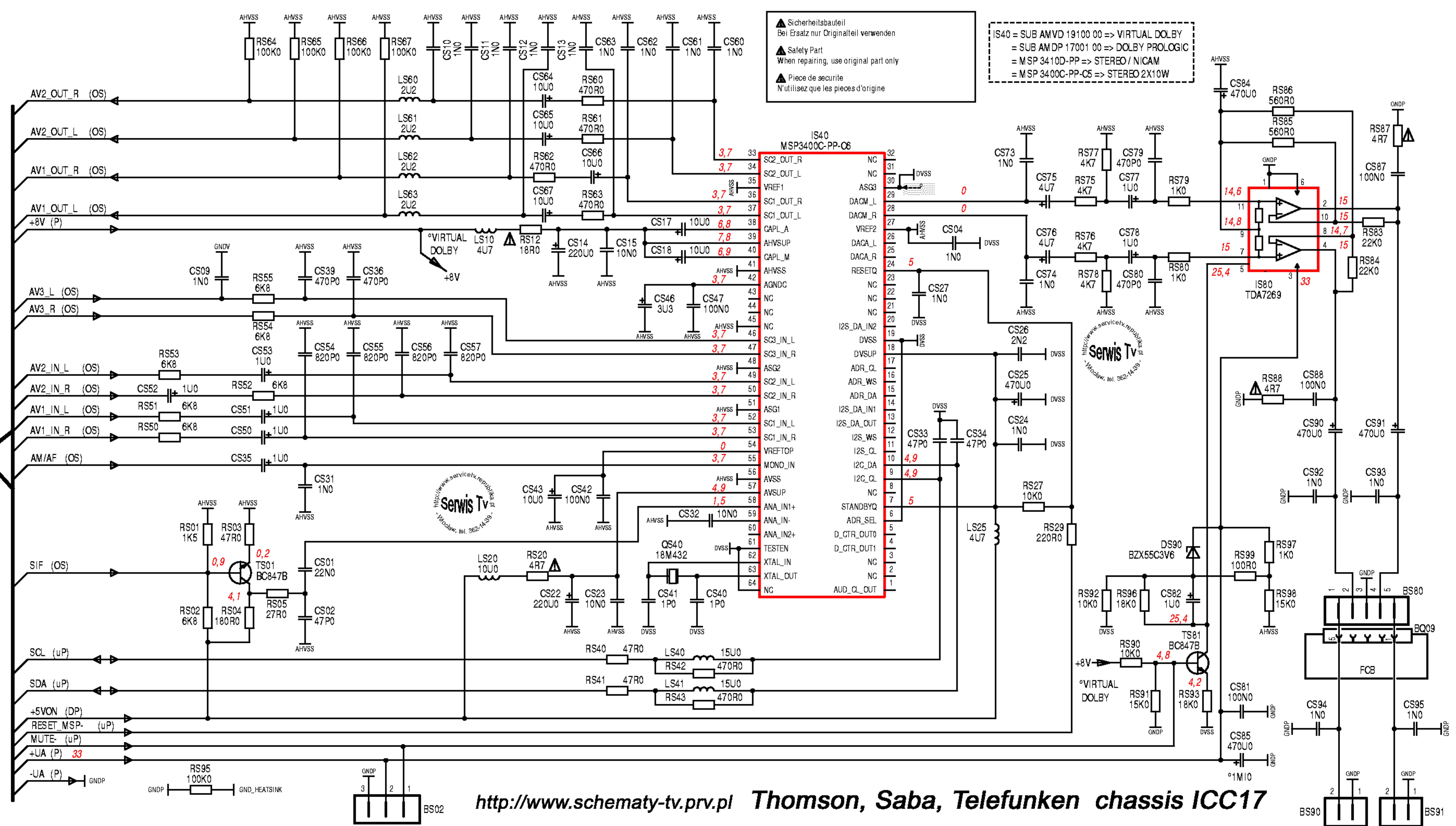
\* = value see partlist DP 17... 00

**(MAIN) (RP) .17000.00**  
**(RP) .17001.00**

#	IR01
RP 17000 00	ST92R195 CUT 2.2 JAL (10592030)
RP 17001 00	ST92R195 CUT 2.2 JAM (10588150)

⚠ Sicherheitsbauteil  
 Bei Ersatz nur Originalteil verwenden  
 ⚠ Safety Part  
 When repairing, use original part only  
 ⚠ Piece de securite  
 N'utilisez que les pieces d'origine

IS40 = SUB AMVD 19100 00 => VIRTUAL DOLBY  
 = SUB AMDP 17001 00 => DOLBY PROLOGIC  
 = M SP 3410D-PP => STEREO / NICAM  
 = M SP 3400C-PP-C5 => STEREO 2X10W



IS40 MSP3400C-PP-C6

33	SC2_OUT_R	NC	32	
34	SC2_OUT_L	NC	31	DVSS
35	VREF1	ASG3	30	
36	SC1_OUT_R	DACM_L	29	0
37	SC1_OUT_L	DACM_R	28	0
38	CAPL_A	VREF2	27	
39	AHVSUP	DACA_L	26	AHVSUP
40	CAPL_M	DACA_R	25	DVSS
41	AHVSS	RESETQ	24	5
42	AGNDC	NC	23	
43	NC	NC	22	
44	NC	NC	21	
45	NC	NC	20	DVSS
46	NC	I2S_DA_IN2	19	DVSS
47	SC3_IN_L	DVSS	18	DVSS
48	SC3_IN_R	DVSUP	17	
49	ASG2	ADR_CL	16	
50	SC2_IN_L	ADR_WS	15	
51	SC2_IN_R	ADR_DA	14	
52	ASG1	I2S_DA_IN1	13	
53	SC1_IN_L	I2S_DA_OUT	12	
54	SC1_IN_R	I2S_WS	11	
55	VREFTOP	I2S_CL	10	4,9
56	MONO_IN	I2C_DA	9	4,9
57	AVSS	I2C_CL	8	
58	AVSUP	NC	7	5
59	ANA_IN1+	STANDBYQ	6	
60	ANA_IN-	ADR_SEL	5	
61	ANA_IN2+	D_CTR_OUT0	4	
62	TESTEN	D_CTR_OUT1	3	
63	XTAL_IN	NC	2	
64	XTAL_OUT	NC	1	
	NC	AUD_CL_OUT		

