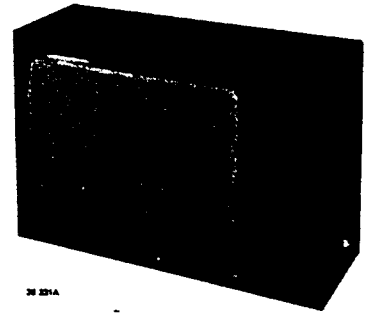


Service
Service
Service

02Z/10Z/22Z

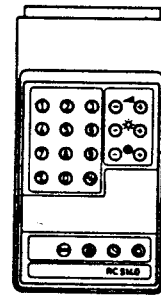
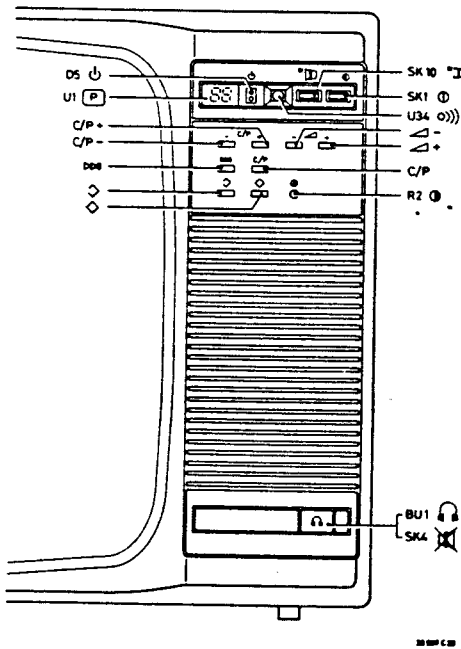


Service Manual



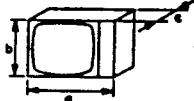

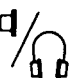

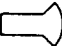


CHASSIS K35

REPAIR METHOD:
"DIGITAL CONTROLS TRDIV"
CIRCUIT DESCRIPTION:
"DIGITAL CONTROLS TRDIV"

+
For /22Z: 22AV1060/01



RC5140

| | | | | | | | | | | | | | |
|--|----------------------|---|-----------|---|-------------------------------|------------------|----------------------|-------------------|-------------------|-----------------|-----------------|-------------------|-------------------|
|  | → 220 V~/120 W |  | → 5 W |  | → a x b x c 760x495x448 mm | | | | | | | | |
|  | → 75 Ω coax |  | → 8-600 Ω |  | → | | | | | | | | |
|  | → A66-540X |  | → 6.3mm |  | → > 47 kΩ/1 V | | | | | | | | |
| | | | | <table border="1"> <tr> <td>UV414 (/02Z/22Z)</td> <td>V317LO/U324LO (/10Z)</td> </tr> <tr> <td>VHFa : 44- 88 MHz</td> <td>VHFa : 47-111 MHz</td> </tr> <tr> <td>b : 162-230 MHz</td> <td>b : 111-293 MHz</td> </tr> <tr> <td>UHF : 470-862 MHz</td> <td>UHF : 470-862 MHz</td> </tr> </table> | | UV414 (/02Z/22Z) | V317LO/U324LO (/10Z) | VHFa : 44- 88 MHz | VHFa : 47-111 MHz | b : 162-230 MHz | b : 111-293 MHz | UHF : 470-862 MHz | UHF : 470-862 MHz |
| UV414 (/02Z/22Z) | V317LO/U324LO (/10Z) | | | | | | | | | | | | |
| VHFa : 44- 88 MHz | VHFa : 47-111 MHz | | | | | | | | | | | | |
| b : 162-230 MHz | b : 111-293 MHz | | | | | | | | | | | | |
| UHF : 470-862 MHz | UHF : 470-862 MHz | | | | | | | | | | | | |

Documentation Technique Service Dokumentation Documentazione di Servizio Huolto-Ohje Manual de Servicio Manual de Servicio


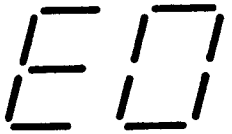

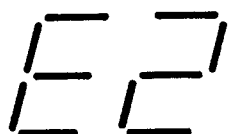
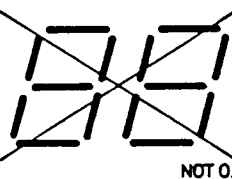
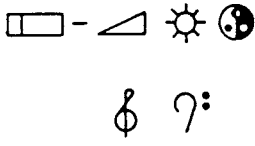
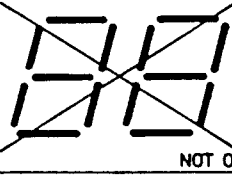
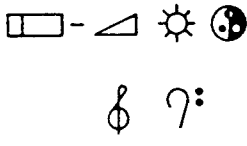

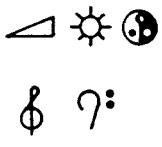
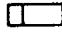

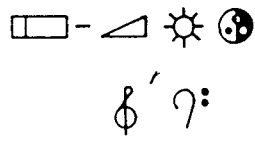

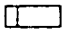
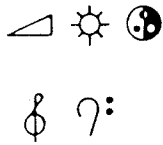


Subject to modification
4822 727 14638

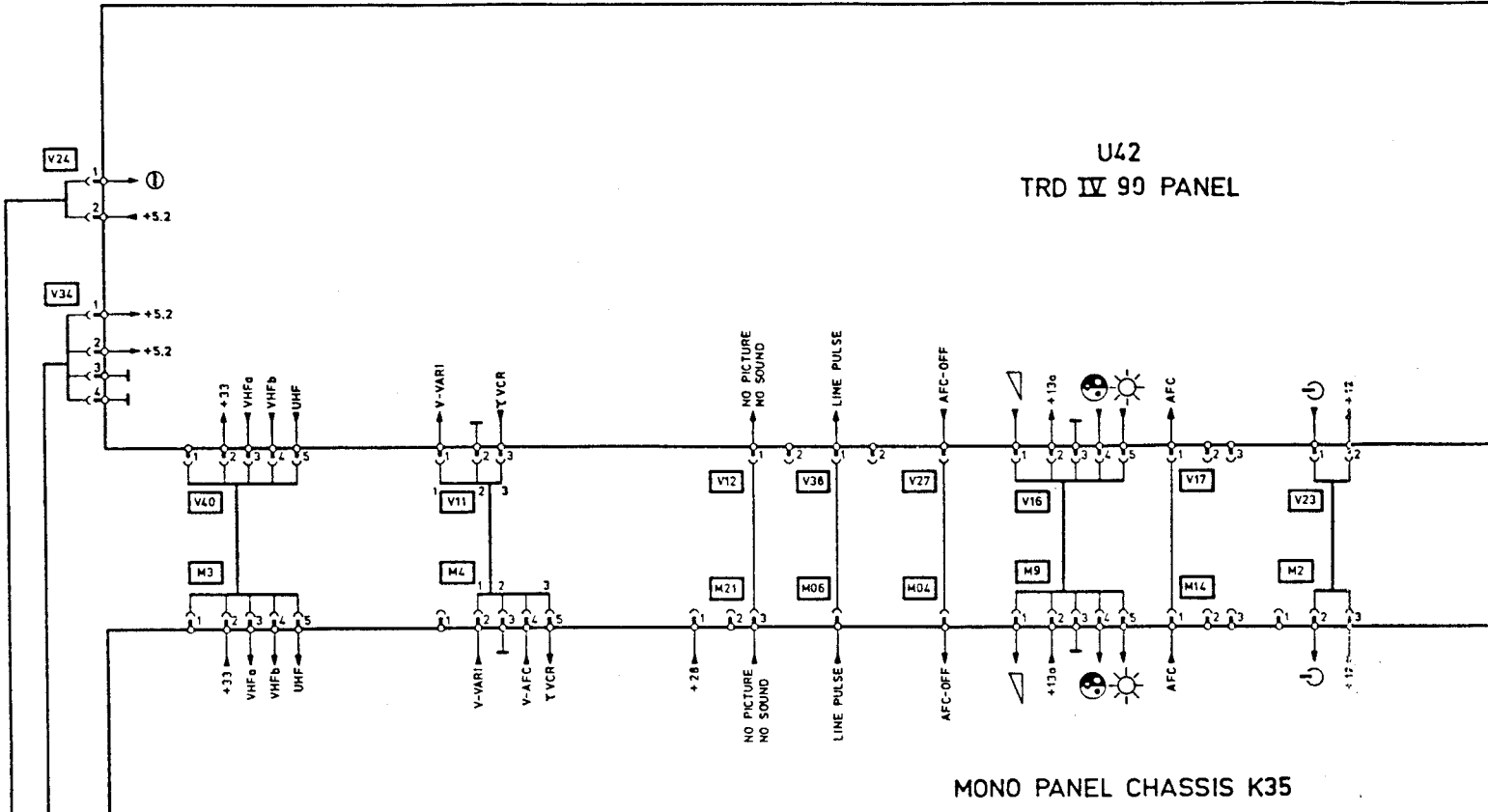
Printed in The Netherlands

(GB) (NL) (F) (D) (I)

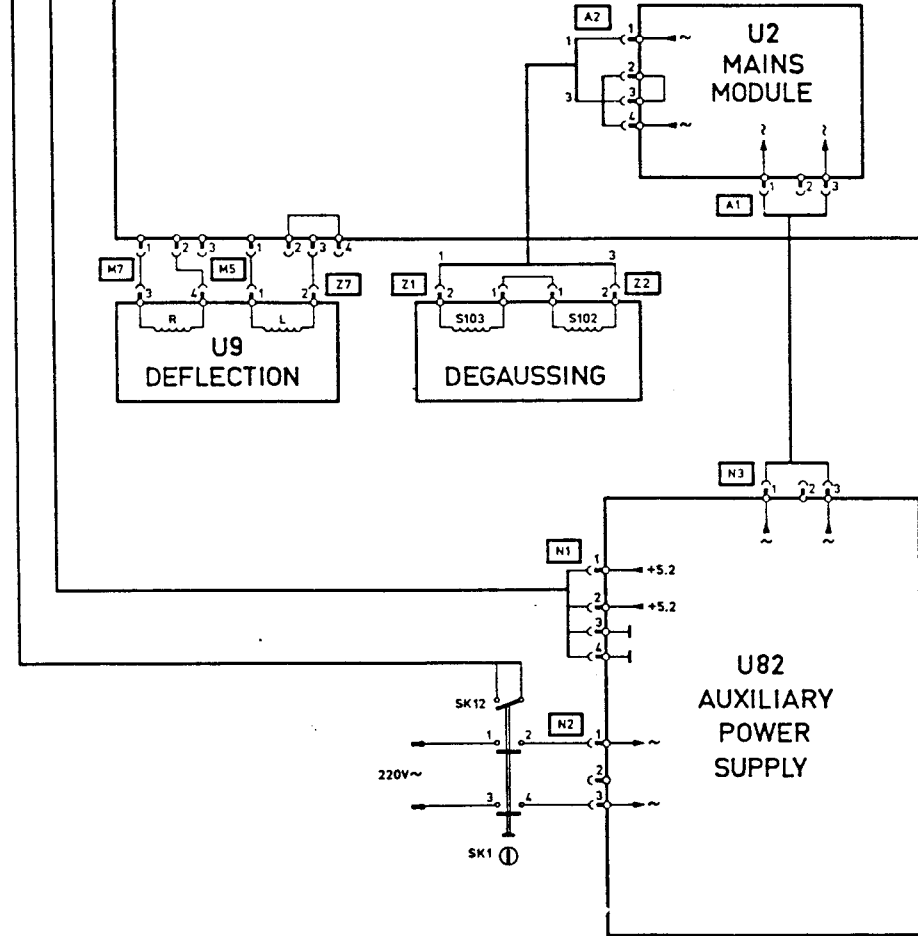
QUICK DIAGNOSIS TABLE TRDIV

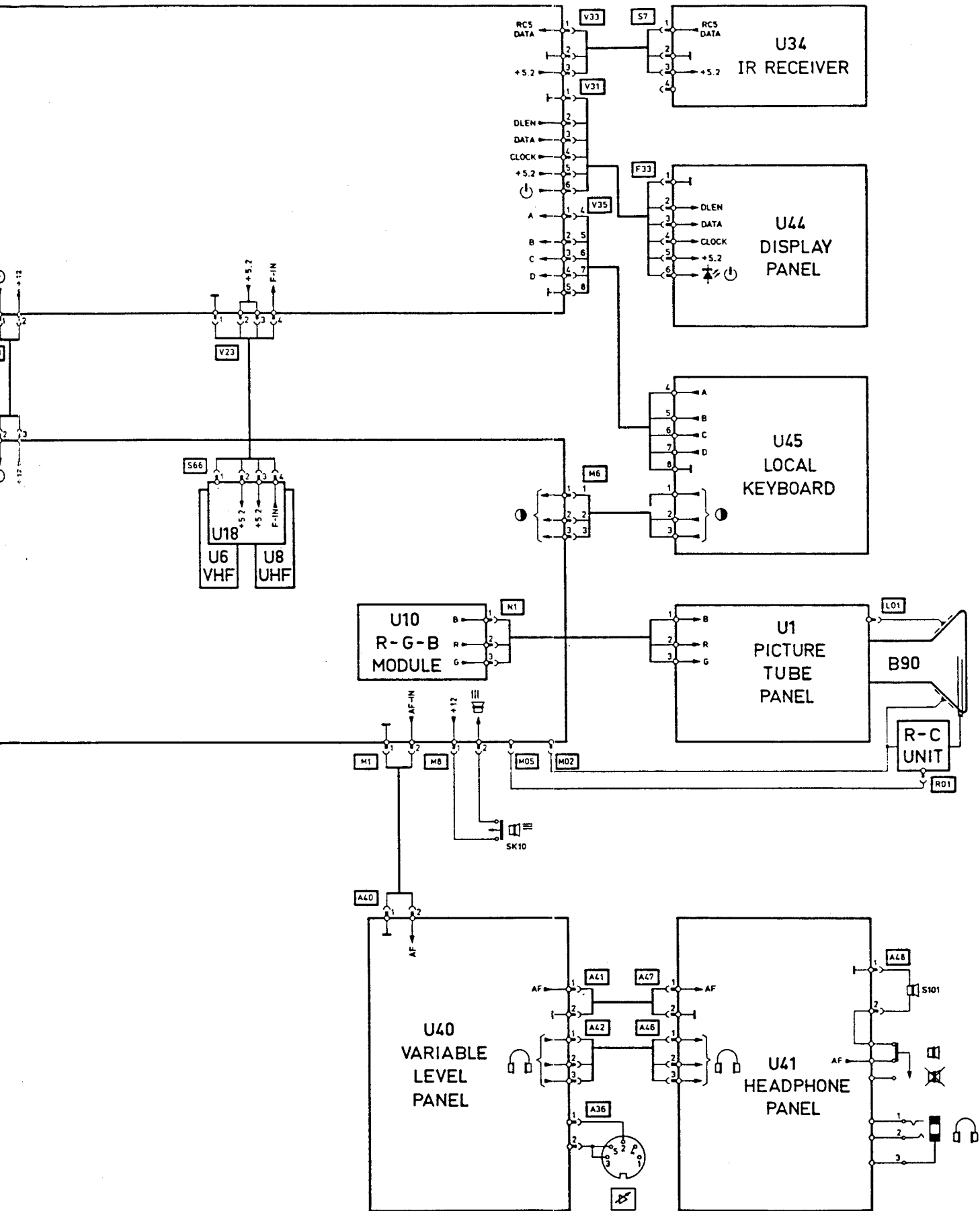
| INDICATION ON DISPLAY AUF ANZEIGE | INCORRECT FUNCTIONING UNRICHTIGES FUNKTIONIEREN | CORRECT FUNCTIONING RICHTIGES FUNKTIONIEREN | POSSIBLE DEFECTIVE COMPONENT EVENTUELLE SCHADHAFTE KOMPONENTE |
|---|---|--|--|
| |  | | RC TRANSMITTER FERNBEDIENUNGSSENDER RC RECEIVER FERNBEDIENUNGS- EMPFÄNGER TS26, TS105, IC20 |
|  | | | U15, IC20 -22 |
|  | | | TS39, TS40, TS42, TS170 D35, D37, D39, D170, D171 U25 +13a |
|  | | | U34, TS26 |
|  |  | | IC20 |
|  | |  | U32 |
|  |  |  | U5 |
|  |  | | U93 |
|  |  |  | IC99 TS90, TS110, TS150, TS151 U4, U93 +33a |

U42
TRD IX 90 PANEL

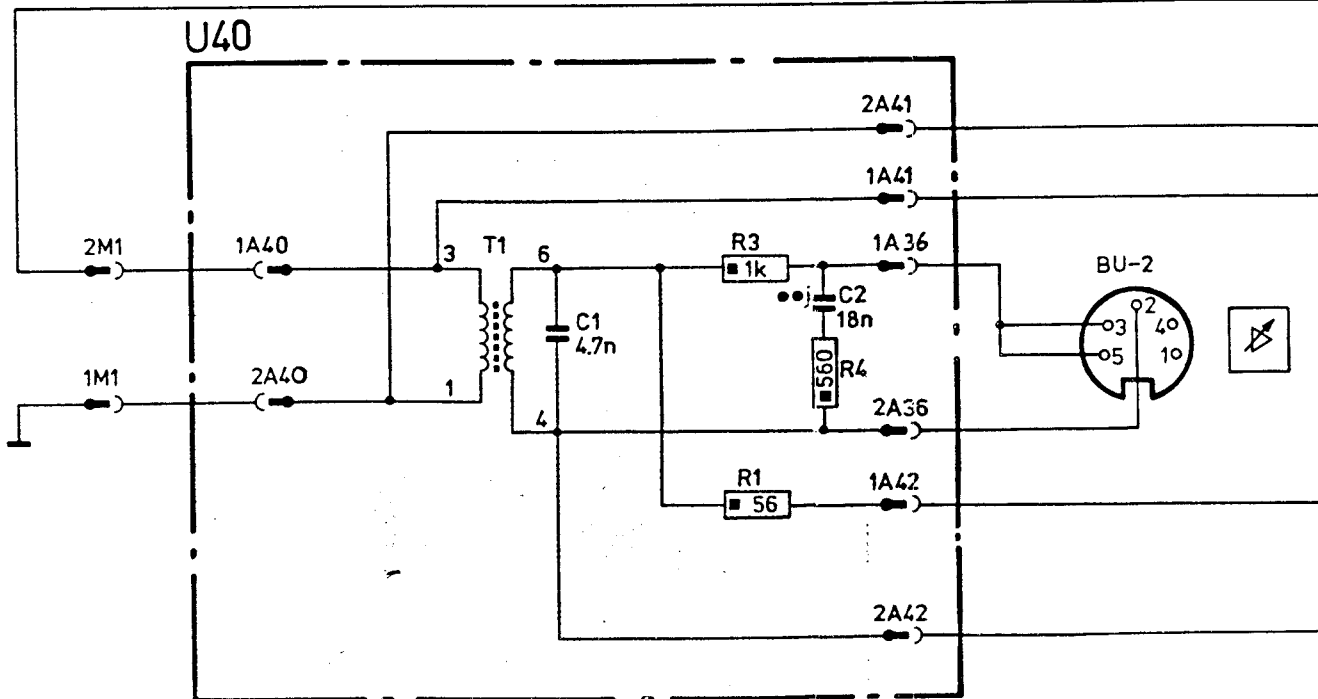
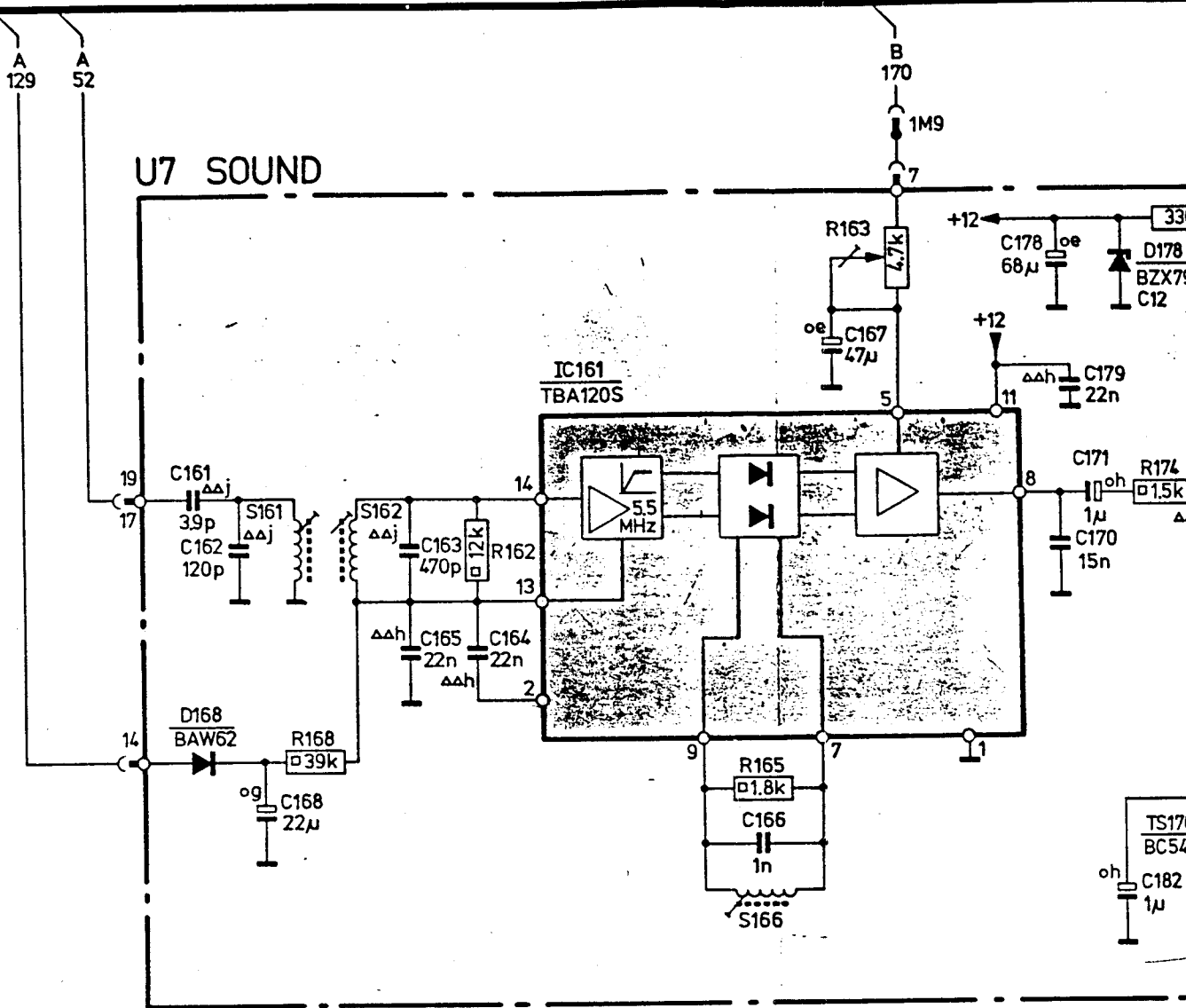


MONO PANEL CHASSIS K35





A+B



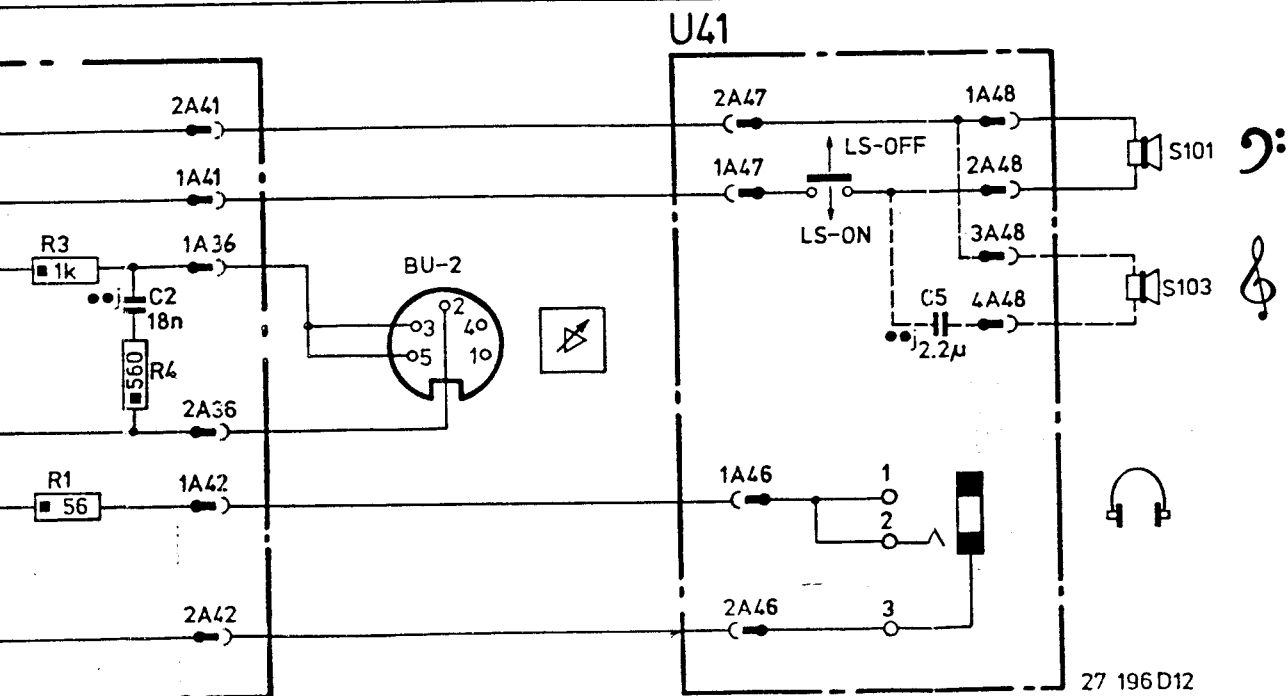
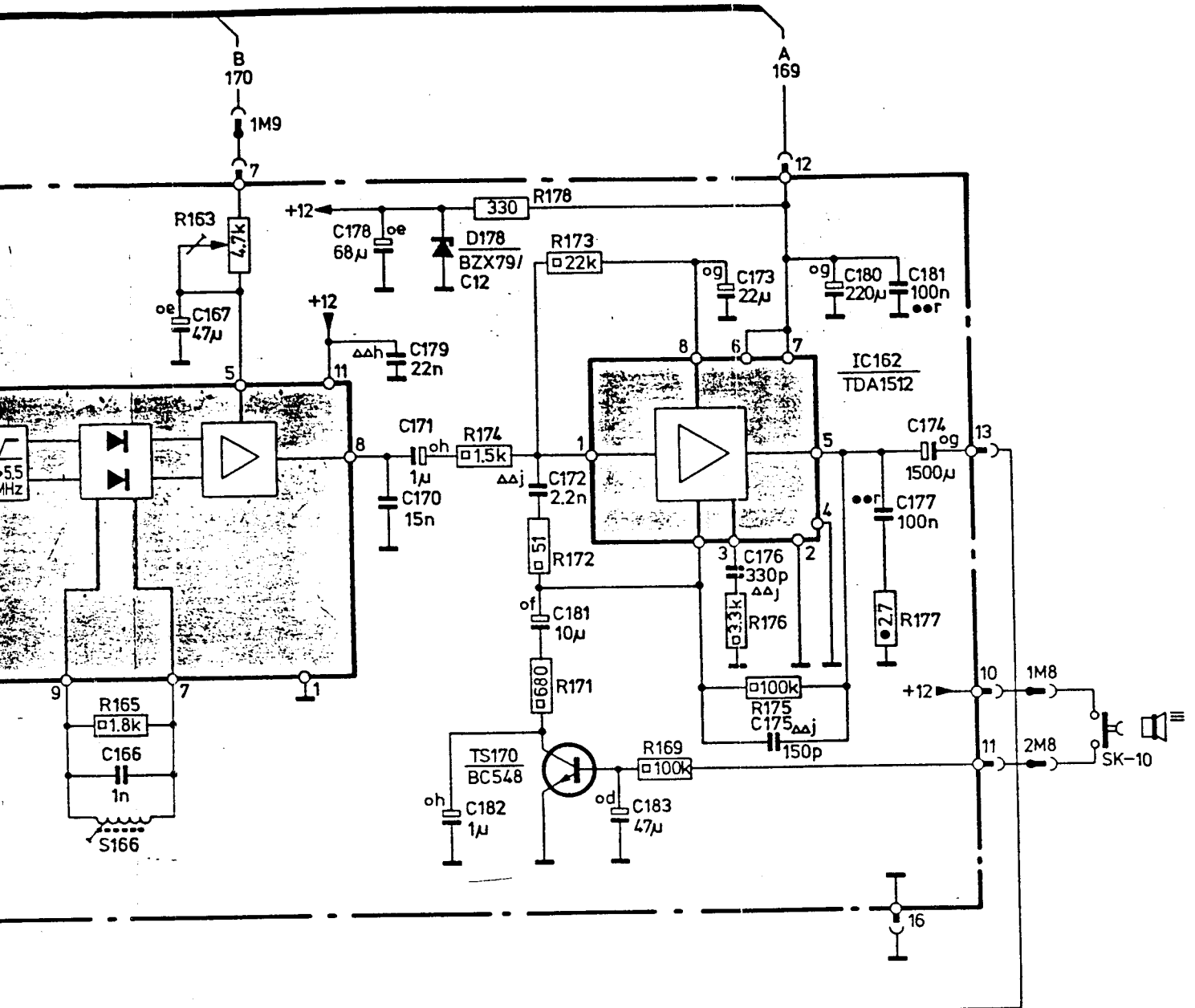
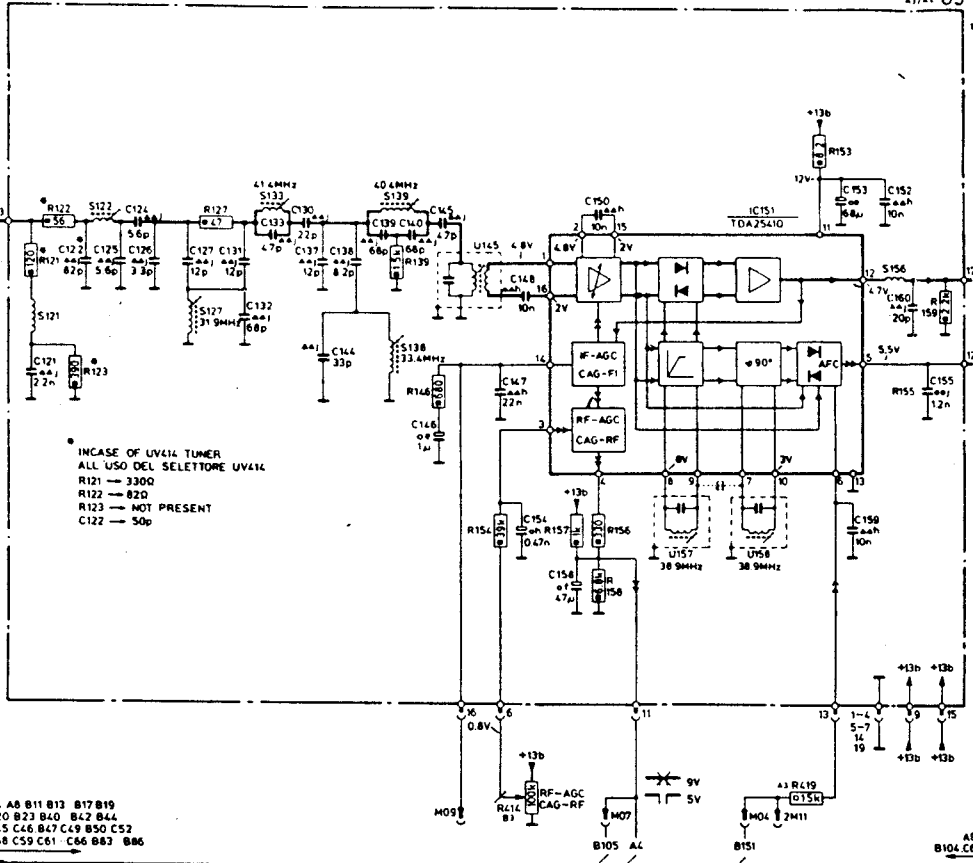
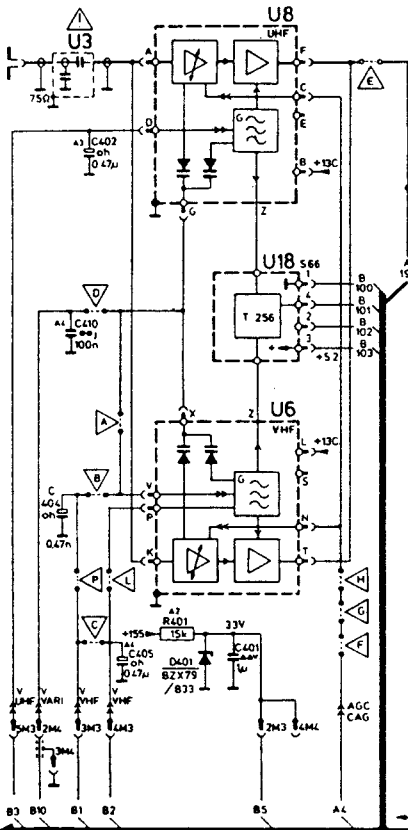


DIAGRAM-SCHALTBILO-SHEMA A

CHANNEL SELECTOR
KANALWAHLER
SELETTORE CANALE

IF AMPL. DET. AGC
ZF VERST. DEM. AVR
AMPL. FI. RIVEL. CAG

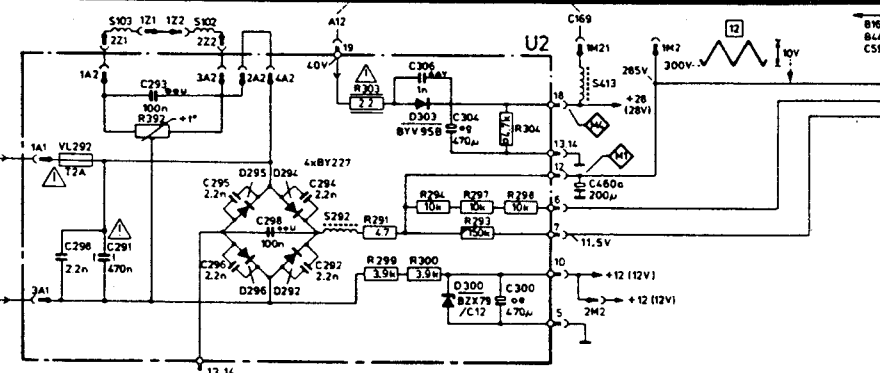
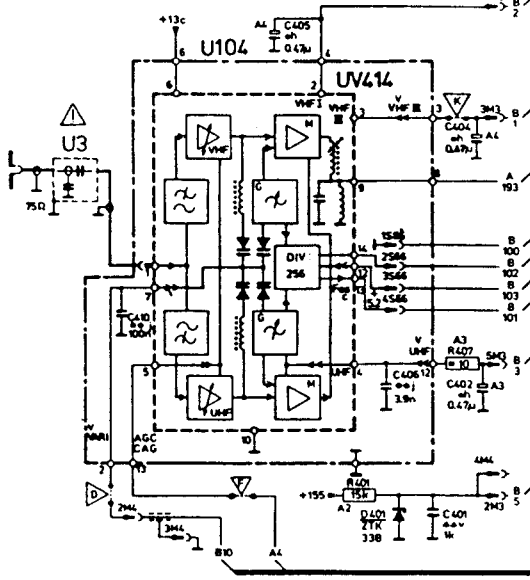


IN CASE OF UV414 TUNER
ALL USO DEL SELETTORE UV414
R121 — 3300
R122 — 820
R123 — NOT PRESENT
C122 — 50p

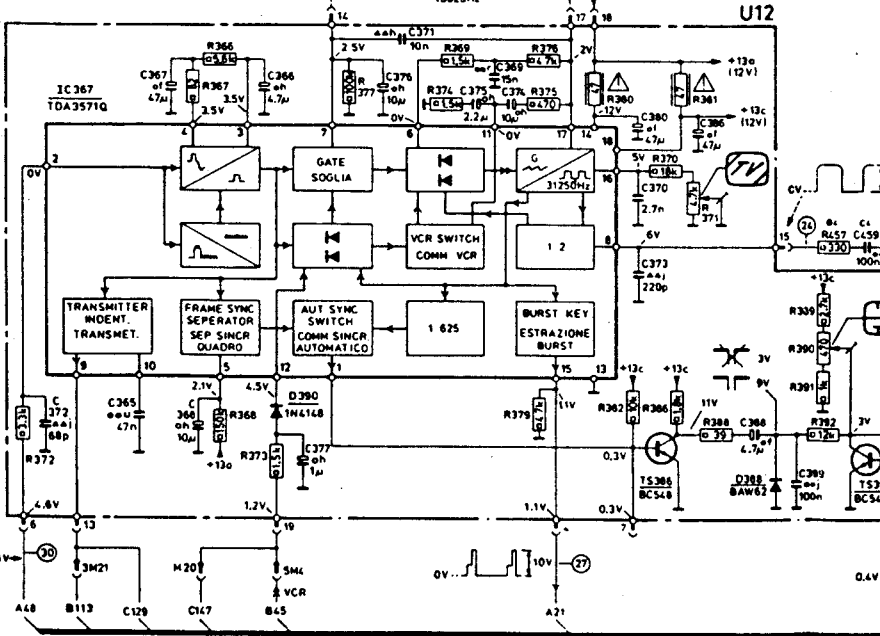
A4 A8 B11 B13 B17 B19
B20 B23 B40 B42 B44
B45 C46 B47 C49 B50 C52
C58 C59 C61 C66 B67 B68

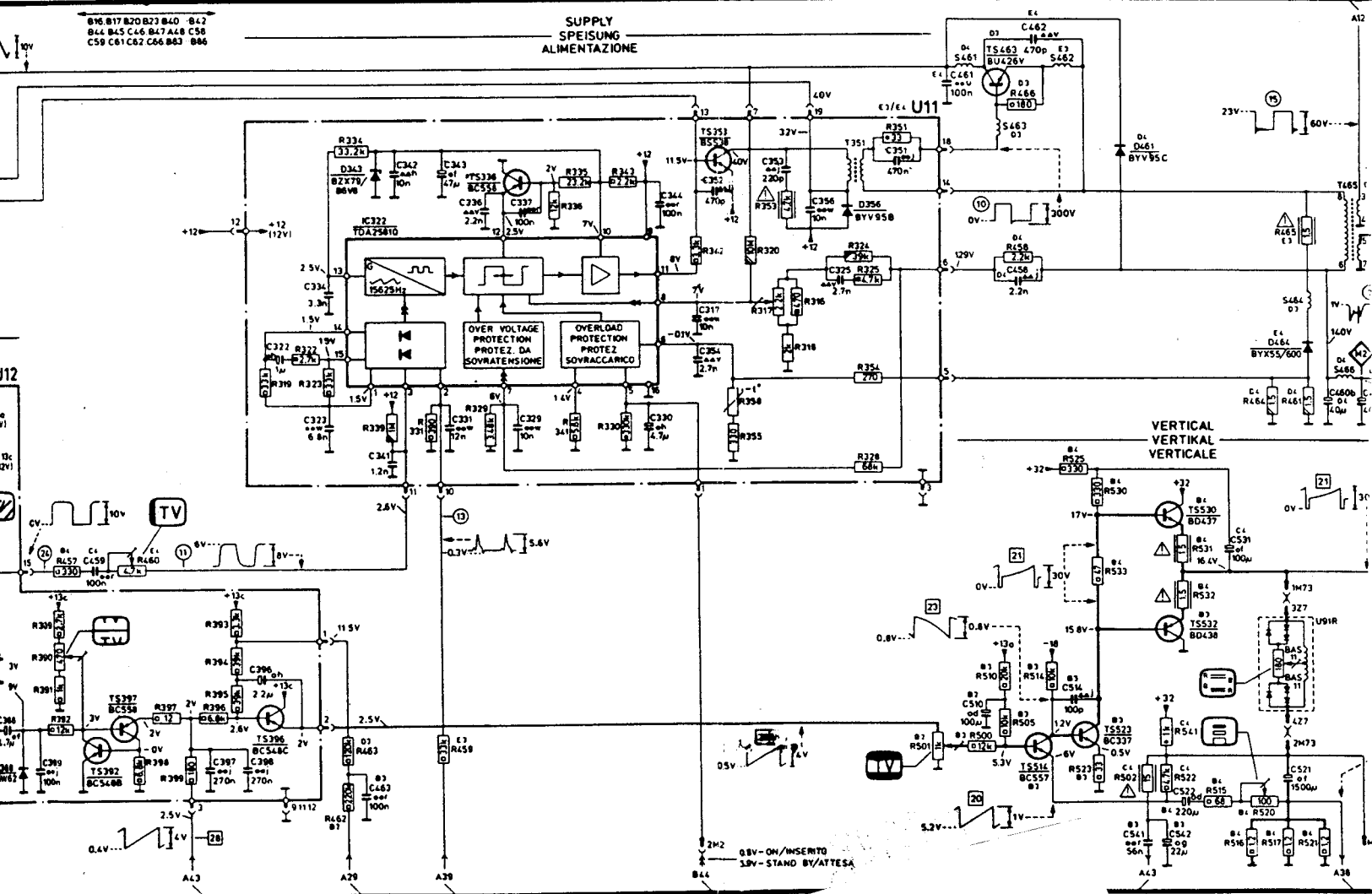
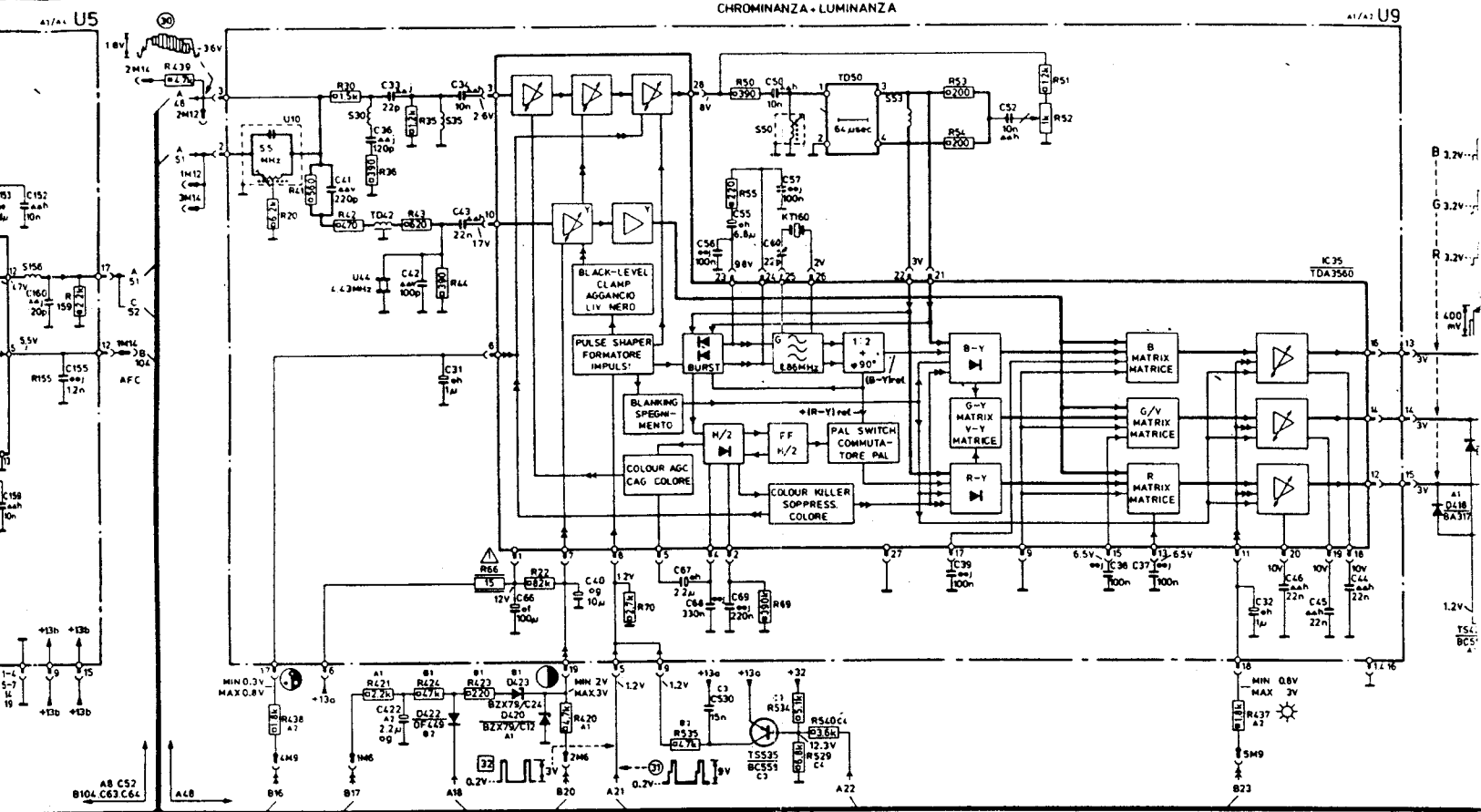
B+C

IN CASE OF UV414 TUNER
ALL USO DEL SELETTORE UV414



SYNCHRONISATION
SINCRONIZZAZIONE





R-G-B AMPLIFIER
R-O-B VERSTÄRKER
AMPLIFICATORE R-V-B

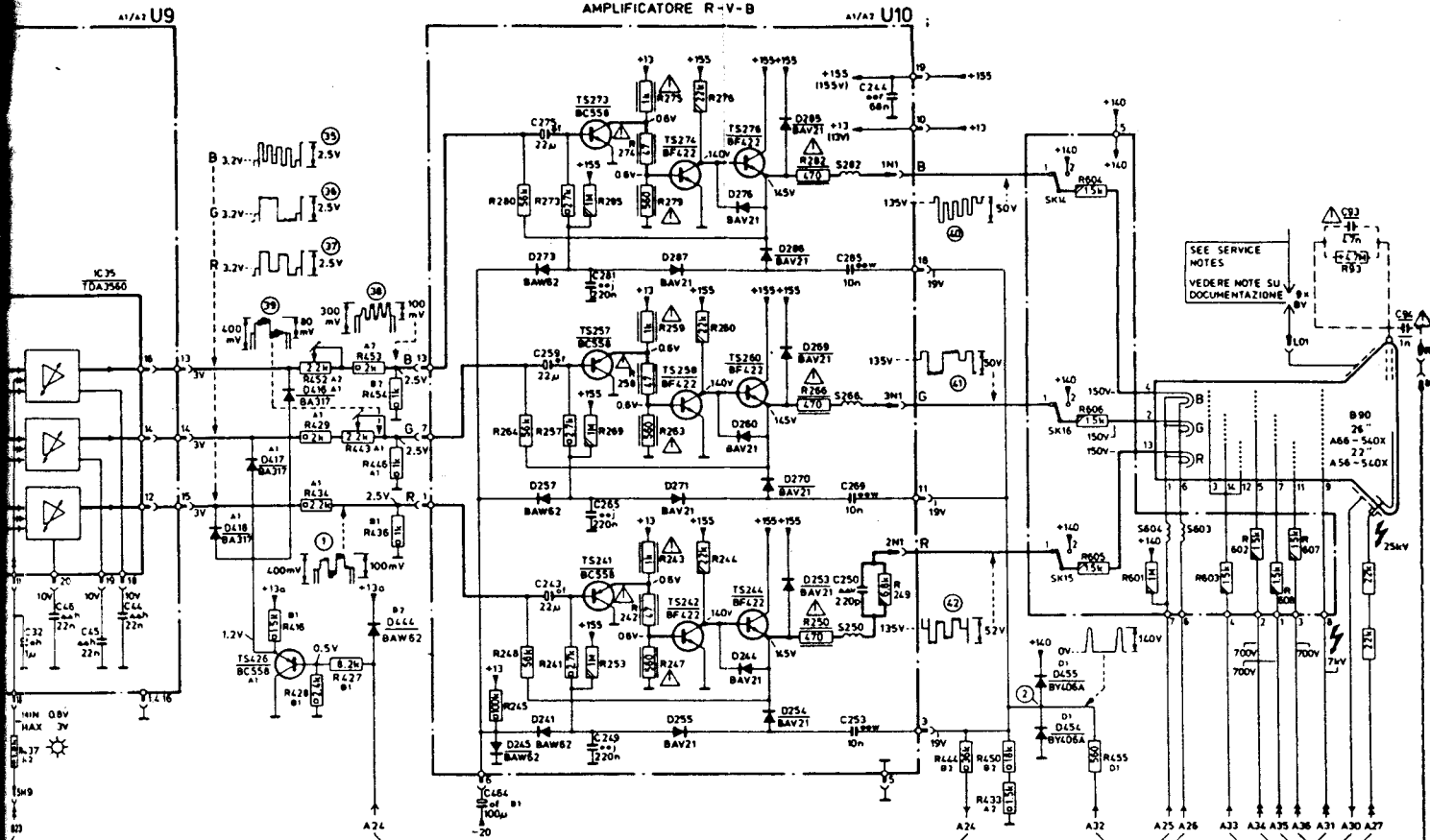
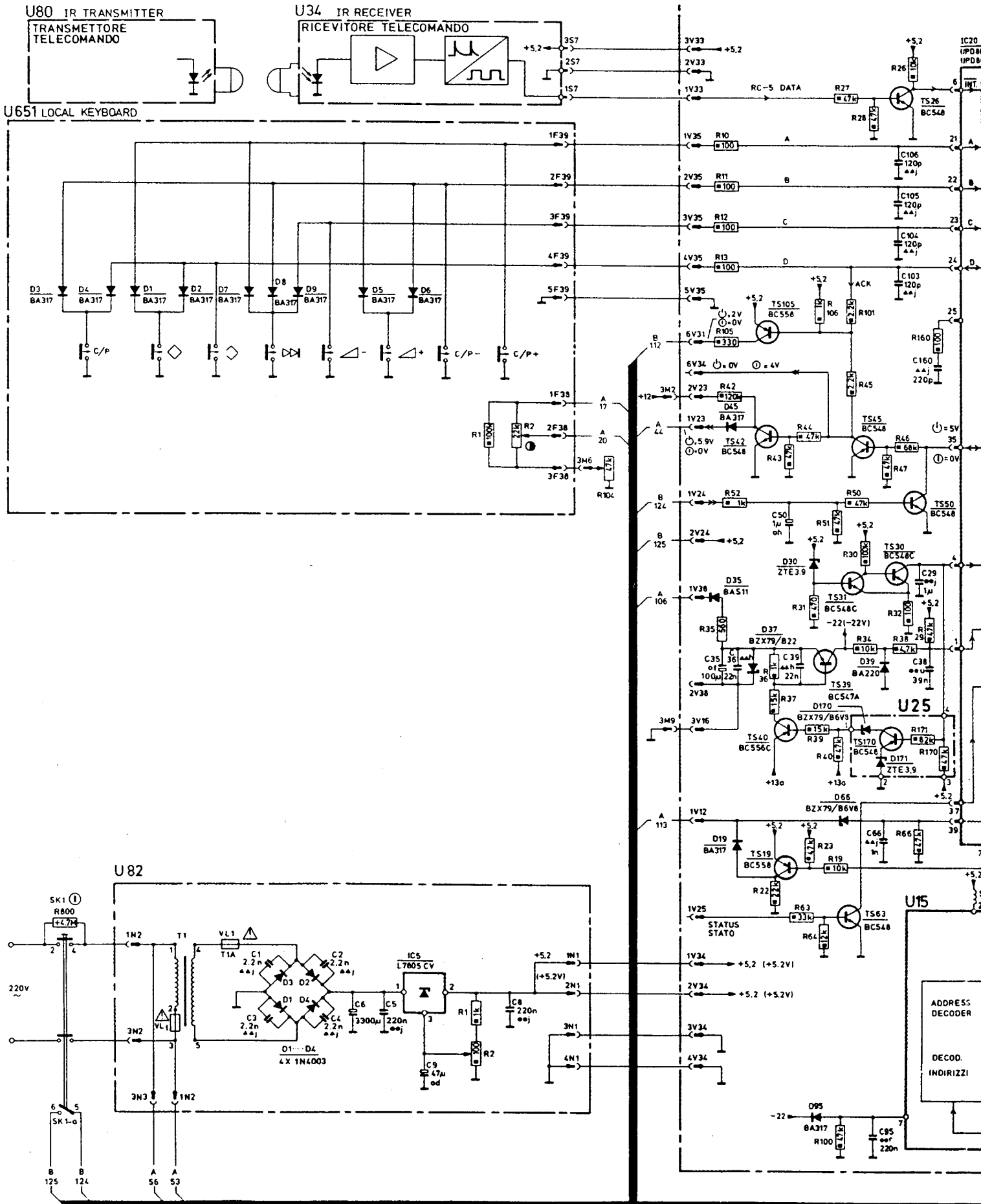
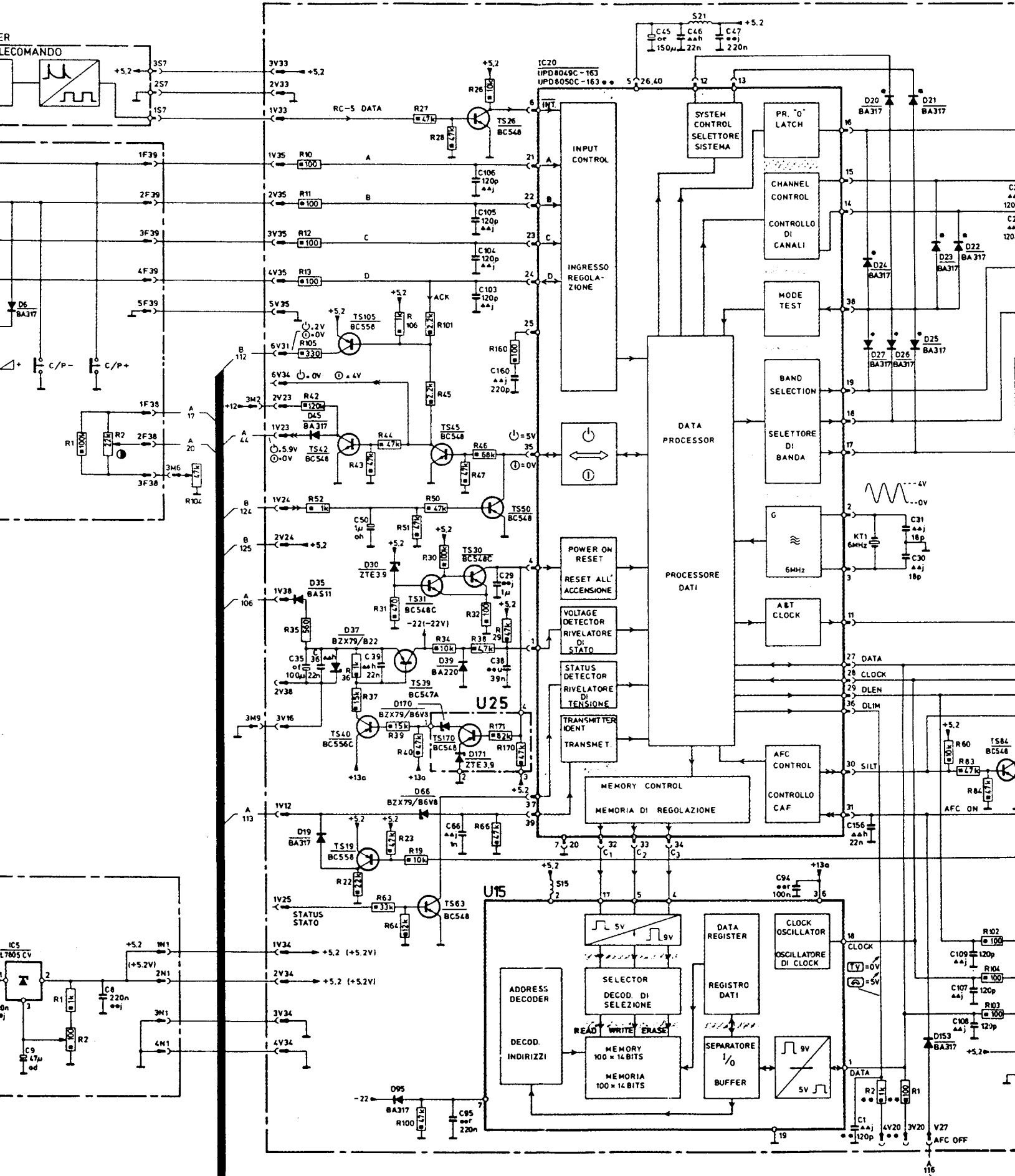
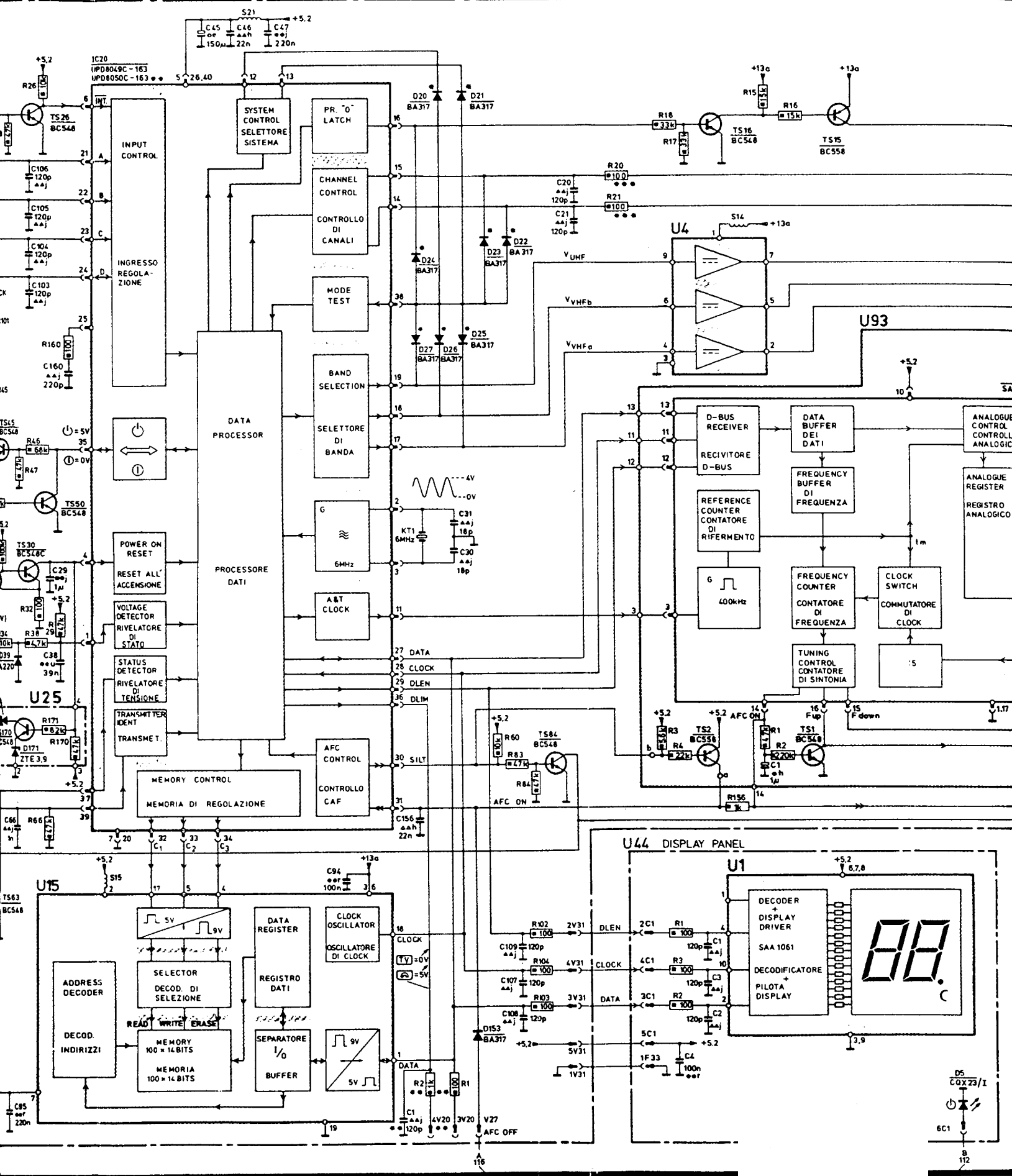


DIAGRAM-SCHLTBILD-SCHEMA B

U42 TRD IV-90 PANEL







OPTIONAL

NOT PRESENT IN MO

