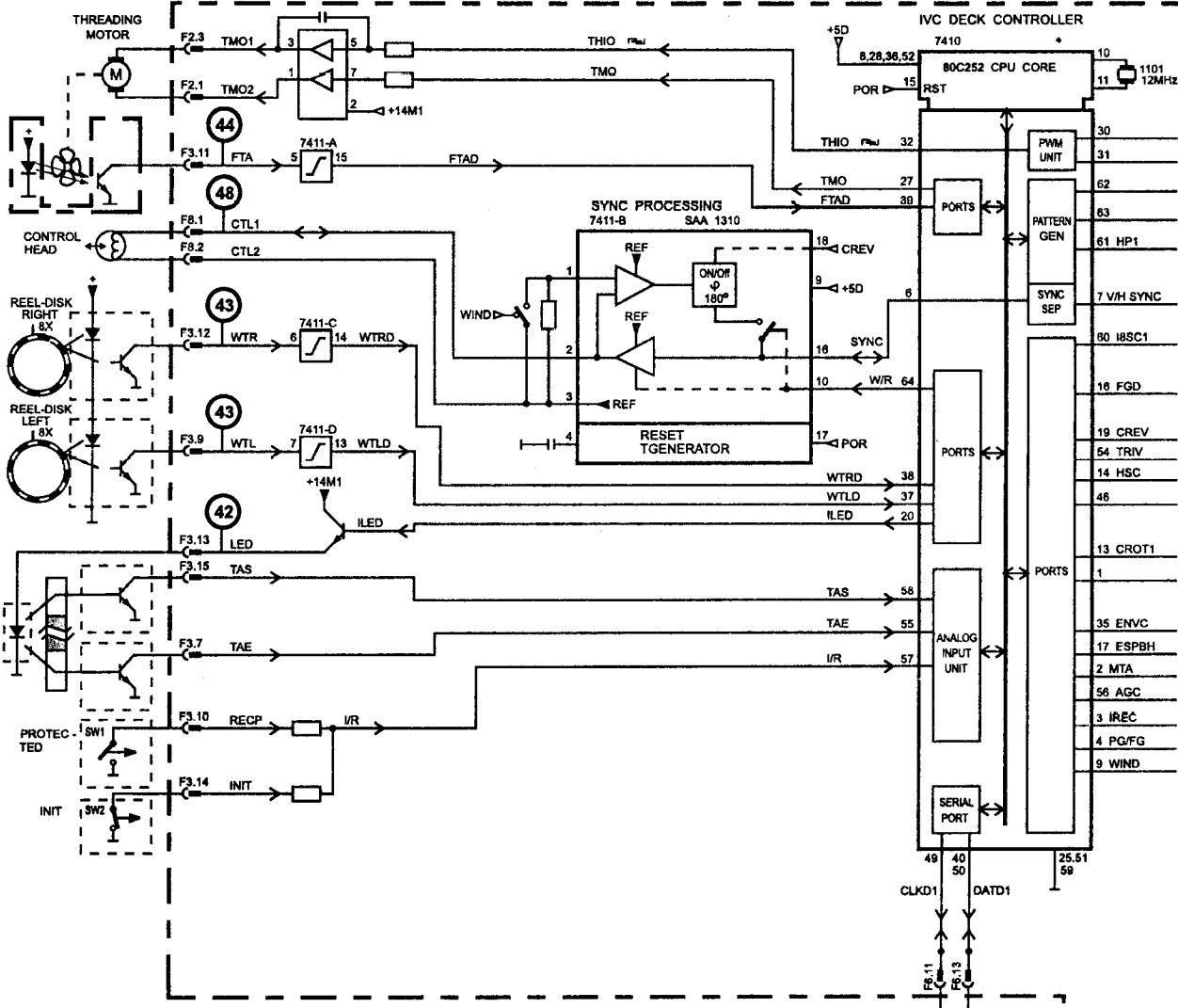
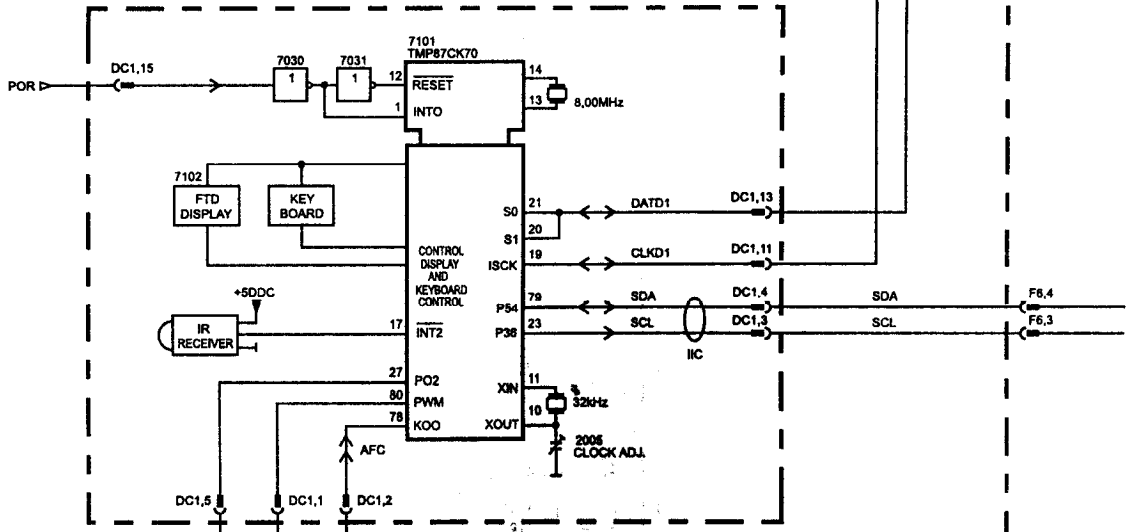


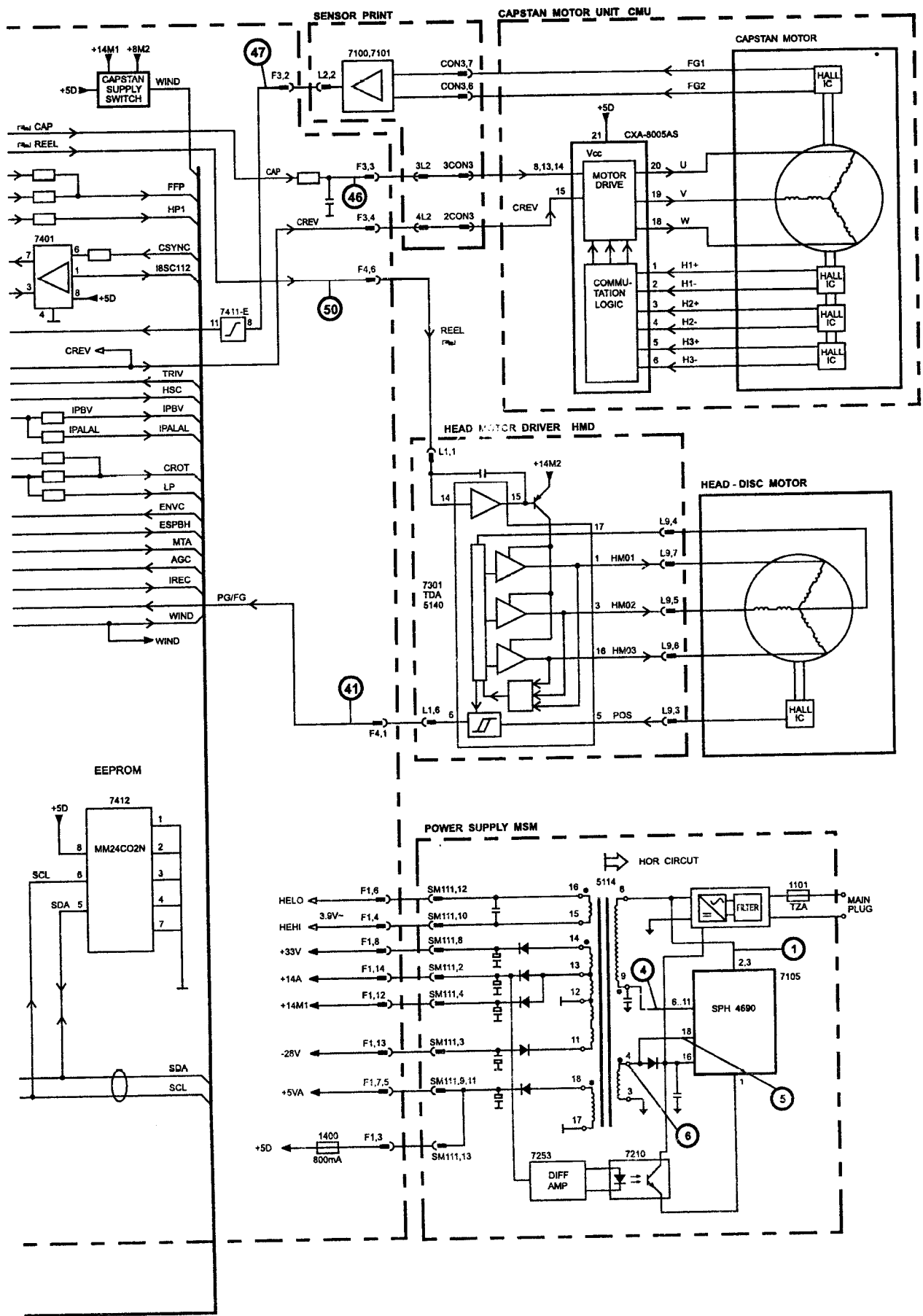
FAMILY BOARD DECK ELECTRONICS MFB-DE



OPERATING PANEL MDC



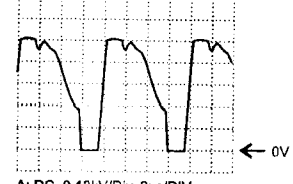
TO BLOCKDIAGRAM
SIGNAL ELECTRONICS
AUDIO LINEAR
FRONTEND





A: DC, 0.2V/Div, 2us/Div
IC7105-(2) / IC7110-(2)

1



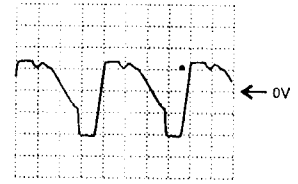
A: DC, 0.12kV/Div, 2us/Div
IC7105-(6)...-(11)/Drain7135

4



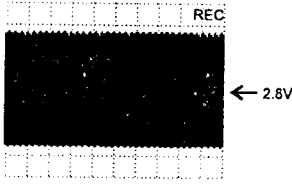
A: DC, 0.2V/Div, 2us/Div
IC7105-(18) / IC7110-(8)

5



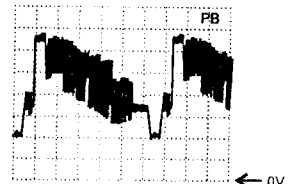
A: DC, 10V/Div, 2us/Div
Trafo 5114-(4)

6



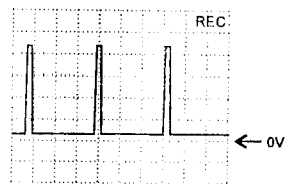
A: AC, 0.2V/Div, 2us/Div
IC 7050 Pin 40

11



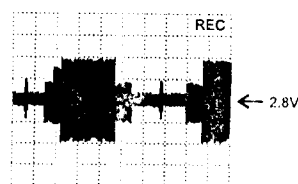
A: DC, 0.5V/Div, 10us/Div
IC 7051 Pin 34, VSB

13



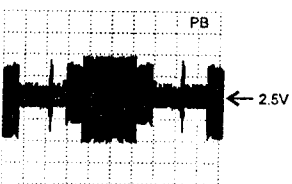
A: DC, 1.0V/Div, 20us/Div
IC 7705 Pin 32, CSYNC

14



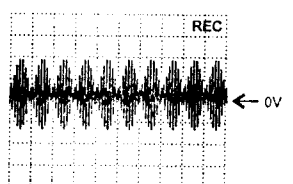
A: AC, 0.1V/Div, 10us/Div
IC 7051 Pin 15

21



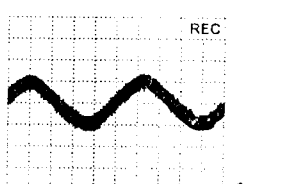
A: AC, 0.2V/Div, 10us/Div
IC 7051 Pin 15

21



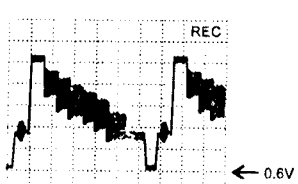
A: DC, 0.1V/Div, 0.2 us/Div
Tuner 1720 Pin 17

26



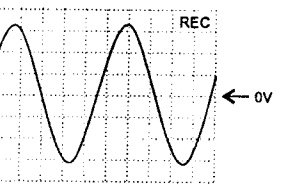
A: DC, 0.5V/Div, 0.2ms/Div
IC 7702 Pin 9, AFV

27



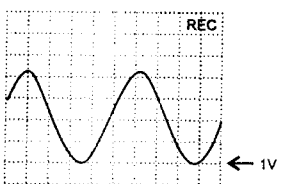
A: DC, 0.2V/Div, 10us/Div
Transistor 7705-Emitter, VFV

28



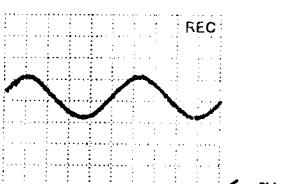
A: DC, 0.2V/Div, 0.2ms/Div
Capacitor 2611, AMLP

31



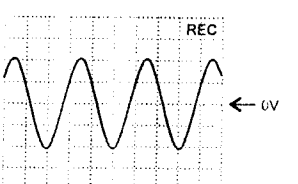
A: DC, 0.2V/Div, 0.2ms/Div
R3611, AMLR

32



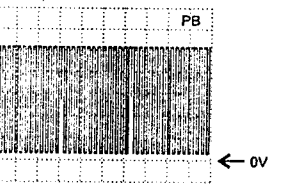
A: DC, 1 V/Div, 0.2 ms/Div
IC 7601 Pin 17

34



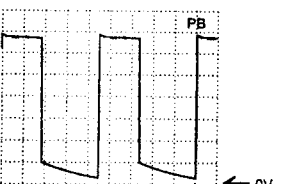
A: DC, 0.1V/Div, 5us/Div
Connector F7, 2, MEH1

35



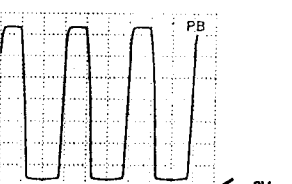
A: DC, 1V/Div, 10ms/Div
Connector F4, 1, PG/FG

41



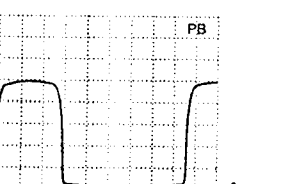
A: DC, 0.5V/Div, 0.5ms/Div
Connector F3, 13, LED

42



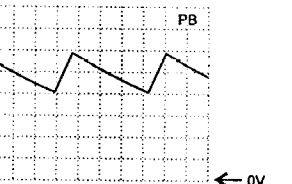
A: DC, 0.5V/Div, 2ms/Div
Connector F3, 12, WTR Wind

43



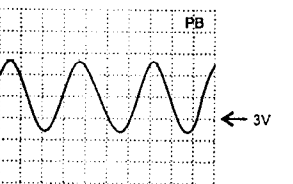
A: DC, 1 V/Div, 2ms/Div
Connector F3, 11, FTA Threading

44



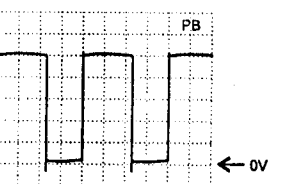
A: DC, 0.2V/Div, 10us/Div
Connector F3, 3, CAP

46



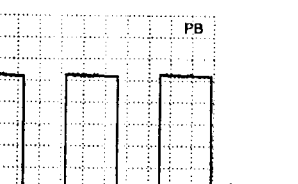
A: AC, 0.5V/Div, 0.2ms/Div
Connector F3, 2, FG

47



A: DC, 1V/Div, 10ms/Div
IC7411 Pin 2, CTL1 REC

48



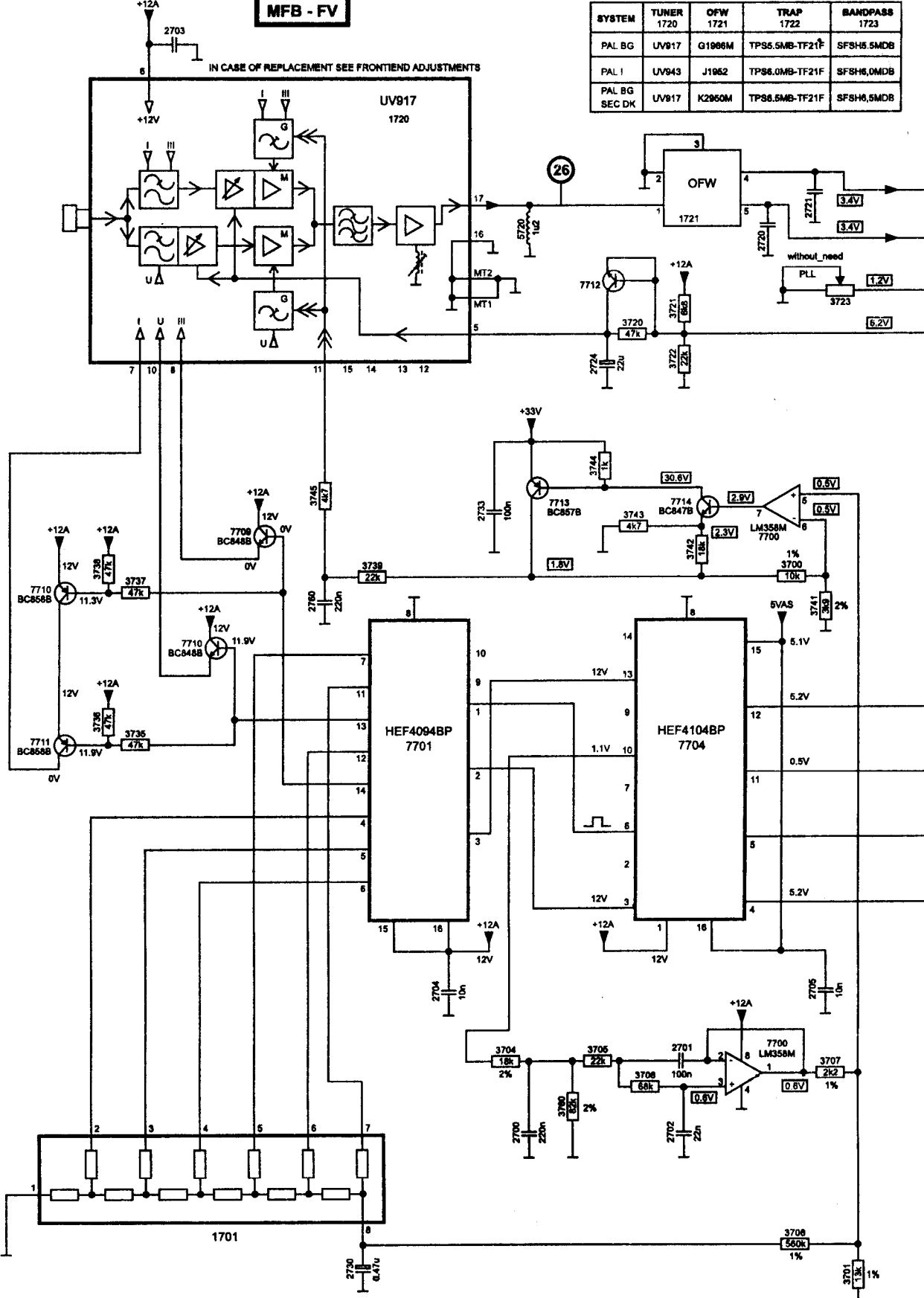
A: DC, 1 V/Div, 10us/Div
IC7410 Pin 31, REEL

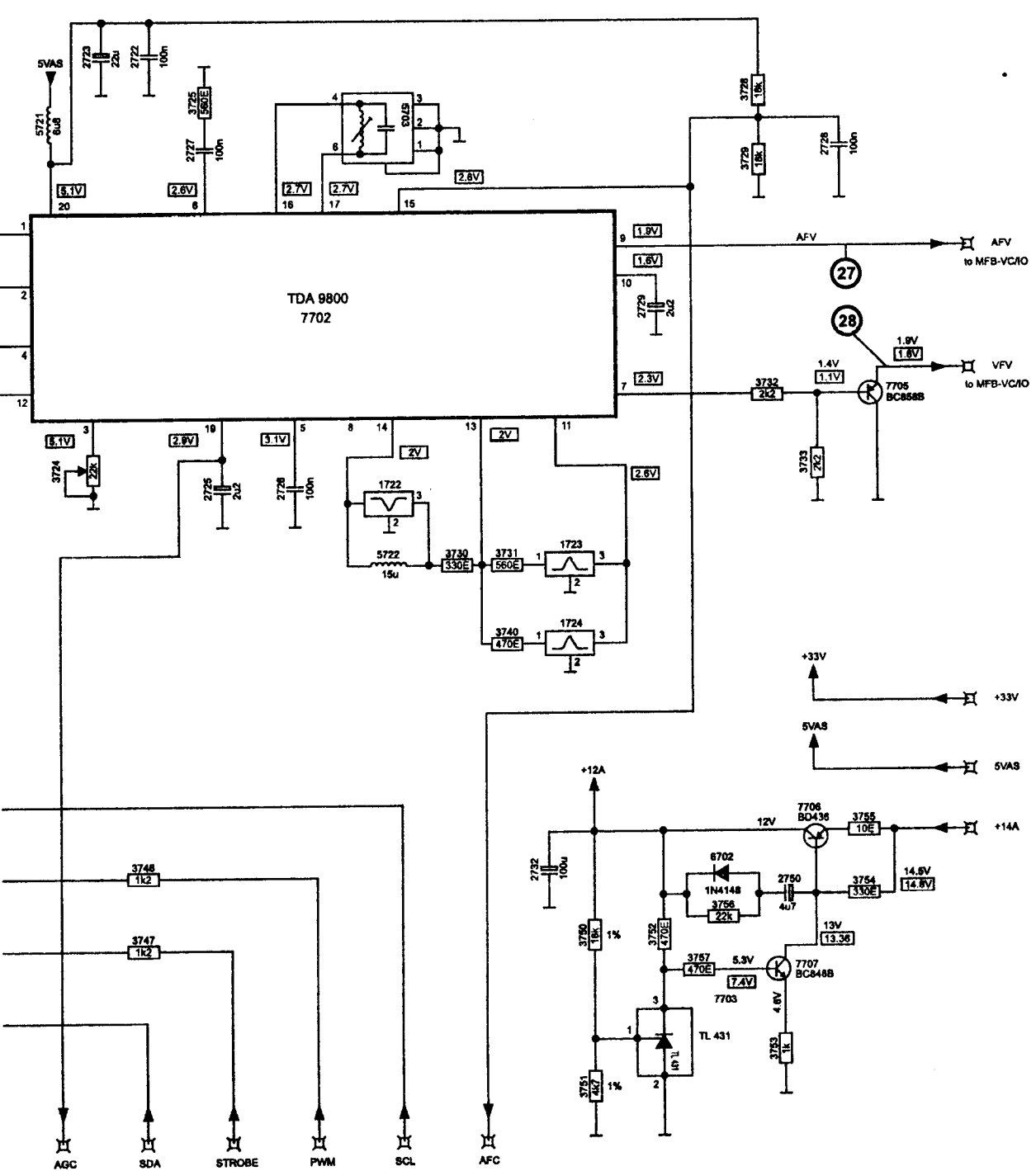
50

MFB - FV

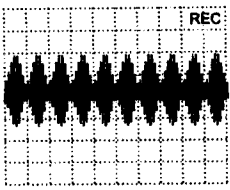
SYSTEM	TUNER	OFW	TRAP	BANDPASS
PAL BG	UV917	G1986M	TPS6.5MB-TF21F	SFSH6.5MDB
PAL I	UV943	J1962	TPS6.0MB-TF21F	SFSH6.0MDB
PAL BG SEC DK	UV917	K2960M	TPS6.5MB-TF21F	SFSH6.5MDB

IN CASE OF REPLACEMENT SEE FRONTIEND ADJUSTMENTS



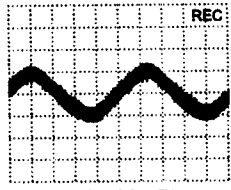


...V MEASURED IN PLAYBACK MODE
 ...V MEASURED IN RECORD MODE
 ○ OSCILLOGRAMS



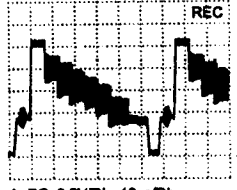
A: DC, 0.1V/Div, 0.2 us/Div
Tuner 1720 Pin 17

26



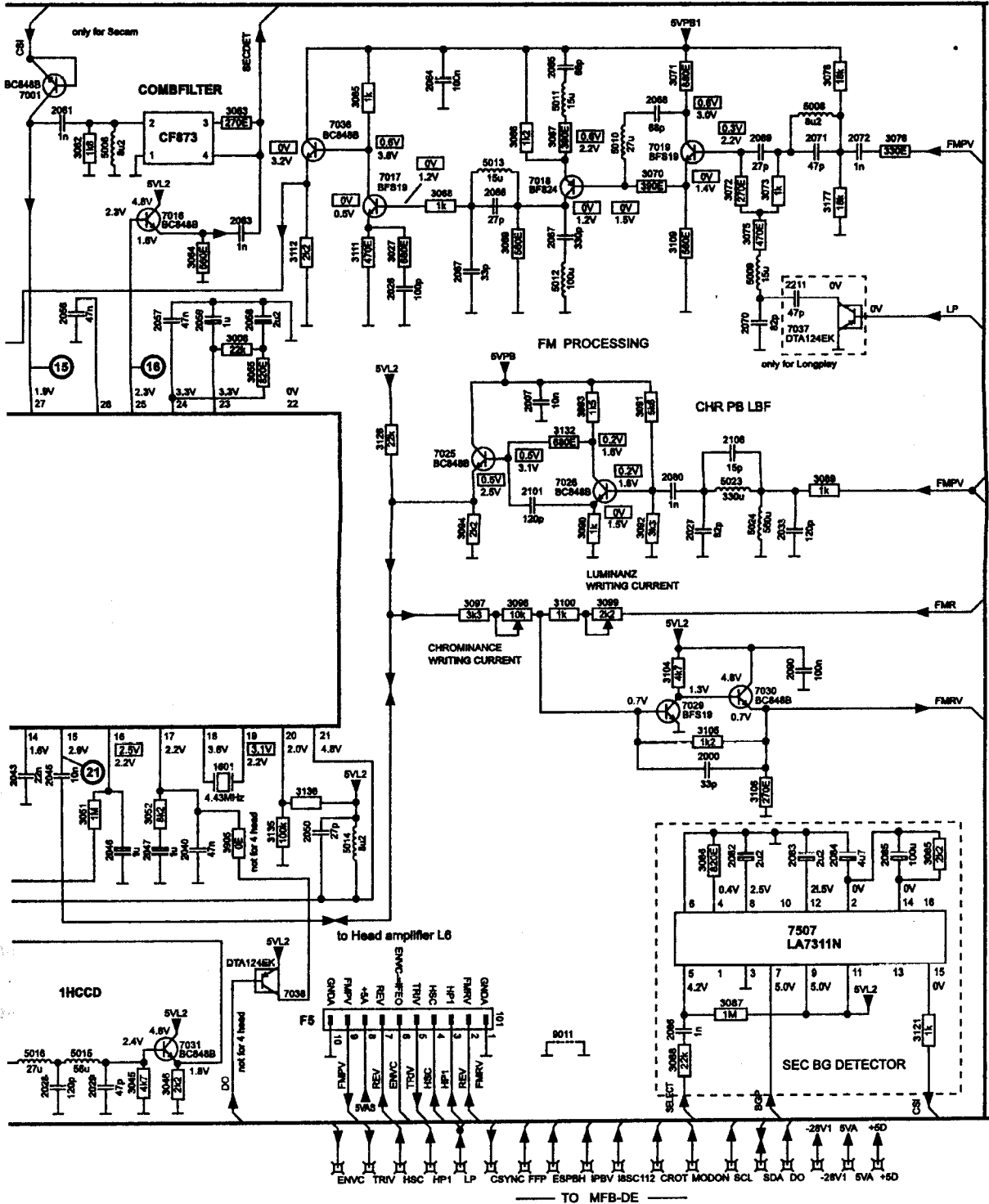
A: DC, 0.5V/Div 0.2ms/Div
IC 7702 Pin 9, AFV

27

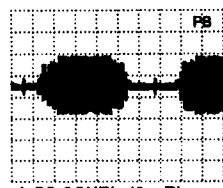


A: DC, 0.2V/Div, 10us/Div
Transistor 7705-Emitter, VCV

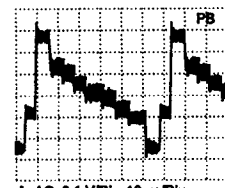
28



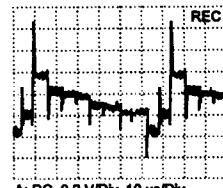
15 A: AC, 50 mV/Div, 5 ma/Div
IC 7051 Pin 27



16 A: DC, 0.5 V/Div, 10 us/Div
IC 7051 Pin 25



17 A: AC, 0.1 V/Div, 10 us/Div
IC 7051 Pin 3

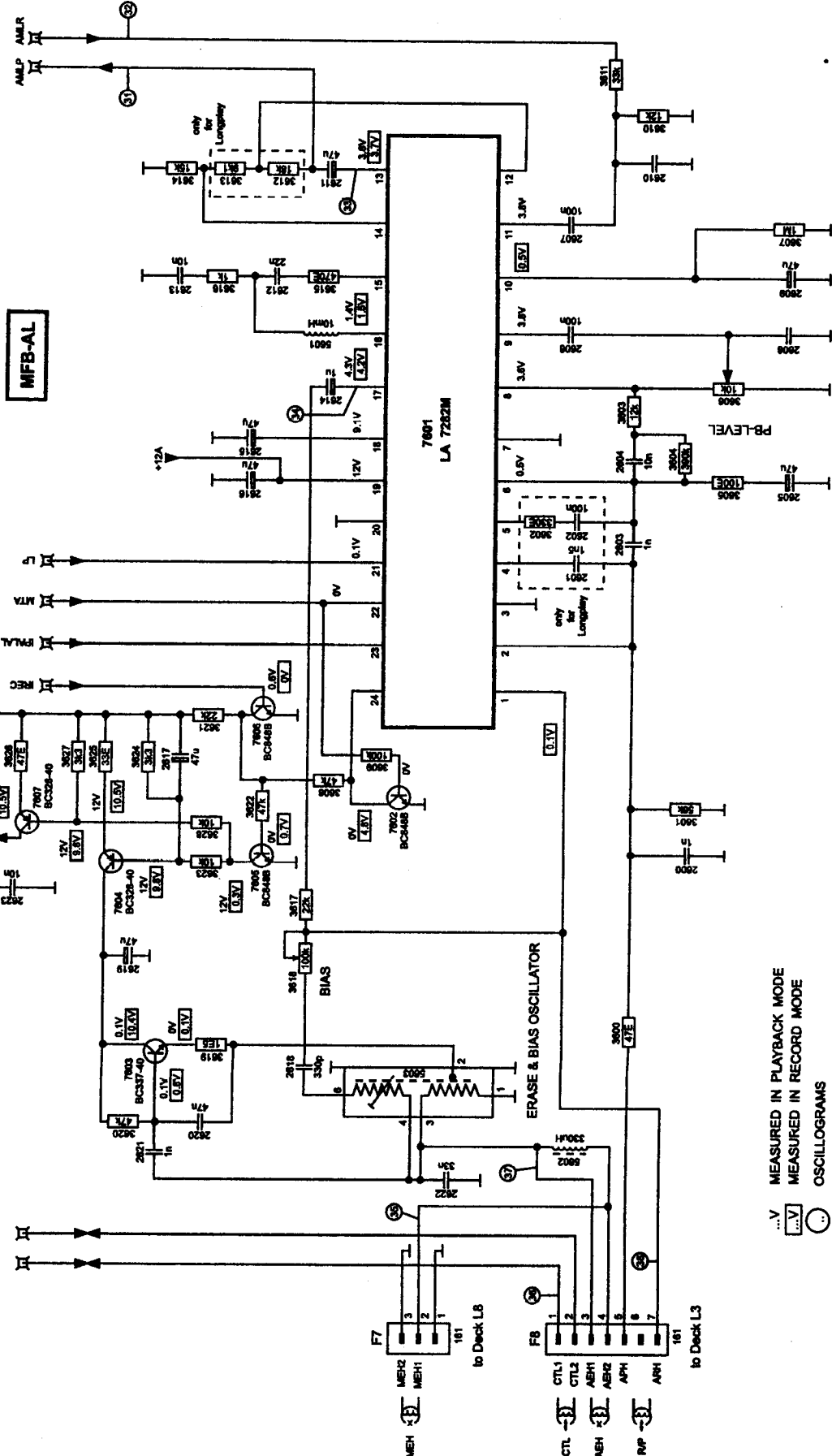


18 A: DC, 0.2 V/Div, 10 us/Div
IC 7051 Pin 5

to MFb-DE
CTL1CTL2

to MFb-VCfIO

to MFb-DE

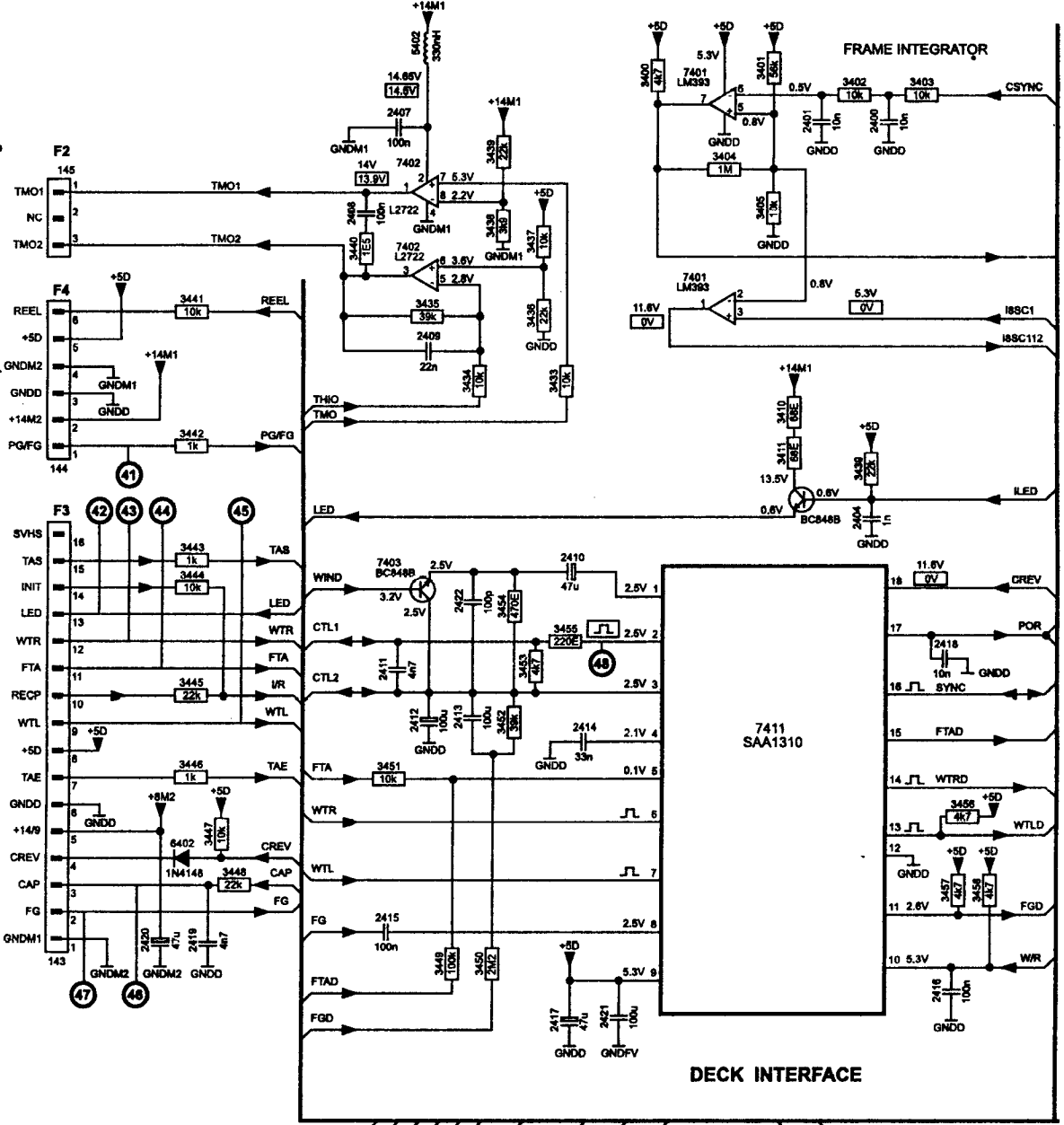


...V MEASURED IN PLAYBACK MODE
 ...V MEASURED IN RECORD MODE
 ○ OSCILLOGRAMS

to Deck L4 Threading motor

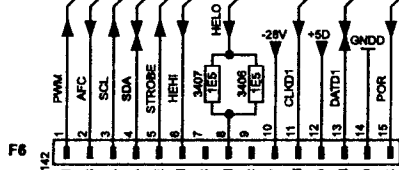
to Head amplifier L1

to Deck L2 Sensor Print

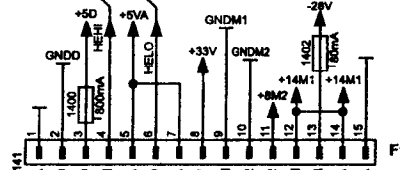


FRAME INTEGRATOR

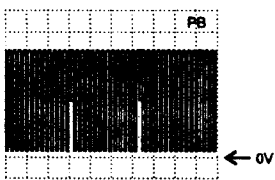
DECK INTERFACE



to MDC Operating Panel

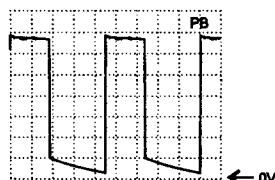


to SM 1 Power supply



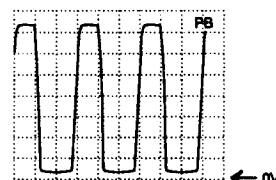
A: DC, 1V/Div, 10ms/Div
Connector F4, 1, PG/FG

41



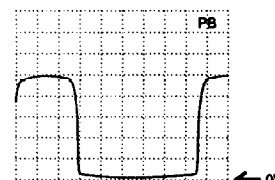
A: DC, 0.5V/Div, 0.5ms/Div
Connector F3, 13, LED

42



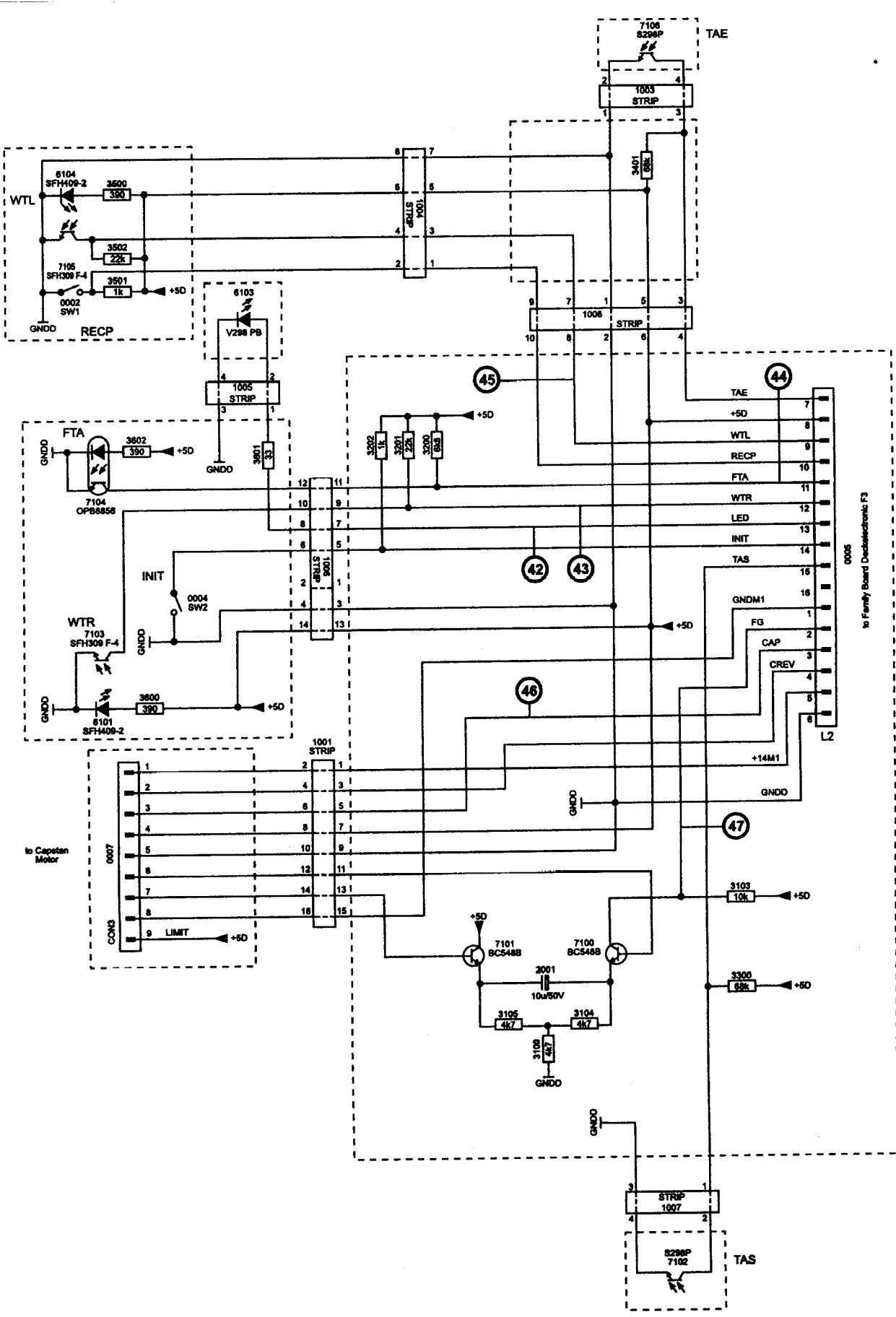
A: DC, 0.5V/Div, 2ms/Div
Connector F3, 12, WTR Wind

43



A: DC, 1V/Div, 2ms/Div
Connector F3, 11, FTA Threading

44



0005
to Family Board Decadelectronic F3

WTL

TAE

RECP

FTA

WTR

to Capstan Motor

CON3

TAE

+5D

WTL

RECP

FTA

WTR

LED

INIT

TAS

GNDM1

FG

CAP

CREV

+14M1

GND

L2

+5D

GND

+5D

+5D

GND

+5D

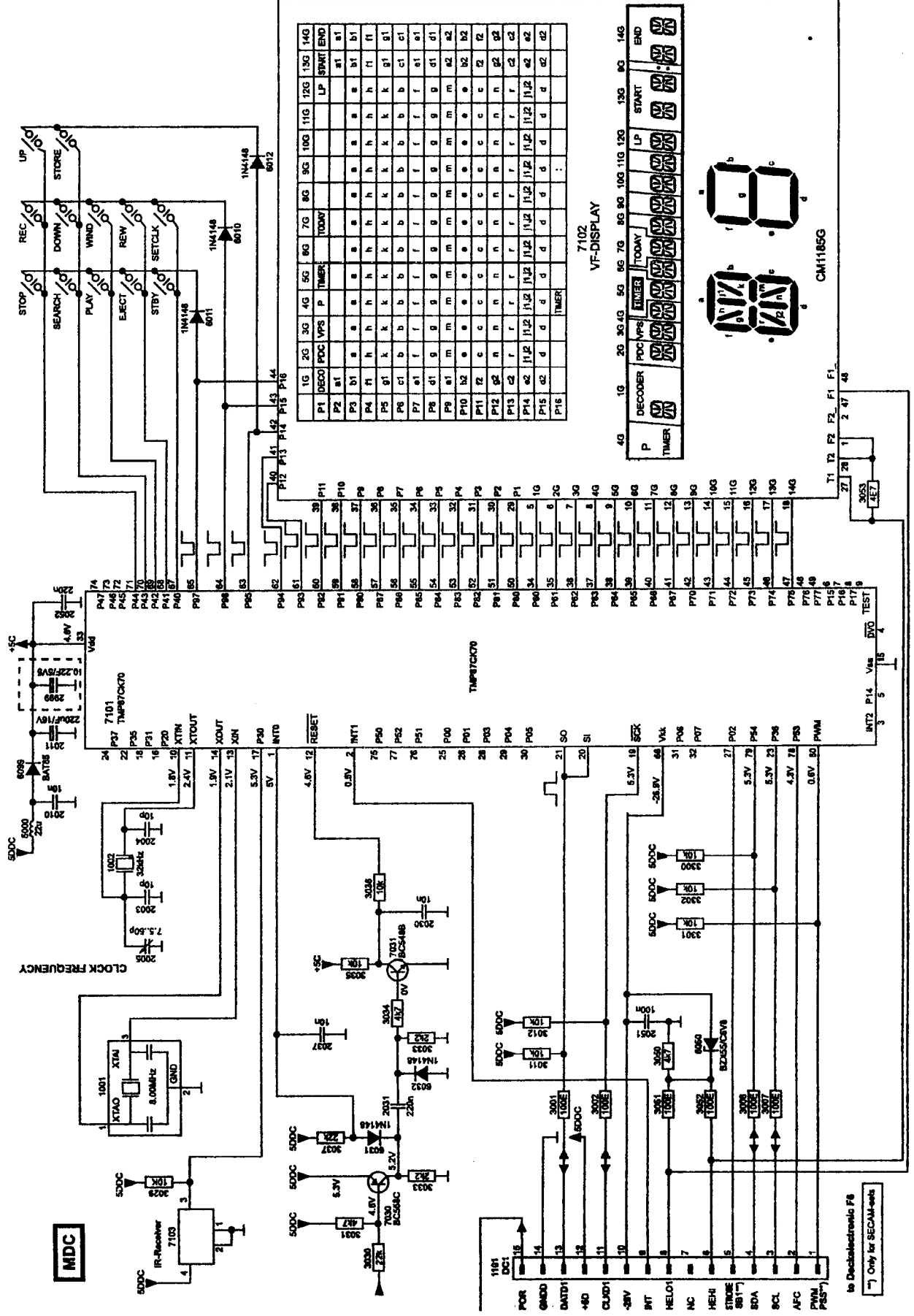
+5D

GND

+5D

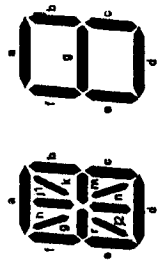
GND

TAS



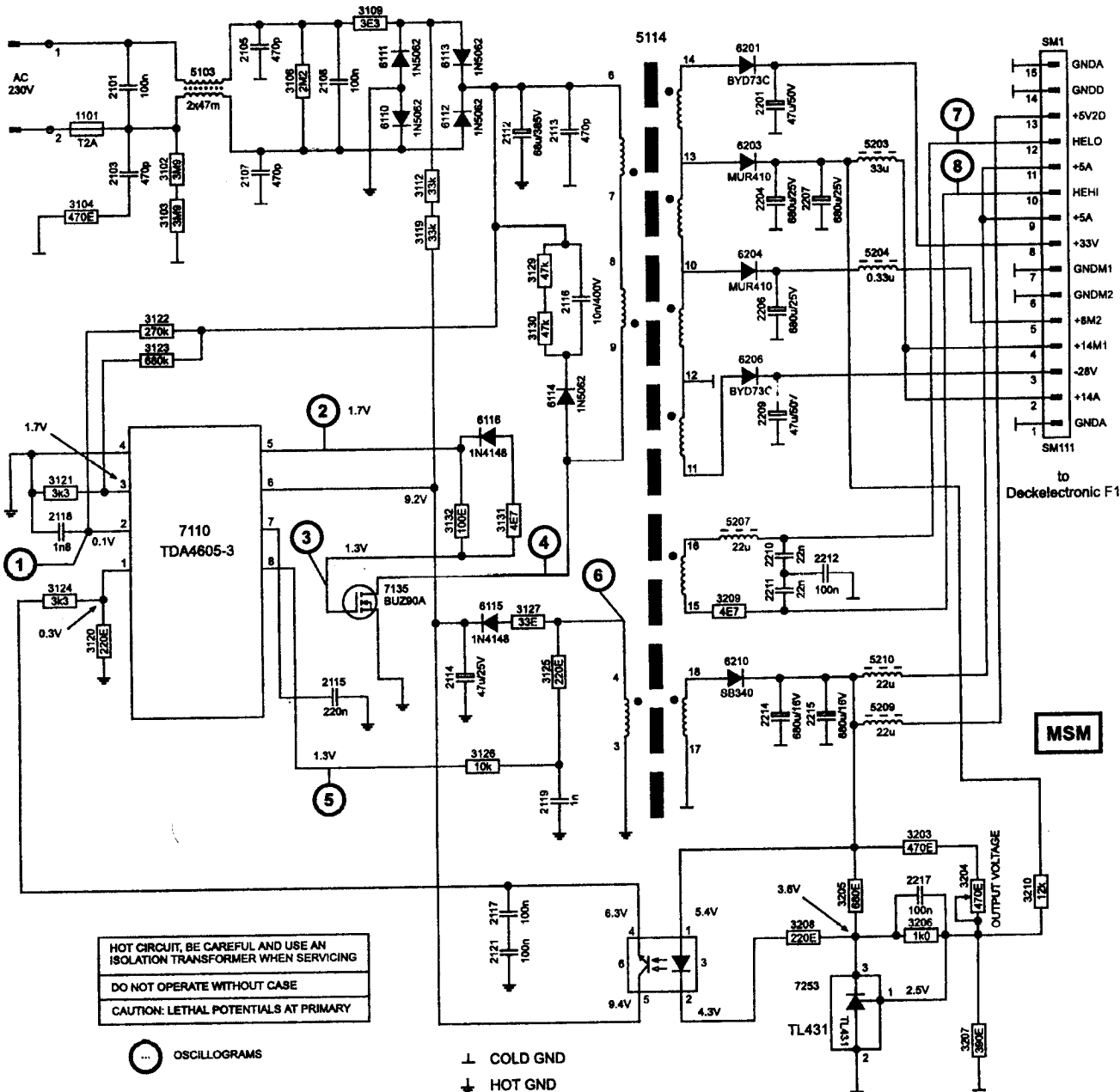
1G	2G	3G	4G	5G	6G	7G	8G	9G	10G	11G	12G	13G	14G
P1	DECOD	POC	VPS	P	TIMER	TODAY					LP	START	END
P2	b1											b1	b1
P3	b1												b1
P4	f1	h	h	h	h	h	h	h	h	h	h	h	f1
P5	g1	k	k	k	k	k	k	k	k	k	k	k	g1
P6	c1	b	b	b	b	b	b	b	b	b	b	b	c1
P7	a1	f	f	f	f	f	f	f	f	f	f	f	a1
P8	d1	g	g	g	g	g	g	g	g	g	g	g	d1
P9	m	m	m	m	m	m	m	m	m	m	m	m	m
P10	b2	e	e	e	e	e	e	e	e	e	e	e	b2
P11	z	c	c	c	c	c	c	c	c	c	c	c	z
P12	q	n	n	n	n	n	n	n	n	n	n	n	q
P13	e2	f	f	f	f	f	f	f	f	f	f	f	e2
P14	e2	h	h	h	h	h	h	h	h	h	h	h	e2
P15	e2	d	d	d	d	d	d	d	d	d	d	d	e2
P16													

7102 VF-DISPLAY



CM1185G

to Decalcoholic F8
 Only for SCAM-sets



HOT CIRCUIT, BE CAREFUL AND USE AN ISOLATION TRANSFORMER WHEN SERVICING
DO NOT OPERATE WITHOUT CASE
CAUTION: LETHAL POTENTIALS AT PRIMARY

... OSCILLOGRAMS

⊥ COLD GND
⬇ HOT GND

VOLTAGES ARE MEASURED IN RECORD MODE