

NICHT BEI ALLEN TYPEN BESTECKT
NOT FITTED TO ALL TYPES OF TV'S
N'EST PAS INCORPORÉ A TOUS LES
MODELES DE TELEVISIONS EN CONJ.
MP EQUIPADOS EN TODOS LOS MODELOS

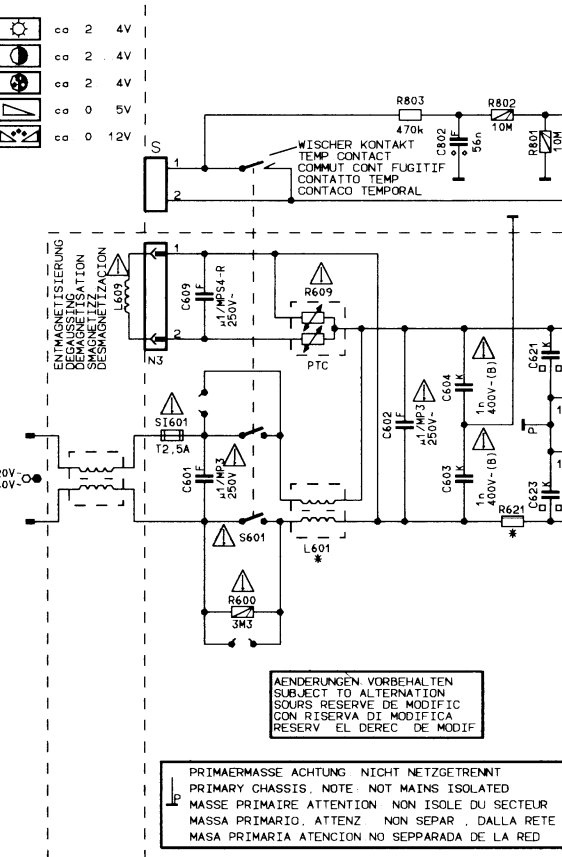
** NUR BEI UNITEXT
ONLY WITH
SEUL POUR
SOLO NELLA
SOLO CON

** NUR BEI TEXT
ONLY WITH TEXT
SEUL POUR TEXT
SOLO NEL TEXT
SOLO CON TEXT

ENTFAELLT BEI TEXT
NOT FITTED IN TEXT
SUPRIME SUR TEXTE
MANCA PER TEXTE
SUPRIMIDO EN TEXT

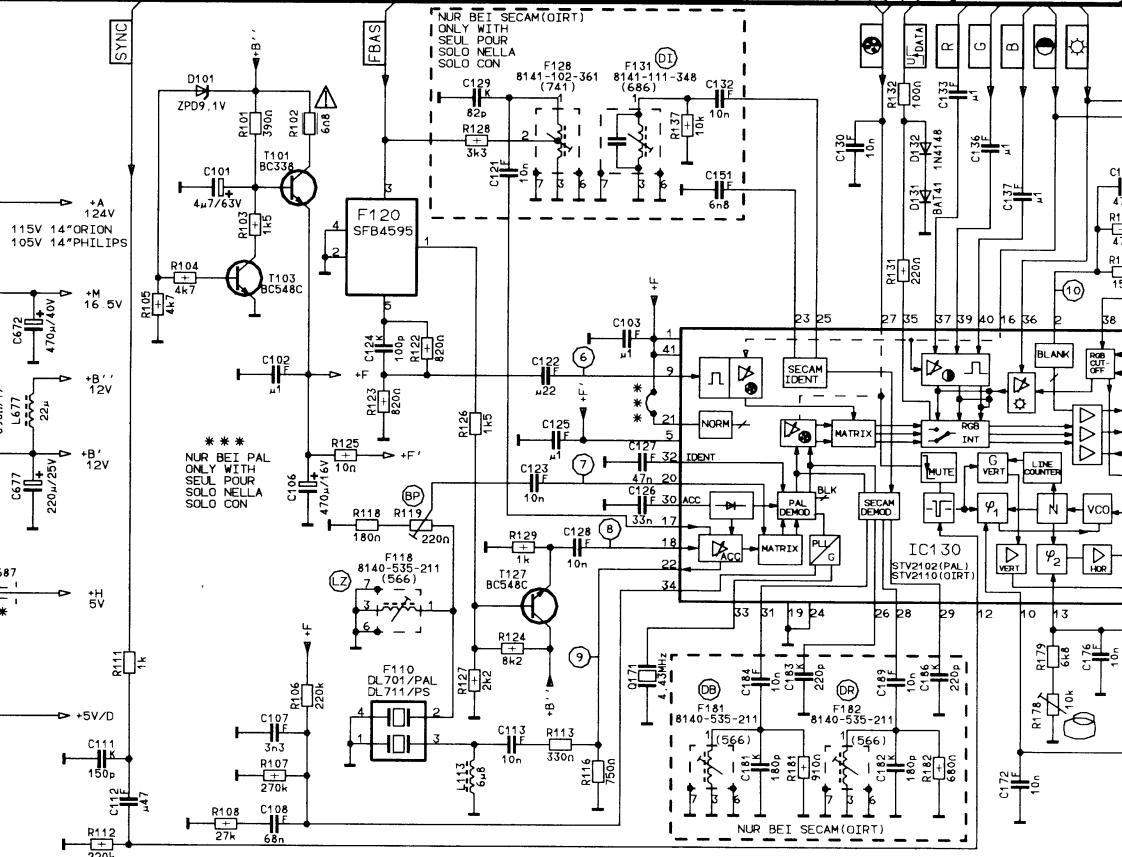
- ☀ 0 2 4V
- ☀ 0 2 4V
- ☀ 0 2 4V
- ☀ 0 5V
- ☀ 0 12V

* IC270	R231	R232	C233	D233	R242	C262	BR262	R263	C266	BR267	R267	R276	R277	D814	F216	L687	L270	C243
UNITEXT	CF70095	6k8	270p	BB531	10k	33k	1k2	2k7	1N4148	8140-540-222	8140-540-222	8140-540-222	8140-540-222	8140-540-222	8140-540-222	8140-540-222	8140-540-222	8140-540-222
EUROTEXT	CF70200	15k	10n	33k	39p	2k2	2k4	220n	1N4148	8140-540-222	8140-540-222	8140-540-222	8140-540-222	8140-540-222	8140-540-222	8140-540-222	8140-540-222	8140-540-222
EUROTEXT HEBRAEISCH	CF70210	15k	10n	33k	39p	2k2	2k4	220n	1N4148	8140-540-222	8140-540-222	8140-540-222	8140-540-222	8140-540-222	8140-540-222	8140-540-222	8140-540-222	8140-540-222
OHNE VIDEOTEXT																		



ÄNDERUNGEN VORBEHALTEN
SUBJECT TO ALTERATION
SOUVS RESERVE DE MODIFIC
CON RISERVA DI MODIFICA
RESERV EL DERECH DE MODIF

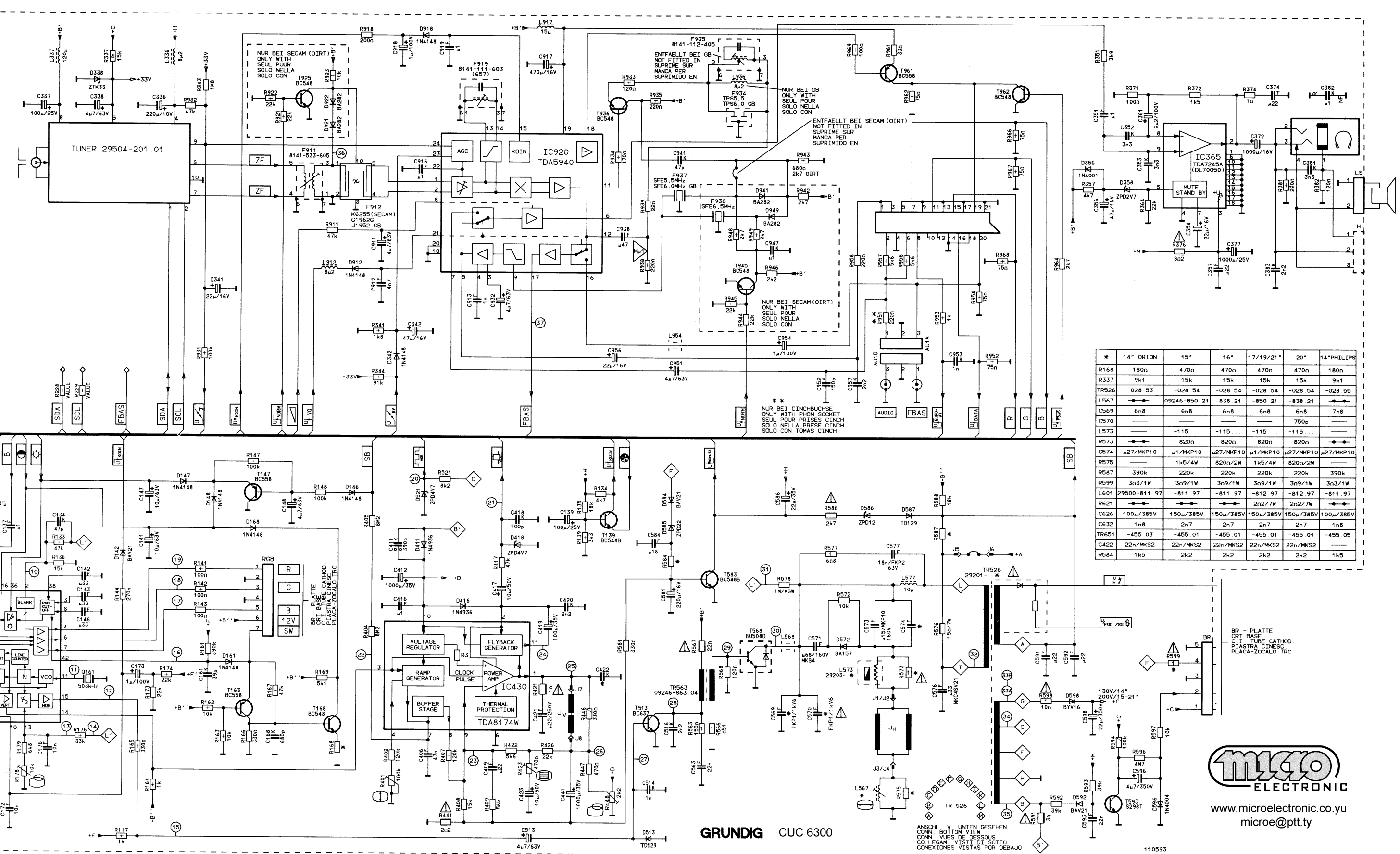
PRIMAERMASS ACHTUNG NICHT NETZGETRENNT
PRIMARY CHASSIS. NOTE NOT MAINS ISOLATED
MASSE PRIMAIRE ATTENTION NON ISOLE DU SECTEUR
MASSA PRIMARIO. ATENZ NON SEPAR. DALLA RETE
MASA PRIMARIA ATENCION NO SEPARADA DE LA RED



** NUR BEI PAL
ONLY WITH
SEUL POUR
SOLO NELLA
SOLO CON

** NUR BEI SECAM(OIRT)
ONLY WITH
SEUL POUR
SOLO NELLA
SOLO CON

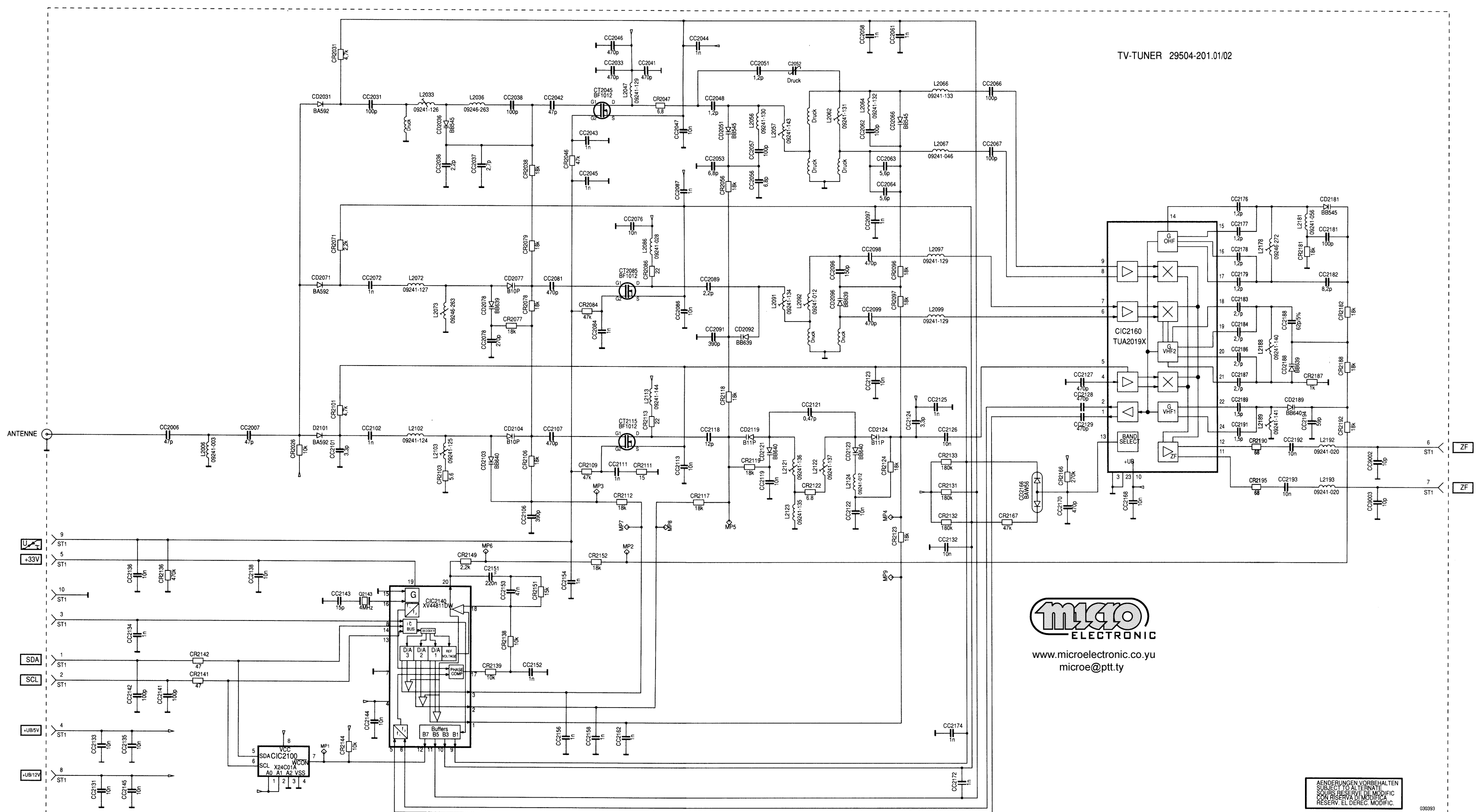
** NUR BEI SECAM(OIRT)
ONLY WITH
SEUL POUR
SOLO NELLA
SOLO CON



* Model	14" ORION	15"	16"	17/19/21"	20"	14" PHILIPS
R168	180n	470n	470n	470n	470n	180n
R337	9k1	15k	15k	15k	15k	9k1
TR526	-028 53	-028 54	-028 54	-028 54	-028 54	-028 55
L567	—	09246-850 21	-838 21	-850 21	-838 21	—
C569	6n8	6n8	6n8	6n8	6n8	7n8
C570	—	—	—	—	750p	—
L573	—	-115	-115	-115	-115	—
R573	—	820n	820n	820n	820n	—
C574	μ27/MKP10	μ1/MKP10	μ27/MKP10	μ1/MKP10	μ27/MKP10	μ27/MKP10
R575	—	1k5/4W	820n/2W	1k5/4W	820n/2W	—
R587	390k	220k	220k	220k	220k	390k
R599	3n3/1W	3n9/1W	3n9/1W	3n9/1W	3n9/1W	3n3/1W
L601	29500-811 97	-811 97	-811 97	-812 97	-812 97	-811 97
R621	—	—	—	2n2/7W	2n2/7W	—
C626	100μ/385V	150μ/385V	150μ/385V	150μ/385V	150μ/385V	100μ/385V
C632	1n8	2n7	2n7	2n7	2n7	1n8
TR651	-455 03	-455 01	-455 01	-455 01	-455 01	-455 05
C422	22n/MKS2	22n/MKS2	22n/MKS2	22n/MKS2	22n/MKS2	—
R584	1k5	2k2	2k2	2k2	2k2	1k5

GRUNDIG CUC 6300

MICRO
ELECTRONIC
www.microelectronic.co.yu
microe@ptt.ty

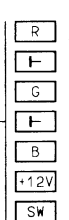


www.microelectronic.co.yu
micro@ptt.ty

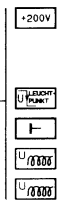
ÄNDERUNGEN VORBEHALTEN
SUBJECT TO ALTERNATE
SOURS RESERVE DE MODIF
CON RESERVA DI MODIFICA
RESERV. EL DEREC. MODIFIC.

BILDROHRPLATTE 29305-022 07
 CRT PANEL
 C I TUBE CATHOD
 PLASTRA CINESC
 PLACA ZOCALO TRC

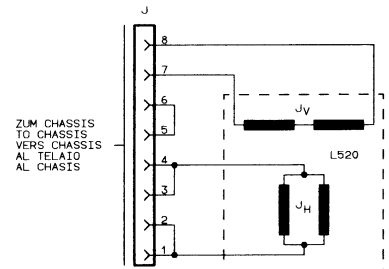
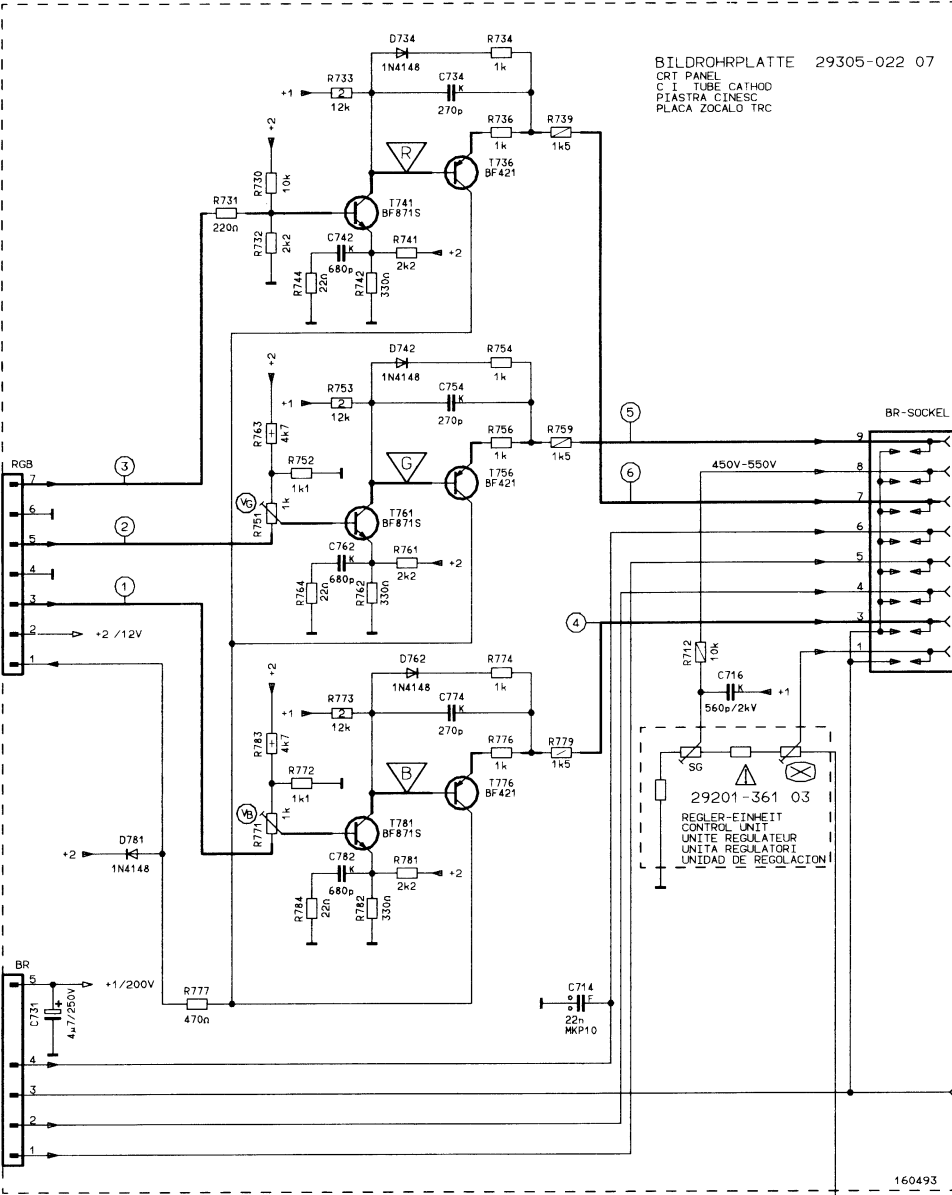
ZUM CHASSIS
 TO CHASSIS
 VERS CHASSIS
 AL TELAIO
 AL CHASIS



ZUM CHASSIS
 TO CHASSIS
 VERS CHASSIS
 AL TELAIO
 AL CHASIS

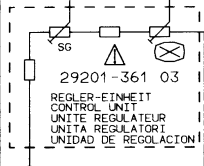
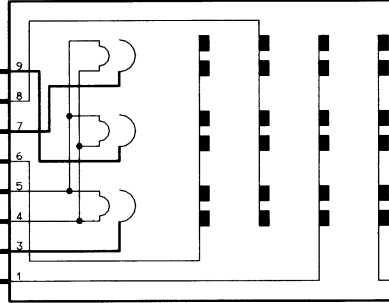


ZUM ZEILENTR
 TO LINE TRANSFORMER
 VERS TRANSFORMER
 ALLO TRASF DI RETE
 AL TRANSF DE LINEAS



ZUM CHASSIS
 TO CHASSIS
 VERS CHASSIS
 AL TELAIO
 AL CHASIS

BR-SOCKEL



29201-361 03
 REGLER-EINHEIT
 CONTROL UNIT
 UNITE REGULATEUR
 UNITA REGOLATORI
 UNIDAD DE REGULACION



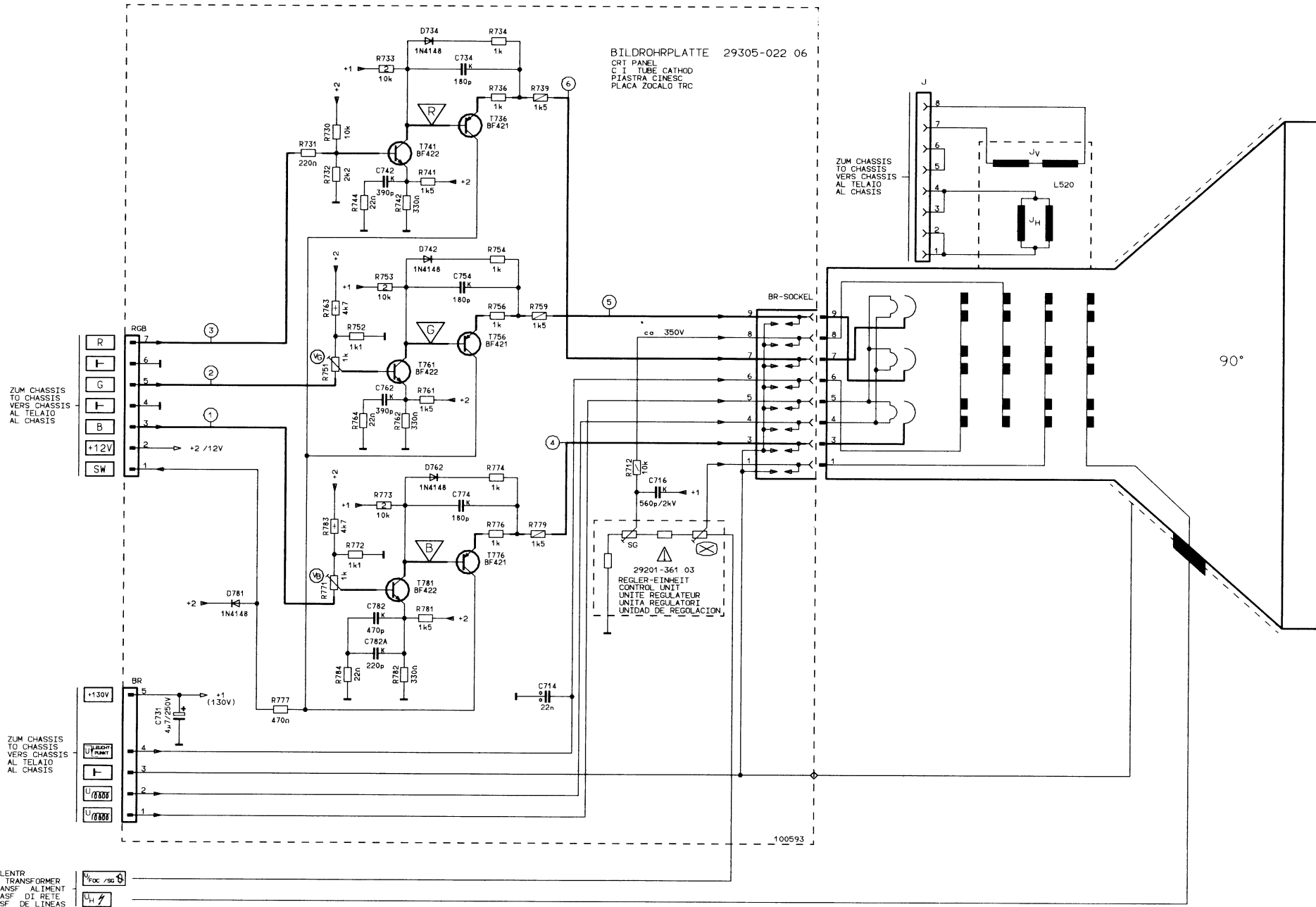
www.microelectronic.co.yu
 microe@ptt.yu

90°

160493

BILDROHRPLATTE 29305-022 06

CRT PANEL
C I TUBE CATHOD
PIASTRA CINESC
PLACA ZOCALO TRC



90°

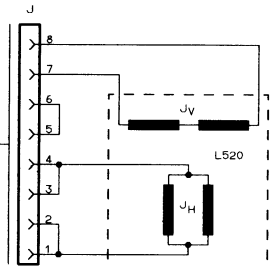
100593

ZUM ZEILENTR
TO LINE TRANSFORMER
VERS TRANSF ALIMENT
ALLO TRASF DI RETE
AL TRASF DE LINEAS

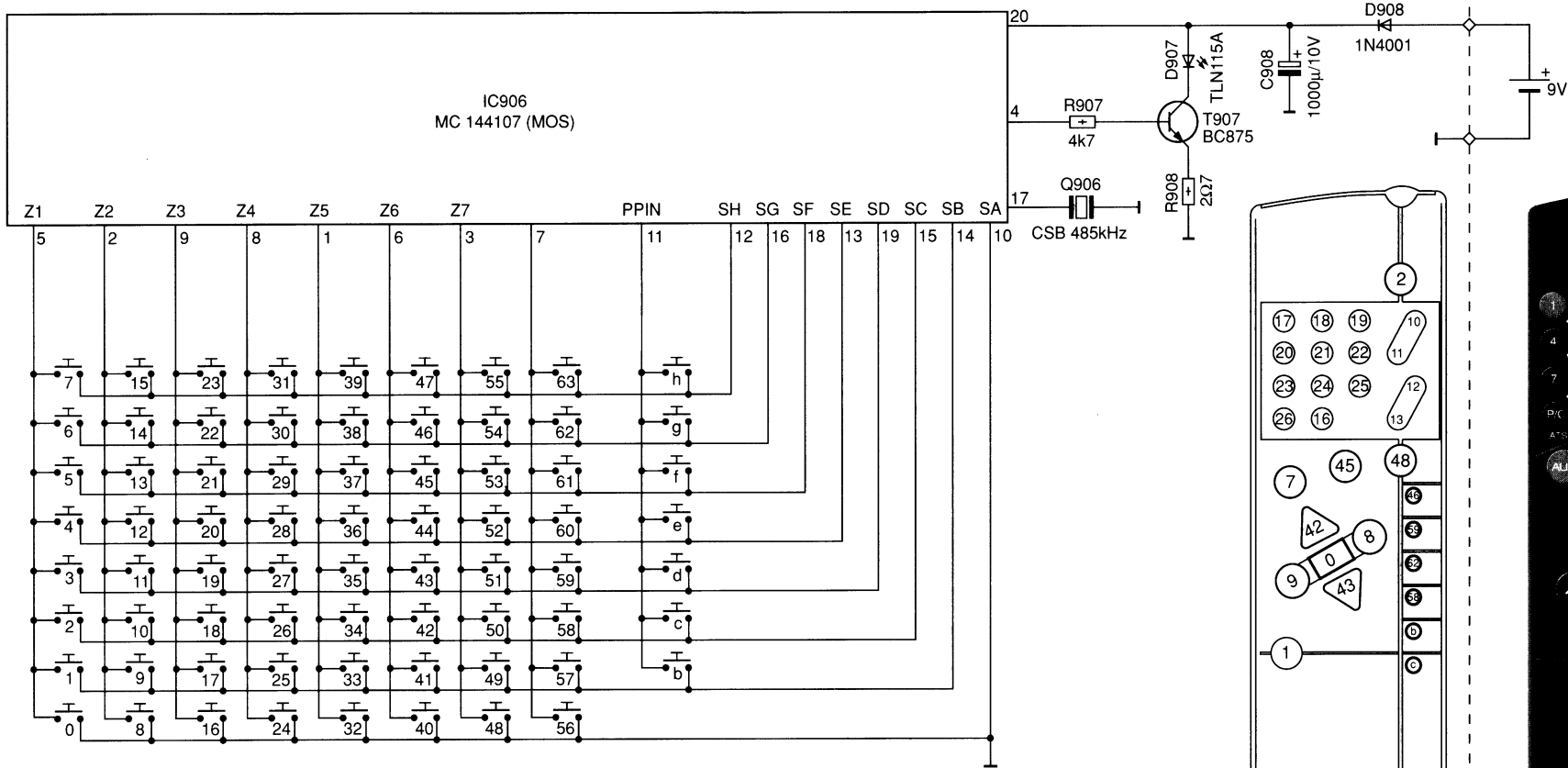


ZUM CHASSIS
TO CHASSIS
VERS CHASSIS
AL TELAIO
AL CHASIS

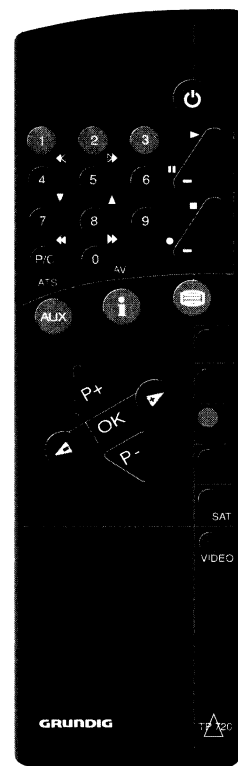
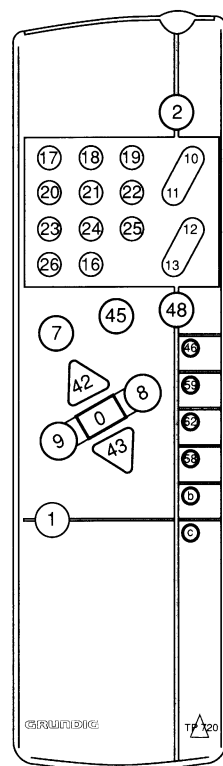
ZUM CHASSIS
TO CHASSIS
VERS CHASSIS
AL TELAIO
AL CHASIS



FERNBEDIENUNG 29622-059.06
 REMOTE CONTROL
 TELE COMMANDE
 TELECOMANDO
 TELE MANDO

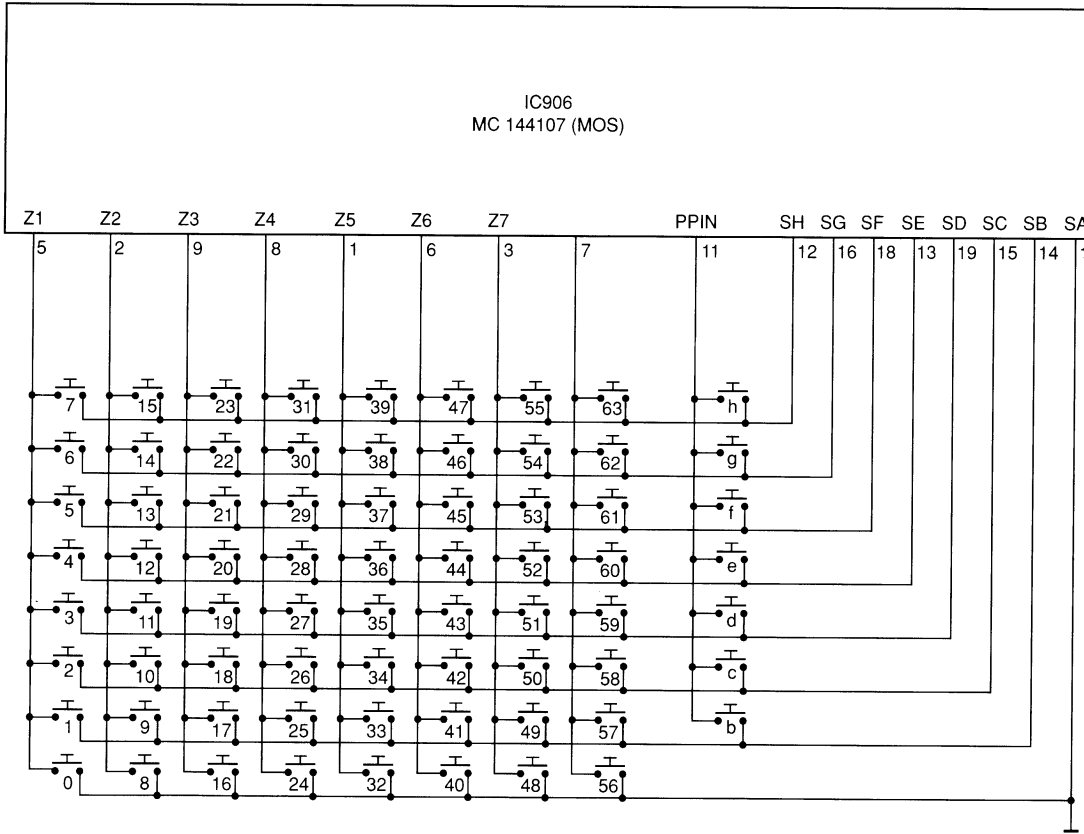


KEYBOARD 29304-779.02
 CLAVIER
 KEYBOARD
 TECLADO

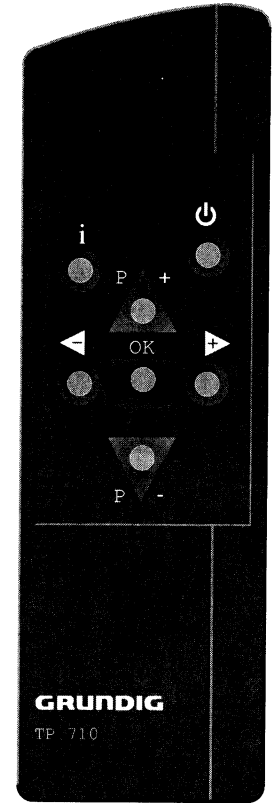
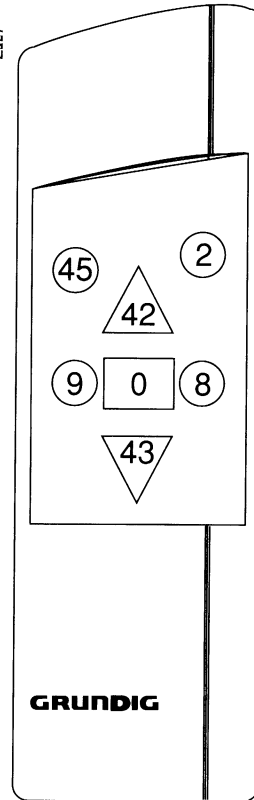
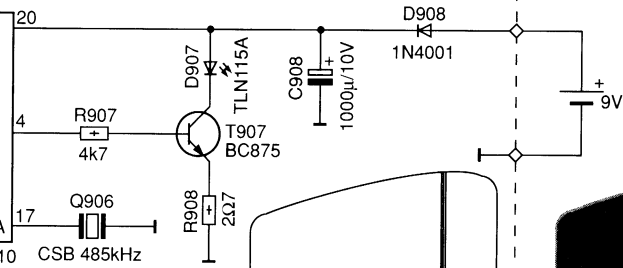


FERNBEDIENUNG 29622-059.06
 REMOTE CONTROL
 TELE COMMANDE
 TELECOMANDO
 TELE MANDO

IC906
 MC 144107 (MOS)

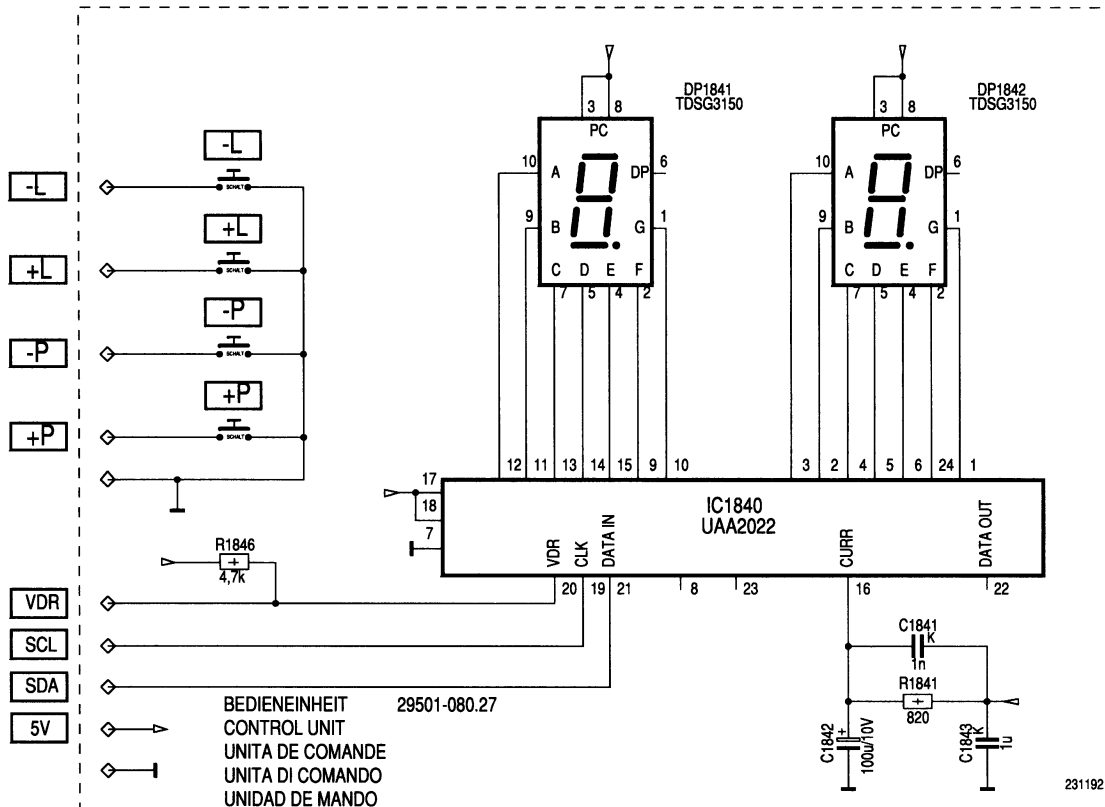
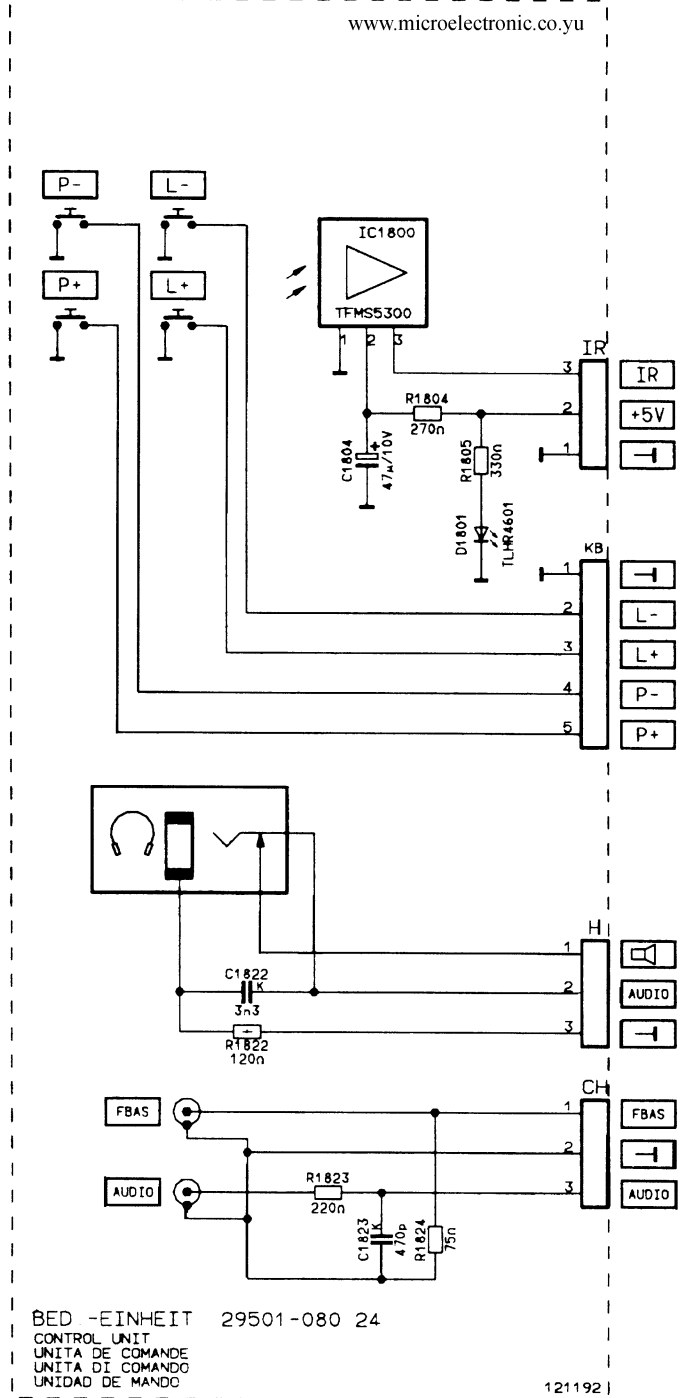
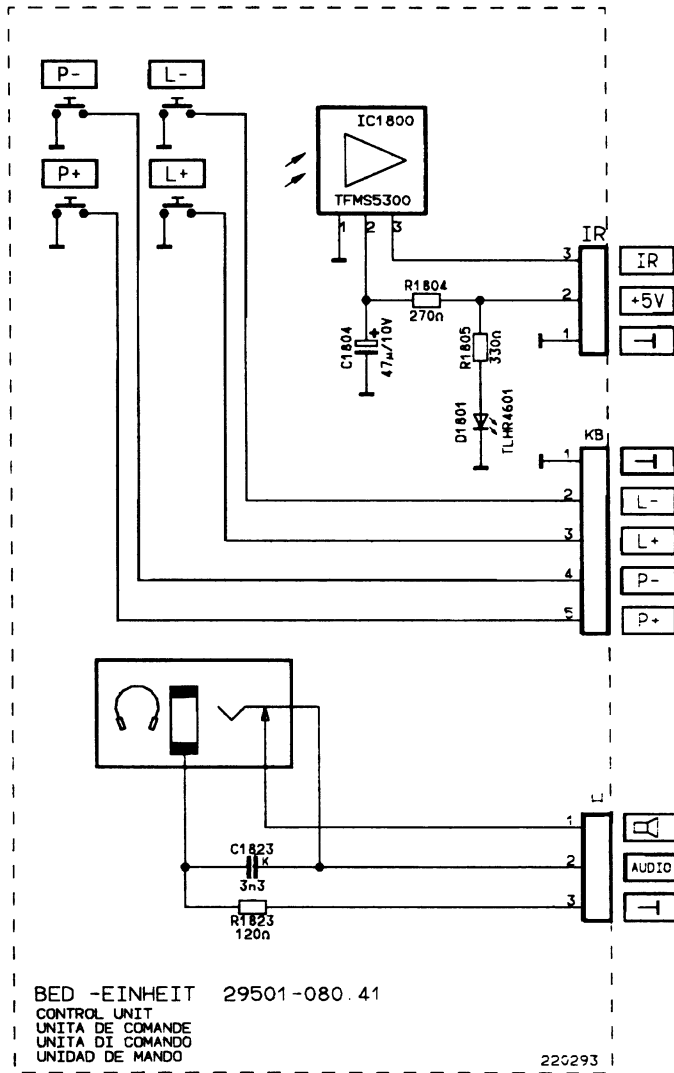


KEYBOARD 29304-779.02
 CLAVIER
 KEYBOARD
 TECLADO



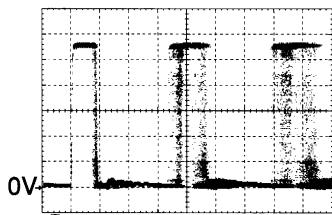
Telepilot TP 710

Remote control TP 710

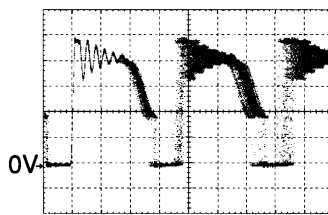


www.microelectronic.co.yu
 microe@ptt.ty

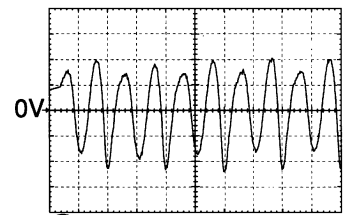
Oszillogramme - Chassis / Oscillograms Chassis / Oscillogrammi telaio



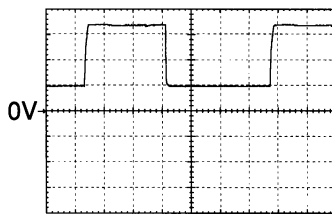
② 2V/cm, 2μs/cm



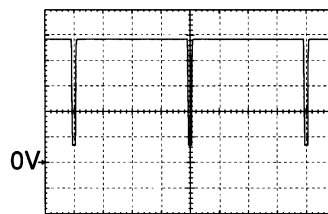
④ 100V/cm, 2μs/cm



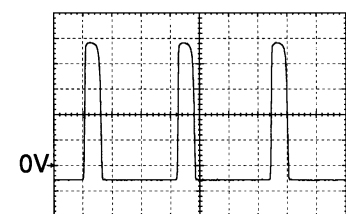
⑪ 100mV/cm, 1μs/cm



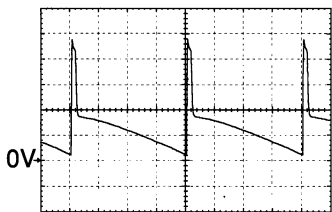
⑫ 1V/cm, 10μs/cm



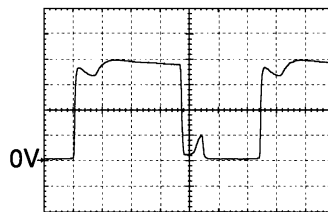
⑭ 2V/cm, 5ms/cm



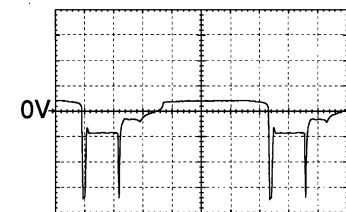
⑳ 1V/cm, 20μs/cm



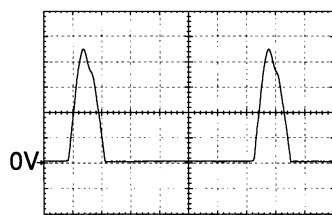
⑳ 10V/cm, 5ms/cm



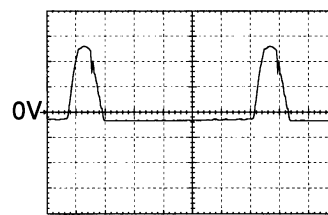
⑳ 5V/cm, 10μs/cm



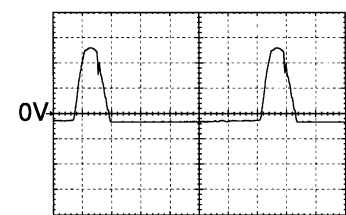
⑳ 2V/cm, 10μs/cm



⑳ 2V/cm, 10μs/cm




⑳ 50V/cm, 10μs/cm





⑳ 50V/cm, 10μs/cm

Schaltplansymbole / Circuit diagram symbols / Simboli sullo schema

 Zeilenbreite / Line width / Amplitude horizontale / Larghezza di riga / Amplitudo Horizontal

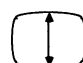
 Hor. Frequenz / Hor. Frequency / Fréqu. horiz. / Frequ. orizz. / Frequ. horiz.

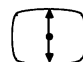
 Hor. Linearität / Hor. linearity / Linéar. Horizont / Linear. orizz. / Lineal. Horizontal


 Bildlage hor. / Hor. picture position / Cadrage horizont. / Posizione orizz. d'immagine / Centrado horizontal


 Ost-West Amplitude / East-West amplitude / Amplitude Est - Ouest / Ampiezza Est-Ovest / Amplitud E-O

 Ost-West Symmetrie / East-West symm. / Symm. Est-Ouest / Simm. Est-Ovest / Simetria E-O


 Bildamplitude / Frame ampl. / Ampl. verticale / Ampiezza d'immagine / Ampl. vertical

 Vert. Frequenz / Vert. frequency / Fréqu. vert. / Frequ. vert. / Frequ. vert.

 Vert. Linearität / Vert. linearity / Linéarité vert. / Linear. vert. / Linealidad vert.

 Bildlage vert. / Vert. picture position / Cadrage vertical / Posiz. vert. d'immagine / Centrado vert.

 Focusregler / Focus control / Réglage de focalisation / Regolat. di focalizz. / Control de foco

 Trapez / Trapezium / Trapèze / Trapezio / Trapecio