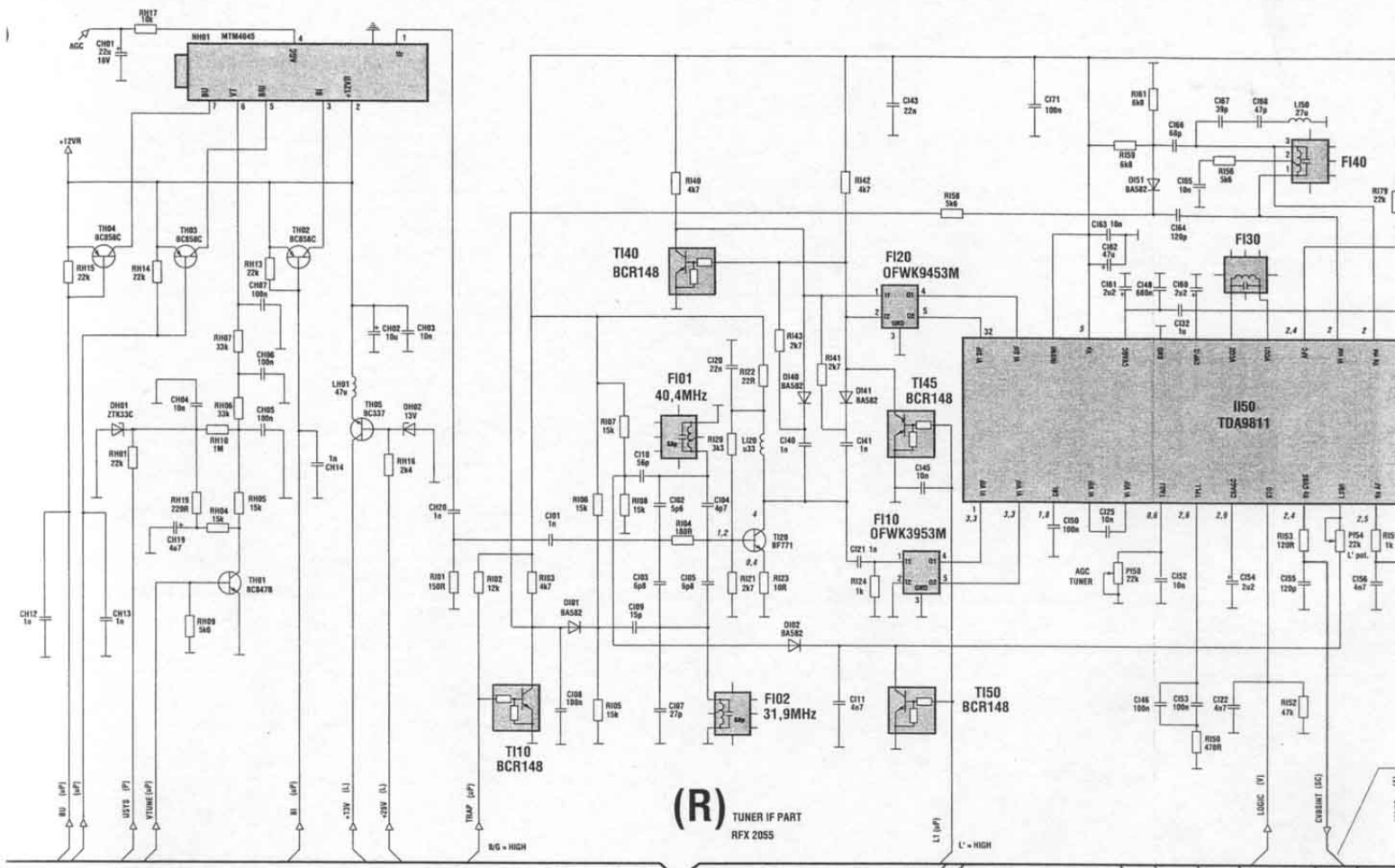
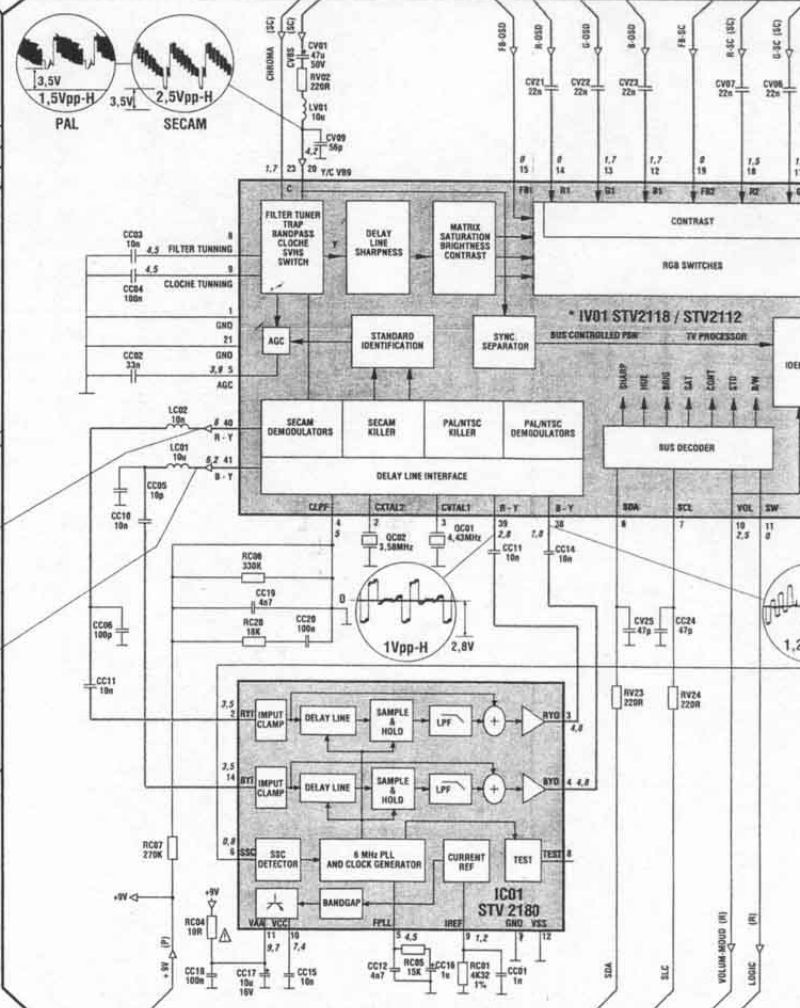
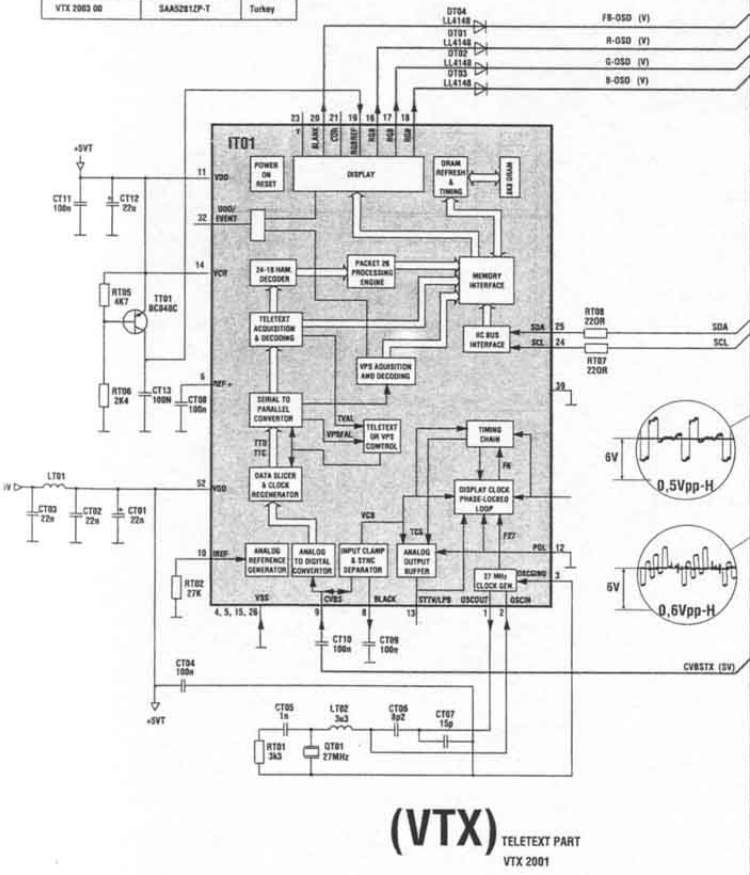


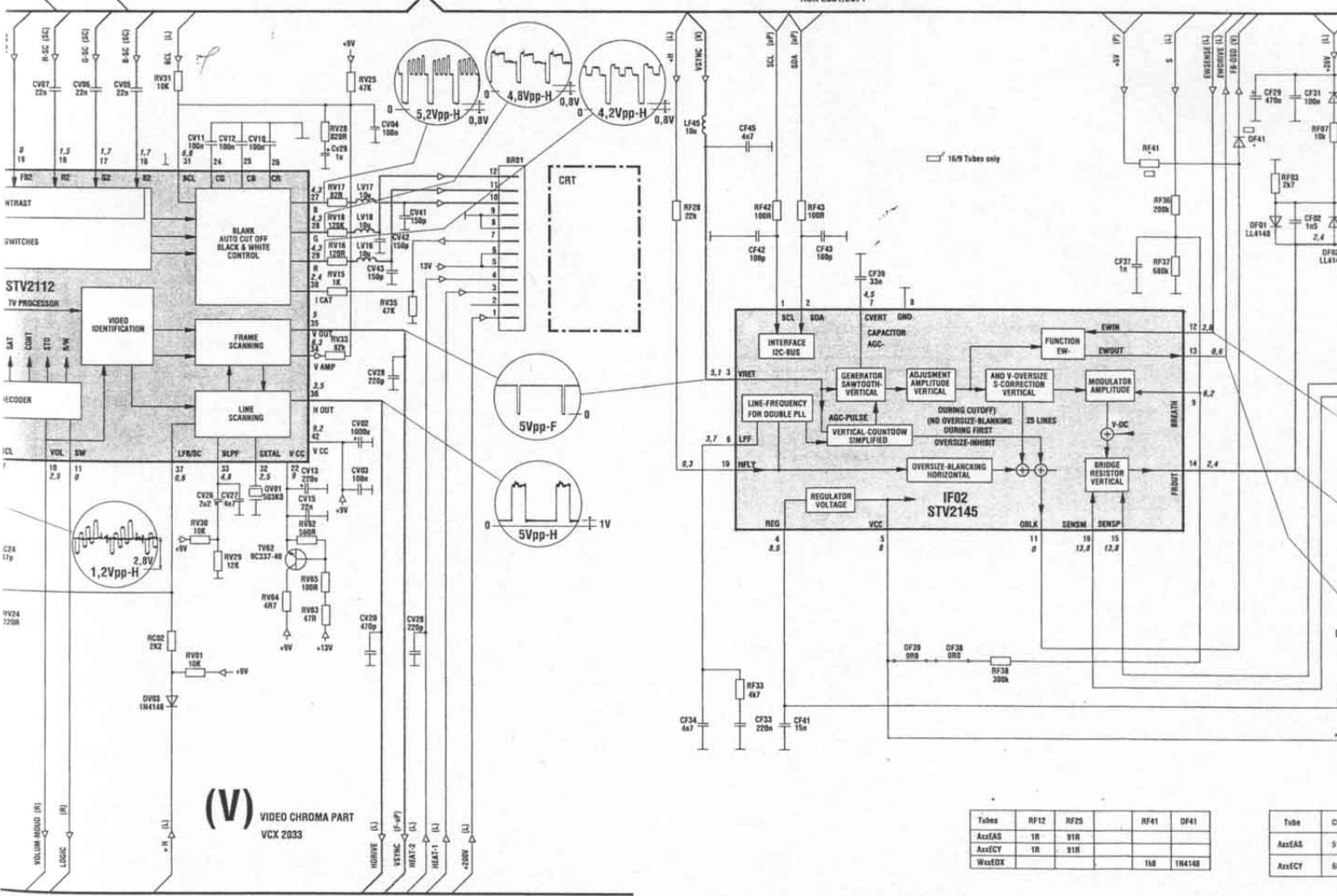
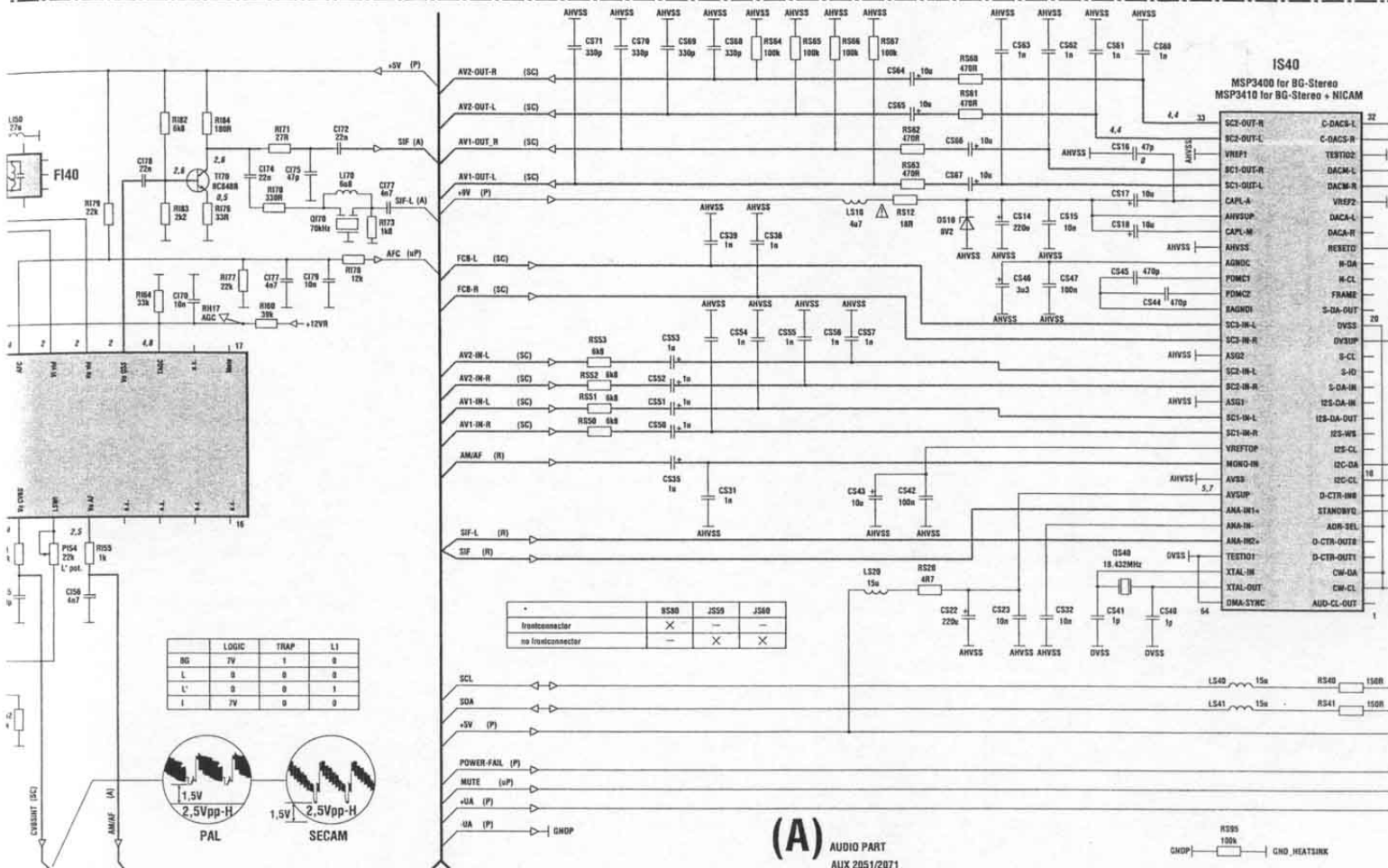
SCHEMATIC DIAGRAM - SCHEMA PLATINE PRINCIPALE - CHASSIS GRUNDPLATTE SCHALTBILD - S

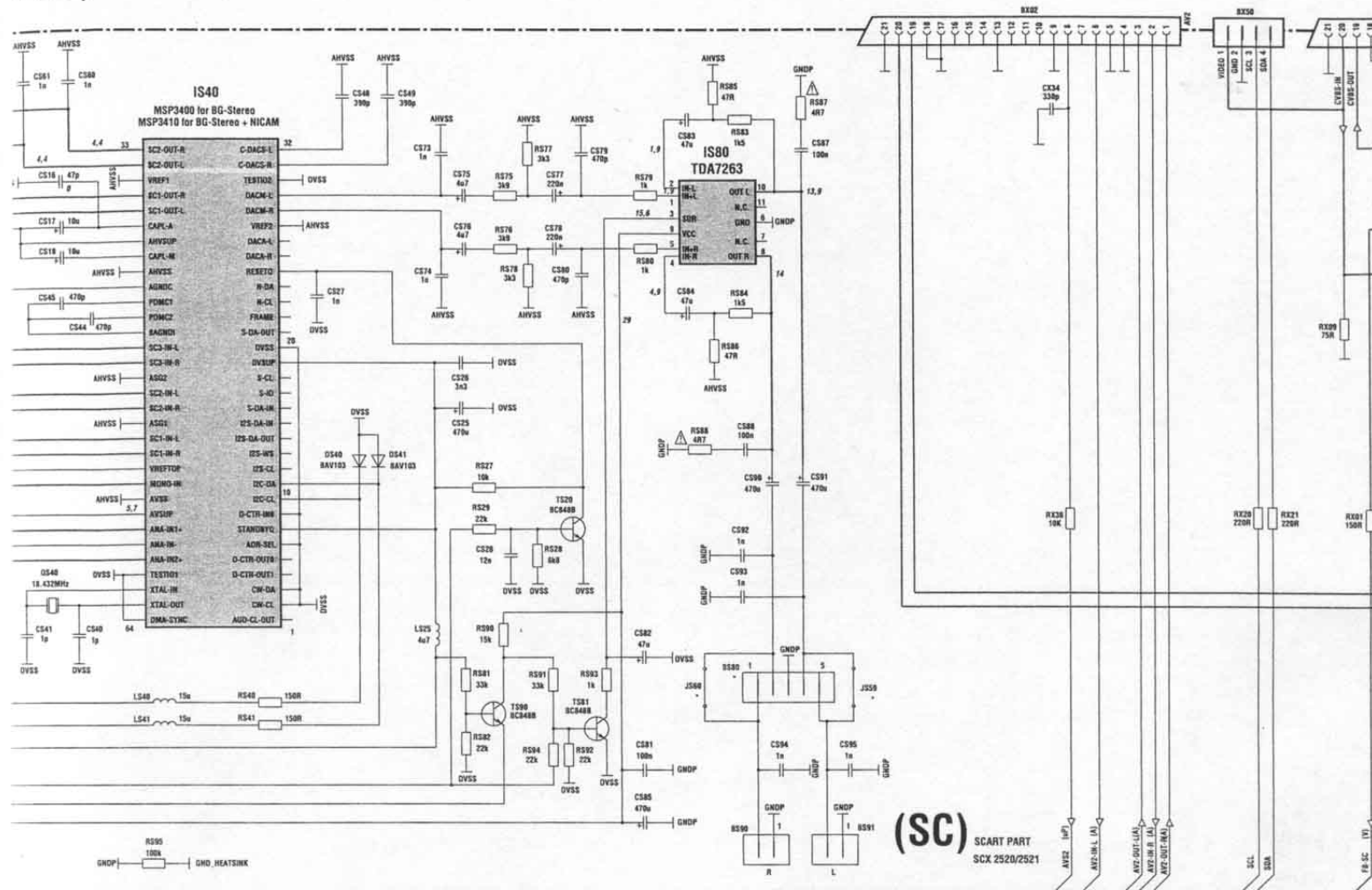


VTX	IT01	Country
VTX 2001 00	3AA32812P-E	EU
VTX 2002 00	3AA32812P-H	EUcast
VTX 2003 00	3AA32812P-T	Turkey

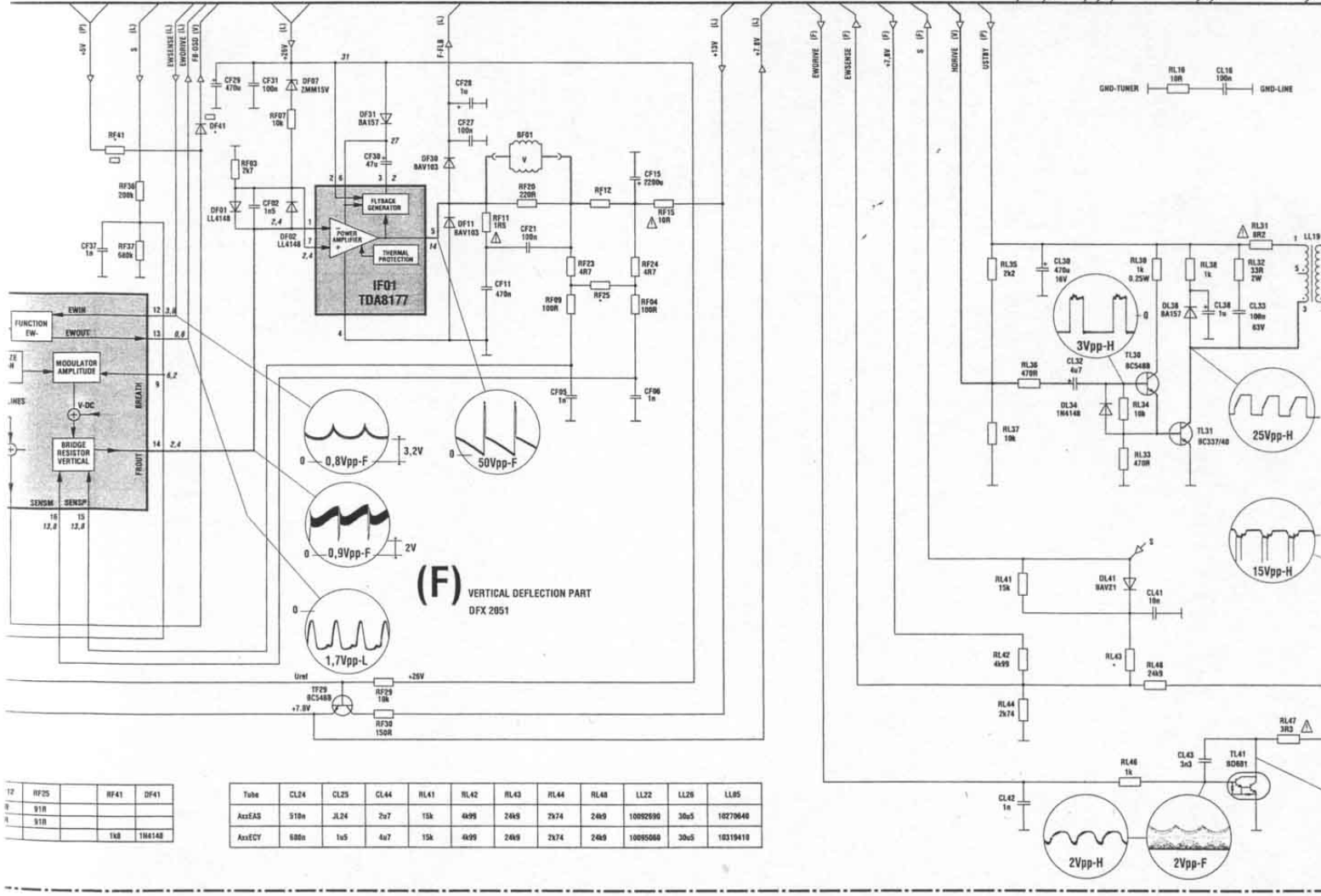


ILD - SCHEMA PIASTRA PRINCIPALE - ESQUEMA PLATINA PRINCIPAL (STEREO)





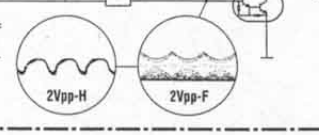
(SC) SCART PART
SCX 2520/2521

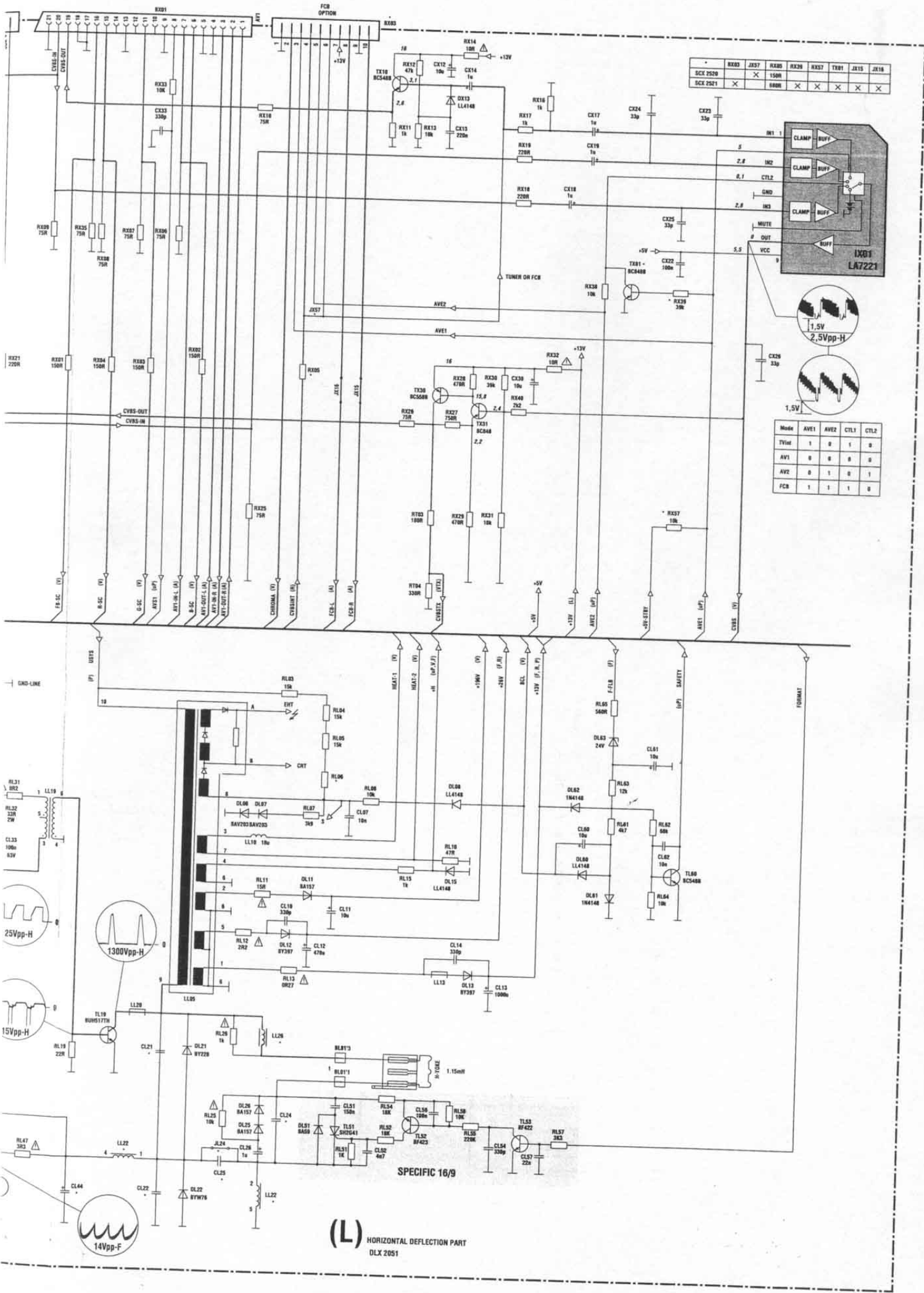


(F) VERTICAL DEFLECTION PART
DFX 2051

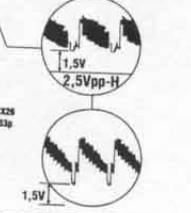
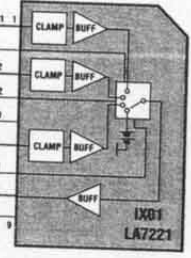
T2	RF25	RF41	DF41
R	91R		
R	91R		
		15R	104148

Tube	CL24	CL25	CL44	RL41	RL42	RL43	RL44	RL48	LL22	LL28	LL85
AxxEAS	510n	JL24	2u7	15k	4099	2469	2474	2489	1009290	30u5	10270648
AxxECY	800n	1u5	4u7	15k	4099	2469	2474	2489	10095060	30u5	10319410





	RX03	JX37	RX08	RX29	RX37	TX01	JX15	JX18
SCX 2520		X	150R					
SCX 2521	X		880R	X	X	X	X	X

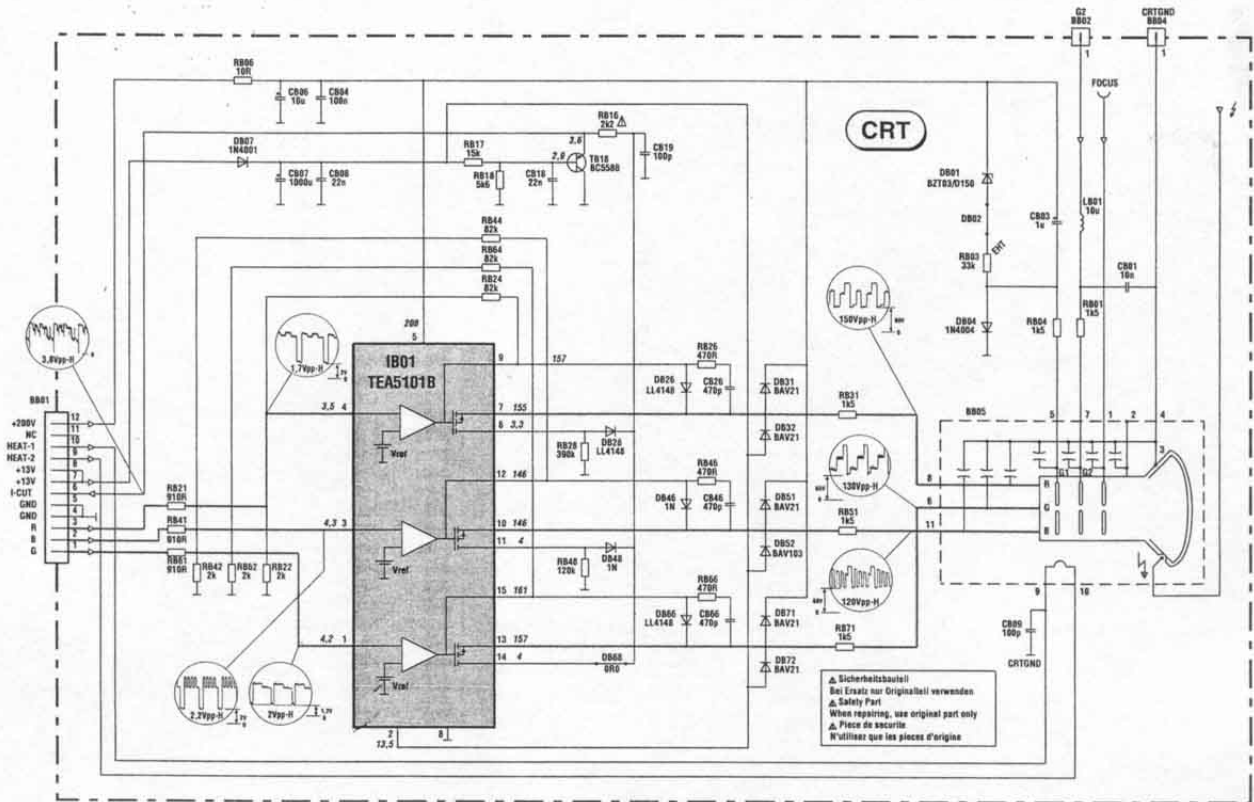


Mode	AV1	AV2	CTL1	CTL2
Vint	1	0	1	0
AV1	0	0	0	0
AV2	0	1	0	1
FCR	1	1	1	0

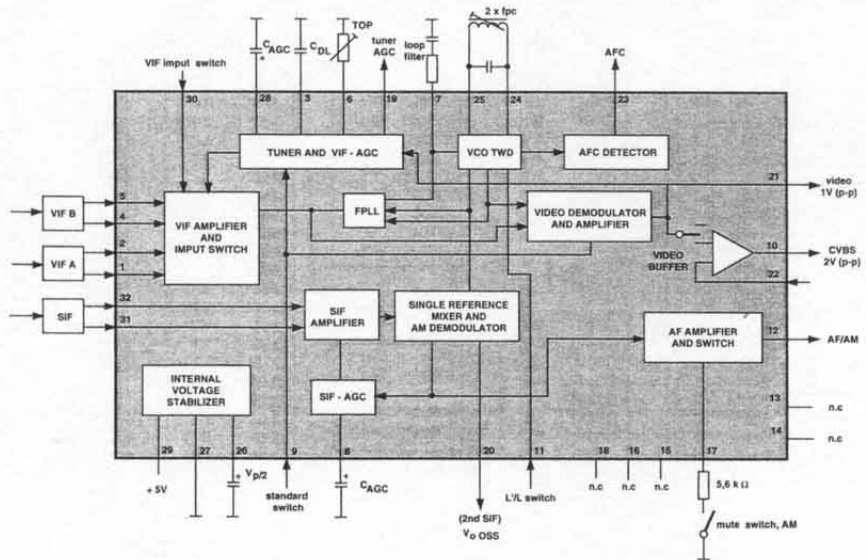
SPECIFIC 16/9

(L) HORIZONTAL DEFLECTION PART
DLX 2051

VIDEO AMPLIFIER VIDEO - AMPLIFIKATOR VIDEO - AMPLIFICATORE VIDEO - AMPLIFICADOR VIDEO



**TDA9811 BLOCK DIAGRAM
MULTISTANDARD VIF - PLL WITH QSS-IF AND AM DEMODULATOR**



MSP3400 / MSP3410 BLOCK DIAGRAM SOUNDPROCESSOR

