

IC OF THE  
 KIT®  
 TIAL PROPORTIONAL  
 RIVER  
 GDA-57-2

1. RESISTOR AND CAPACITOR NUMBERS ARE IN THE FOLLOWING GROUPS:

0-99 PARTS MOUNTED ON THE RECEIVER CIRCUIT BOARD.  
 100-199 PARTS MOUNTED ON THE DECODER CIRCUIT BOARD.

2. ALL RESISTORS ARE 1/4 WATT UNLESS MARKED OTHERWISE. RESISTOR VALUES ARE IN OHMS (K = 1,000).

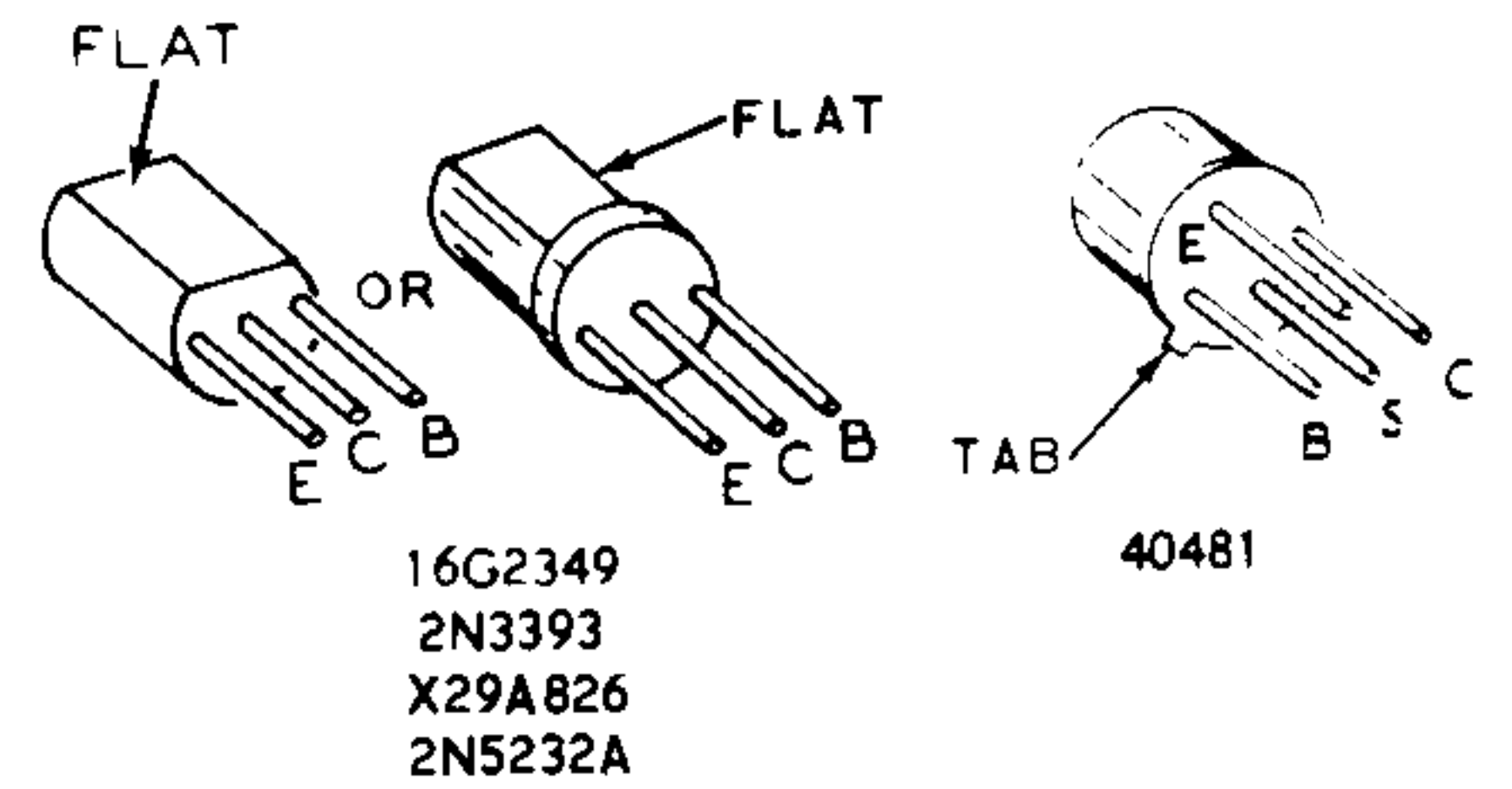
3. ALL CAPACITOR VALUES ARE IN μF UNLESS MARKED OTHERWISE.

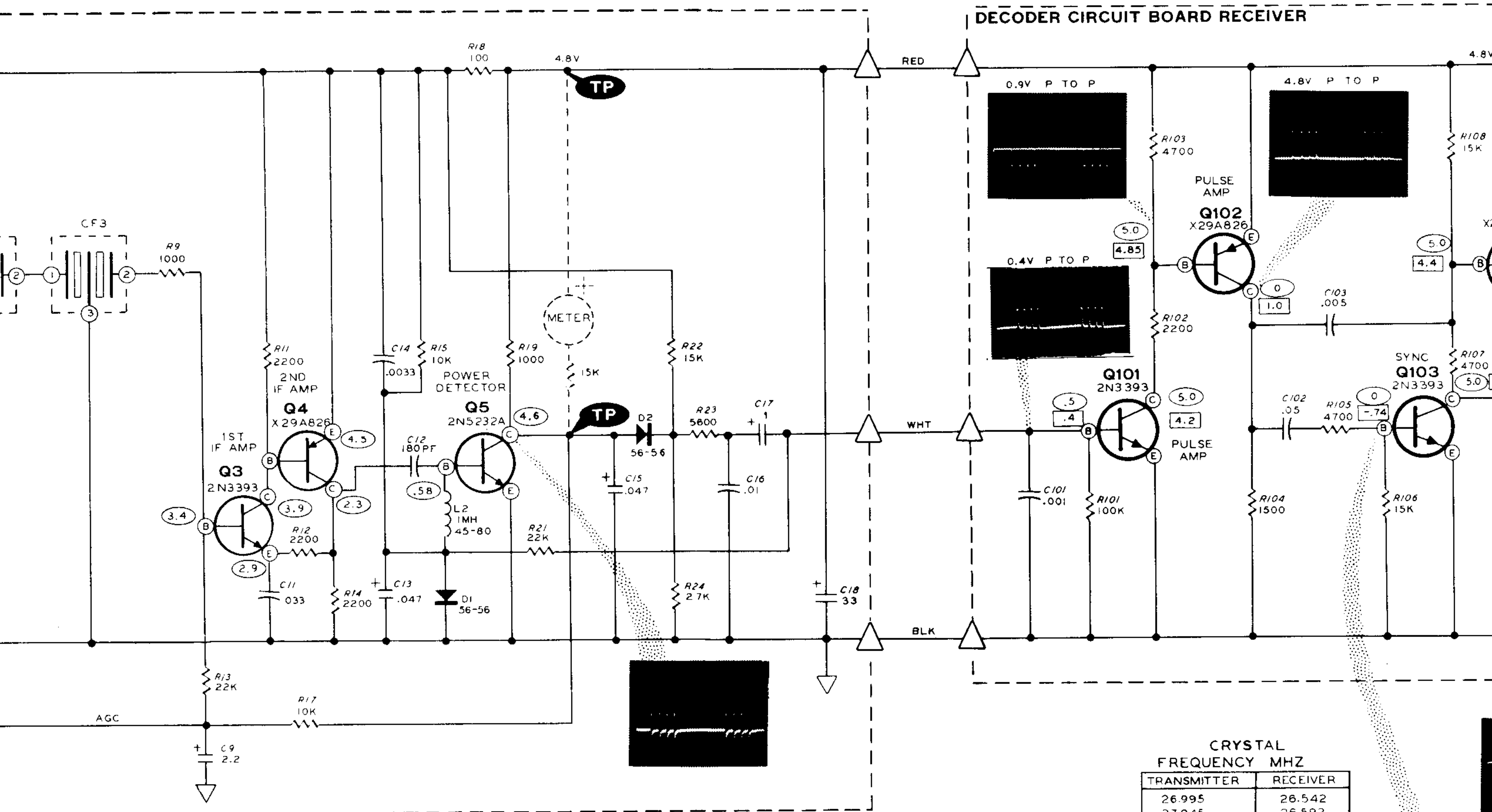
4. ○ THIS SYMBOL INDICATES A POSITIVE DC VOLTAGE MEASUREMENT WITH NO SIGNAL BEING RECEIVED.

5. □ THIS SYMBOL INDICATES A POSITIVE DC VOLTAGE MEASUREMENT WITH SIGNAL BEING RECEIVED.

6. ALL VOLTAGES ARE MEASURED WITH A HIGH IMPEDANCE VOLTMETER, FROM THE POINT INDICATED TO COMMON GROUND. VOLTAGES MAY VARY ±20%.

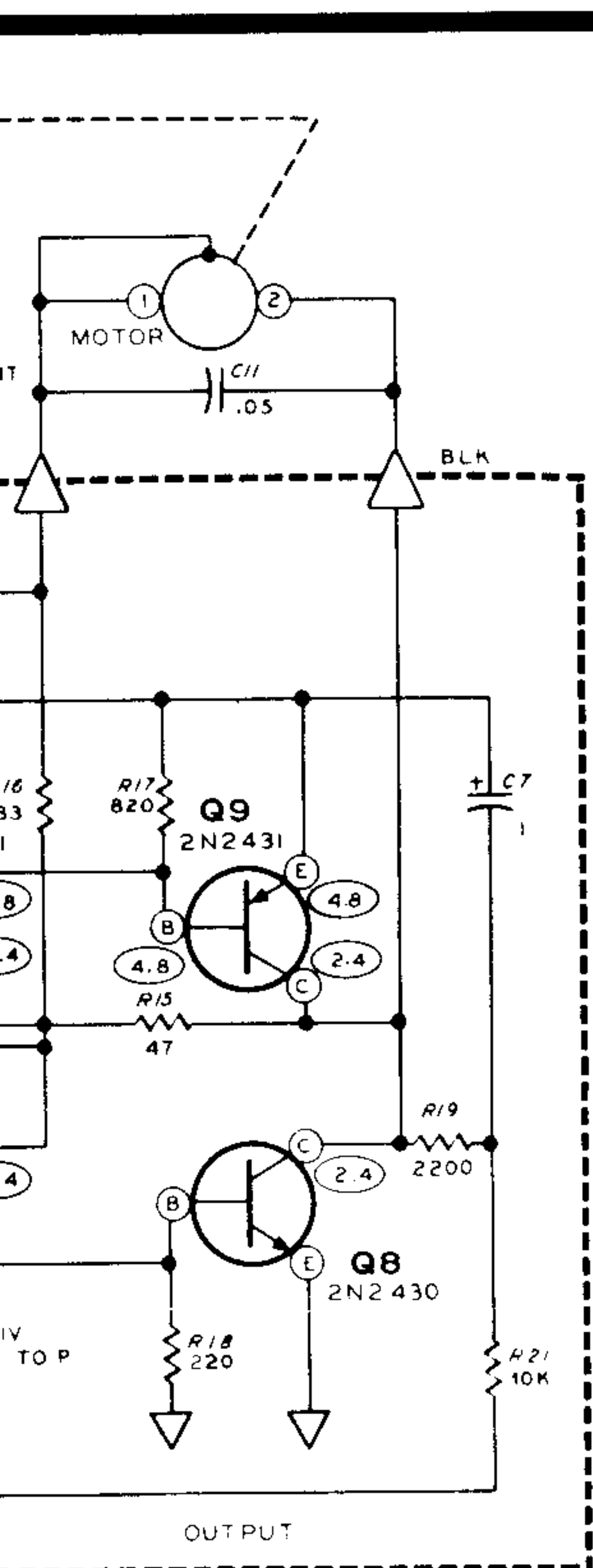
7. REFER TO THE CIRCUIT BOARD X-RAY VIEWS FOR THE PHYSICAL LOCATION OF PARTS.





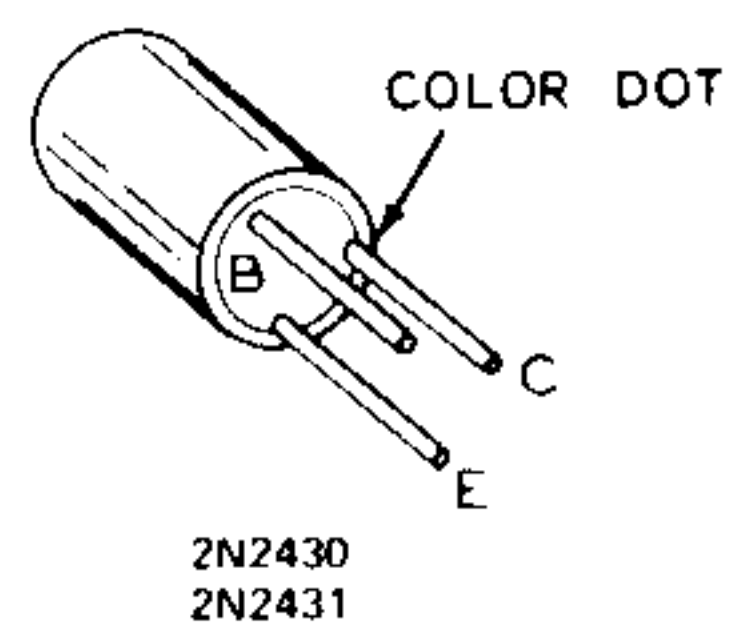
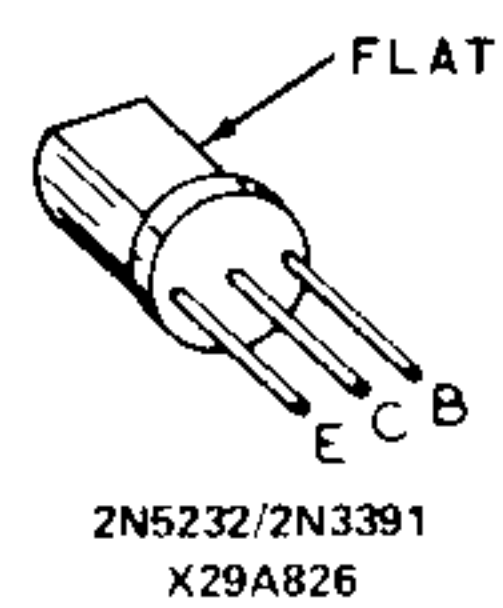
**CRYSTAL FREQUENCY MHZ**

	TRANSMITTER	RECEIVER
27 MHZ BAND	26.995	26.542
	27.045	26.592
	27.095	26.642
	27.145	26.692
	27.195	26.742
53 MHZ BAND	53.100	26.3235
	53.200	26.3735
	53.300	26.4235
	53.400	26.4735
	53.500	26.5235
72 MHZ BAND	36.040	36.2665
	36.120	36.3465
	36.200	36.4265
	36.480	36.7065
	37.820	37.5935

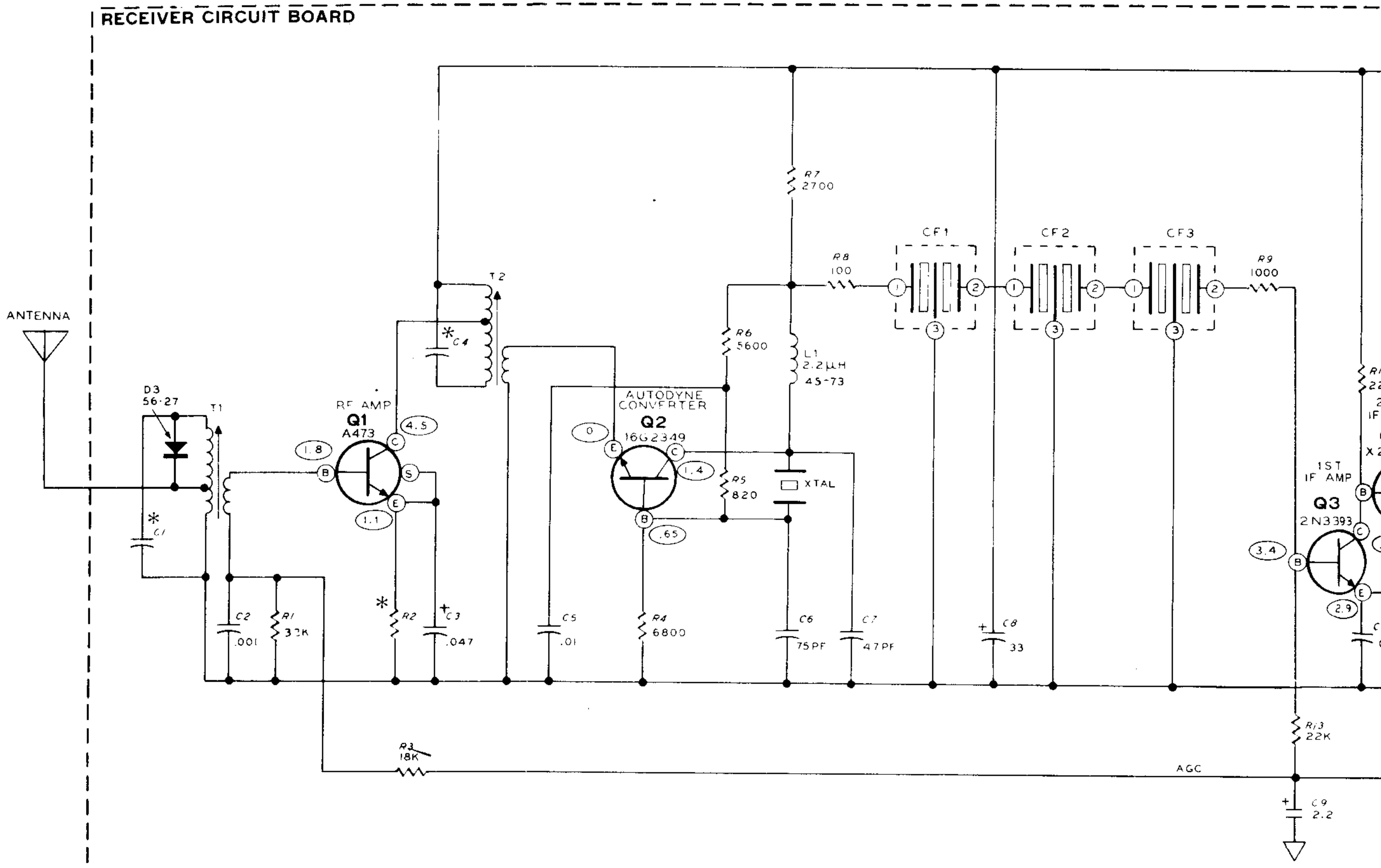


**SCHEMATIC OF THE  
HEATHKIT<sup>®</sup>  
DIGITAL PROPORTIONAL SERVO  
MODEL GDA-19-4**

1. ALL RESISTORS ARE 1/4 WATT. RESISTOR VALUES ARE IN OHMS (K = 1,000, M = 1,000,000).
2. ALL CAPACITOR VALUES ARE IN  $\mu$ F UNLESS MARKED OTHERWISE.
3. ○ THIS SYMBOL INDICATES A POSITIVE DC VOLTAGE MEASUREMENT WITH NO SIGNAL BEING RECEIVED.
4. ALL VOLTAGES ARE MEASURED WITH A HIGH IMPEDANCE VOLTMETER, FROM THE POINT INDICATED TO COMMON GROUND. VOLTAGES MAY VARY  $\pm 20\%$ .
5. REFER TO THE SERVO PHOTOGRAPHS AND CIRCUIT BOARD X-RAY VIEW FOR THE PHYSICAL LOCATION OF PARTS.
6. \* THESE WAVEFORMS SHOW THE DRIVE SIGNALS FOR BOTH DIRECTIONS.



**SCHEMATIC OF  
HEATHKIT<sup>®</sup>  
3-CHANNEL DIGITAL PROPORTIONAL  
RECEIVER  
MODEL GDA-19-4**



*	C1	C4	R2
27 MHZ	47PF	47PF	470
53-72 MHZ	27PF	27PF	2700

