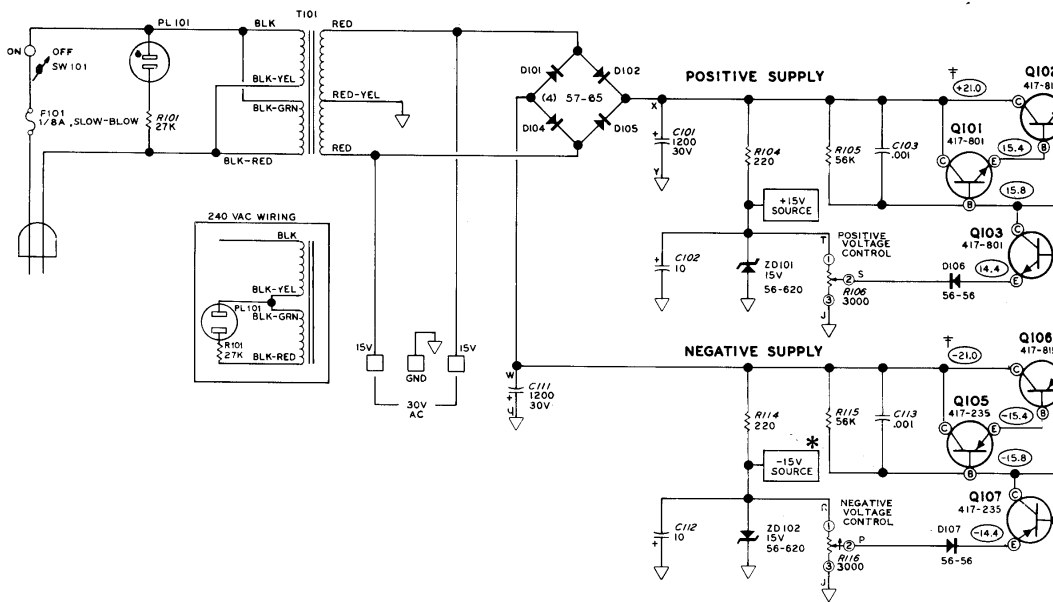
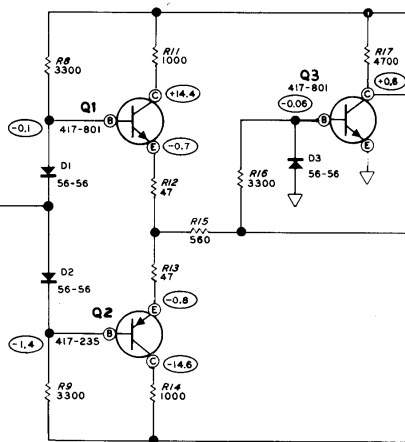
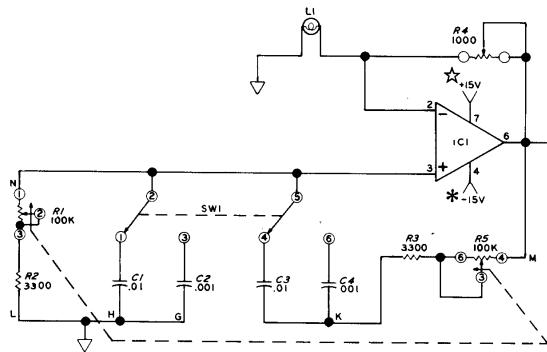
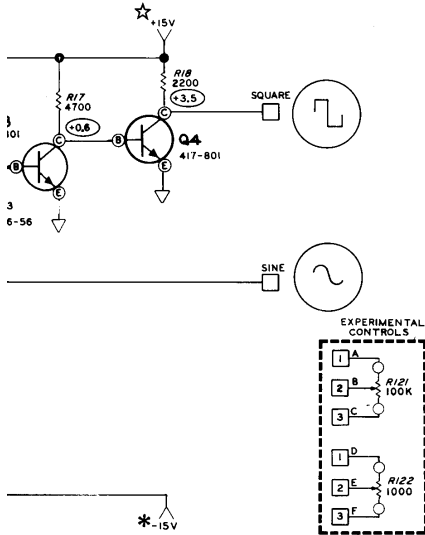


**SIGNAL GENERATOR**

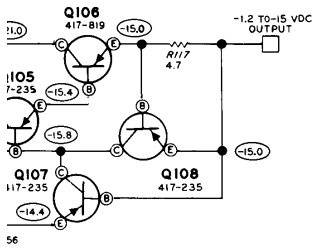
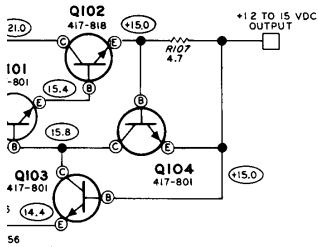




**SCHEMATIC OF THE  
HEATHKIT®  
ELECTRONIC DESIGN  
EXPERIMENTER  
MODEL ET-3100**

**NOTES:**

1. COMPONENT NUMBERS ARE IN THE FOLLOWING GROUPS:  
 1 - 99 PARTS IN THE SIGNAL GENERATOR.  
 100 - 199 PARTS IN THE POWER SUPPLIES AND TWO EXPERIMENTAL CONTROLS.
2. ALL RESISTORS ARE 1/2 WATT. RESISTOR VALUES ARE IN OHMS (K = 1000; M = 1,000,000).
3. ALL CAPACITOR VALUES ARE IN HF.
4. ○ THIS SYMBOL INDICATES A DC VOLTAGE TAKEN WITH A HIGH IMPEDANCE VOLT-METER FROM THE POINT INDICATED TO CHASSIS GROUND.
5. ☆ THIS SYMBOL INDICATES A CONNECTION TO THE +15 V SOURCE - NOT THE VARIABLE DC OUTPUT.
6. \* THIS SYMBOL INDICATES A CONNECTION TO THE -15 V SOURCE - NOT THE VARIABLE DC OUTPUT.
7. POWER SUPPLY VOLTAGES WERE TAKEN WITH BOTH OUTPUTS ADJUSTED TO 15 VOLTS.
8. ⚡ THIS SYMBOL INDICATES A VOLTAGE THAT WILL VARY AS THE LOAD AND LINE VOLTAGE VARY.
9. ↻ THIS SYMBOL INDICATES THE CLOCKWISE ROTATION OF A CONTROL.



**Copyright © 1976  
Heath Company  
All Rights Reserved  
Printed in the United States of America**

Part of 595-1734-02