

# SPECIFICATIONS

Sensitivity. . . . .	20,000 ohm/volt DC, 1000 ohm/volt AC.
Range -	
DC Volts. . . . .	1.6 - 8 - 40 - 160 - 400 - 800 - 4000.
AC Volts. . . . .	1.6 - 8 - 40 - 160 - 400 - 1600.
DC Current. . . . .	80 microamperes, 1.6 - 8 - 80 - 800 milli- amperes, 8 amperes.
Ohmmeter. . . . .	Rx1, Rx10, Rx100, Rx1000, Rx10,000.
Decibels (DB). . . . .	-15 to +6, -1 to +20, +13 to +34, +25 to +46, +33 to +54.
Accuracy. . . . .	±2% full scale on 1.6 to 800 V DC ranges. ±3% full scale on 4000 V DC range. ±3% on all AC ranges. ±2 divisions, as read on the 0-16 scale, on all ohms ranges.
Front Panel Controls. . . . .	Function-Range switch. Ohms Adjust control.
Meter Movement. . . . .	50 microamperes, 1125 Ω, diode-protected.
Batteries. . . . .	1 type D cell, 1.5 volts. 1 "B-C" battery, 15 volts (Eveready #411).
Dimensions. . . . .	6-5/8" wide x 7-5/8" high x 3-1/8" deep (overall).
Net Weight. . . . .	3 lbs. 1 oz.
Shipping Weight. . . . .	4 lbs.



All prices are subject to change without notice. The Heath Company reserves the right to discontinue instruments and to change specifications at

any time without incurring any obligation to incorporate new features in instruments previously sold.

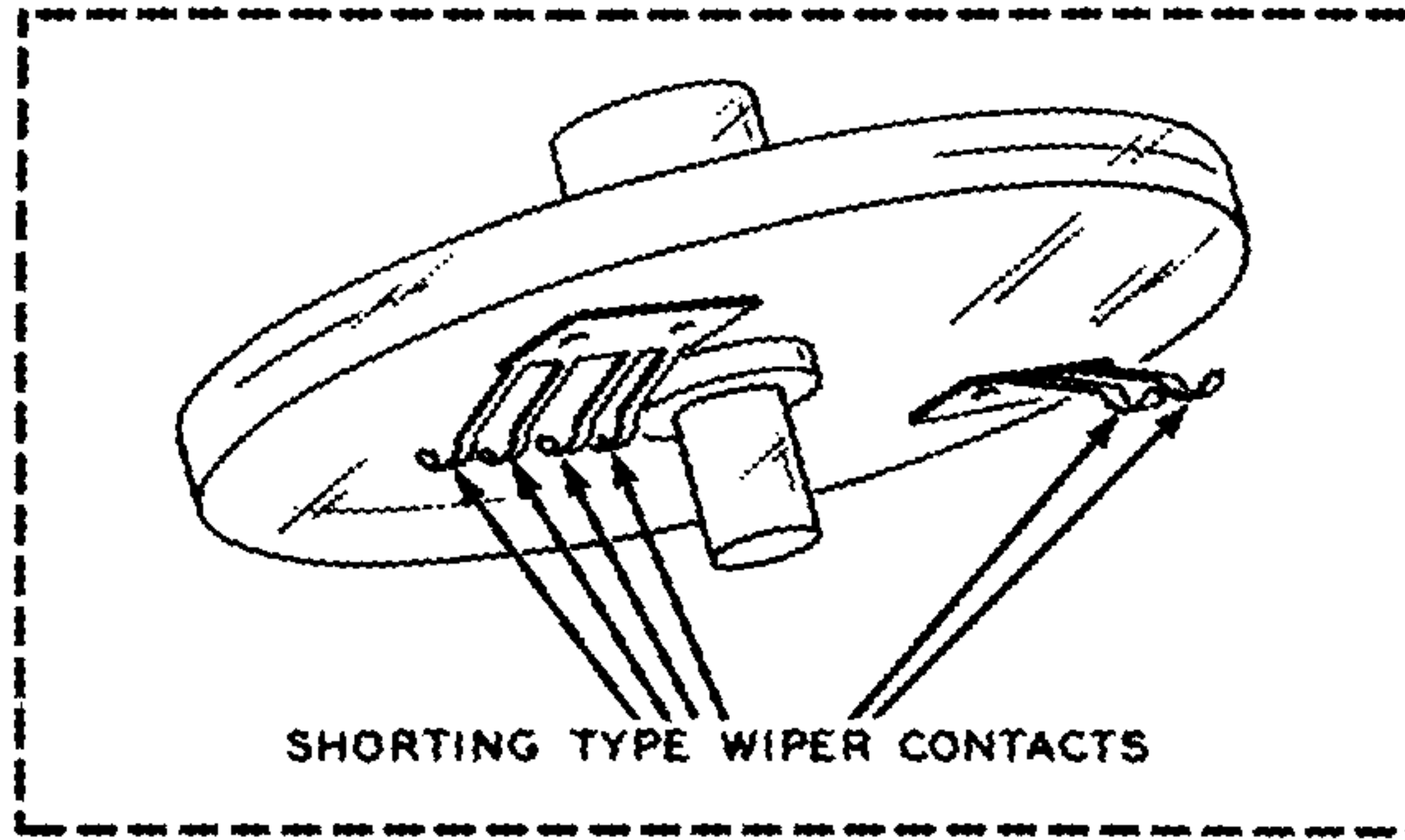
## INTRODUCTION

The Weston Model 980 Mark II Analyzer has been designed to provide high accuracy, dependable service and convenient portable operation. The combination Function-Range switch allows you to rapidly perform a wide variety of measurements without changing the test lead connections to the Analyzer. Separate input jacks extend the measurement ranges as follows: DC volts to 4000 V, AC volts to 1600 V, and current to 8 amperes. A 1/4 ampere fuse is also provided to protect the ohmmeter circuit from severe overloads on the lower two ranges. A "transit" switch position (80 ma range) pro-

vides maximum damping for the meter movement when the instrument is being transported.

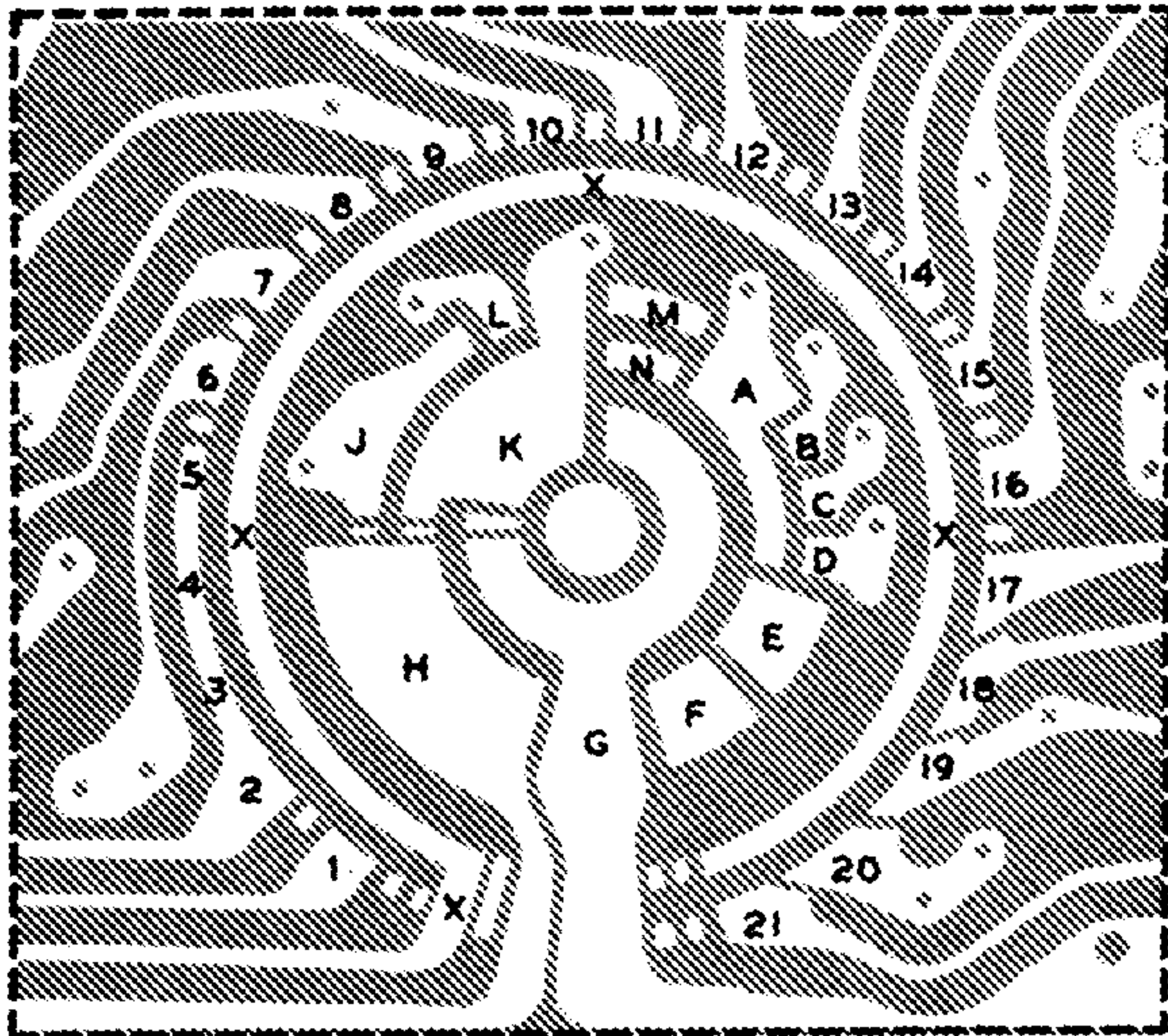
This instrument is one of the units included in the Malmstadt-Enke EU-100A Instrumentation Laboratory. It is available as an individual unit, or it can be purchased at a special group price when included with the total EU-100A System. The units of the complete EU-100A Laboratory Station are useful not only in learning electronic concepts, but also in research and development, and control instrumentation.

# CIRCUIT BOARD SWITCH DETAILS

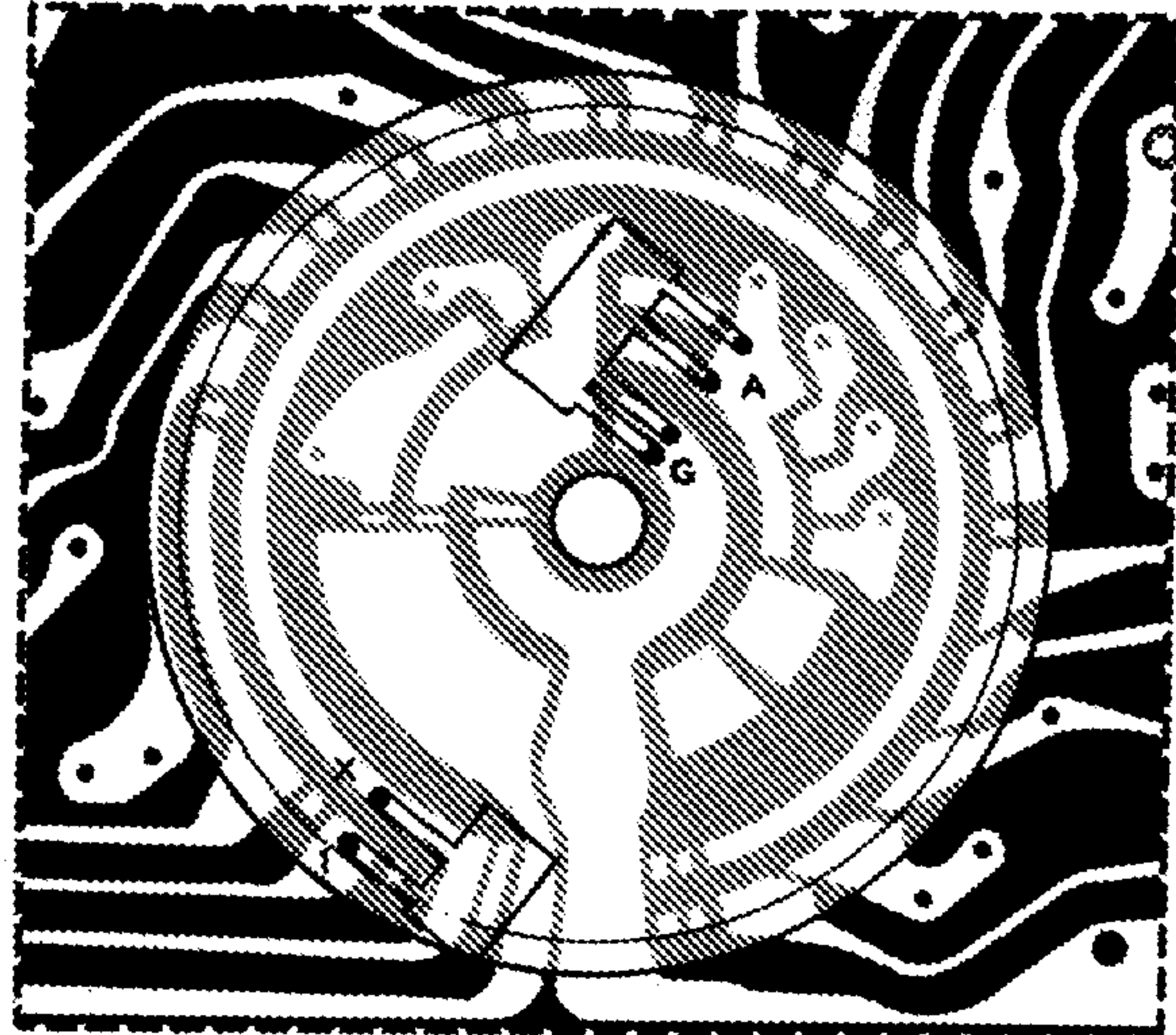


SHORTING TYPE WIPER CONTACTS

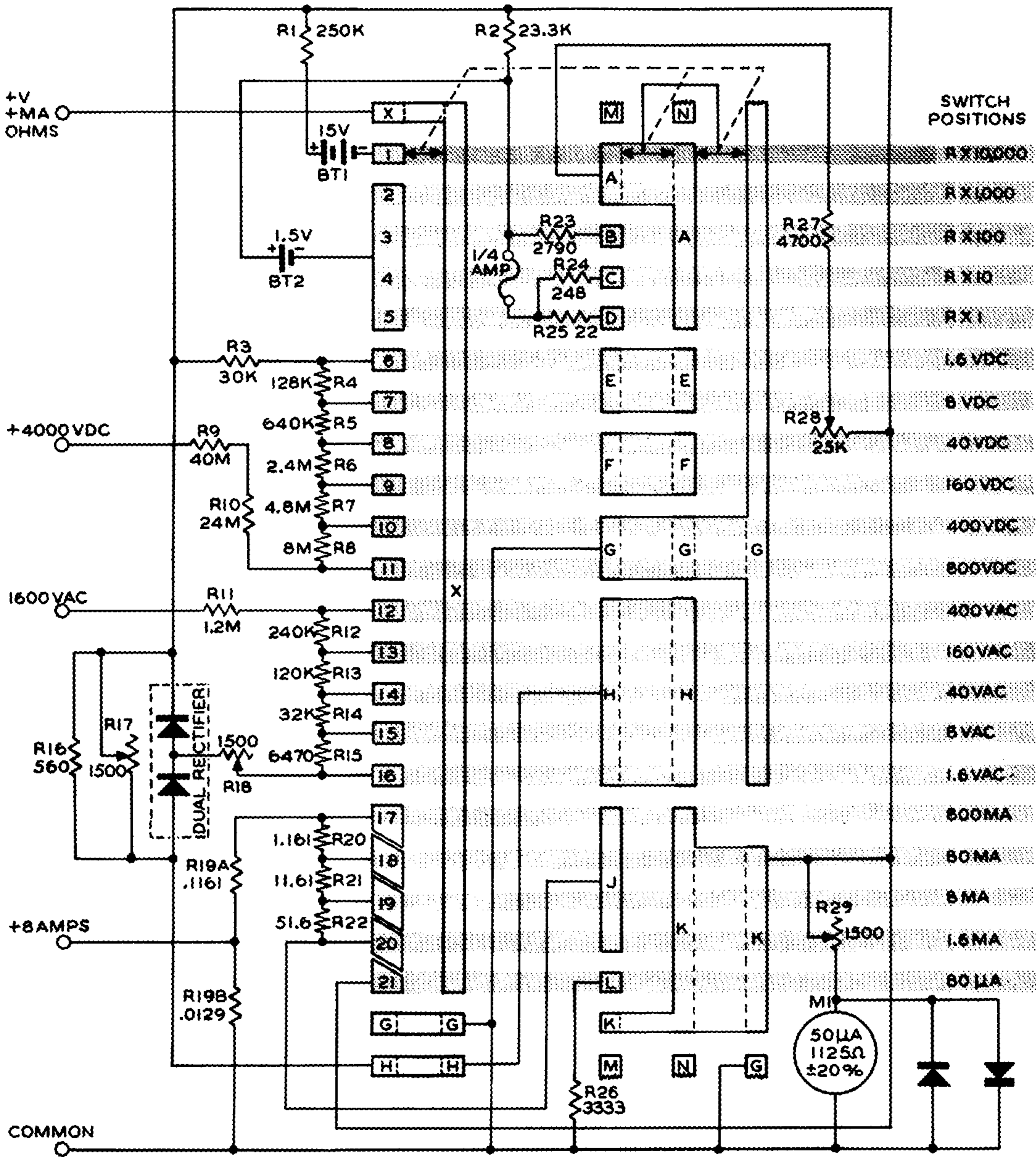
PLASTIC DISC



FOIL NUMBERS AND LETTERS



SWITCH SHOWN IN RX10,000 POSITION



NOTES: EACH LETTERED AREA REPRESENTS AN INDIVIDUAL FOIL ON THE CIRCUIT BOARD, SEE CIRCUIT BOARD SWITCH DETAILS ON ADJACENT PAGE.

THE SHADED AREAS INDICATE THE FOILS THAT WILL BE CONNECTED IN THE CIRCUIT IN EACH SWITCH POSITION.