

INTRODUCTION

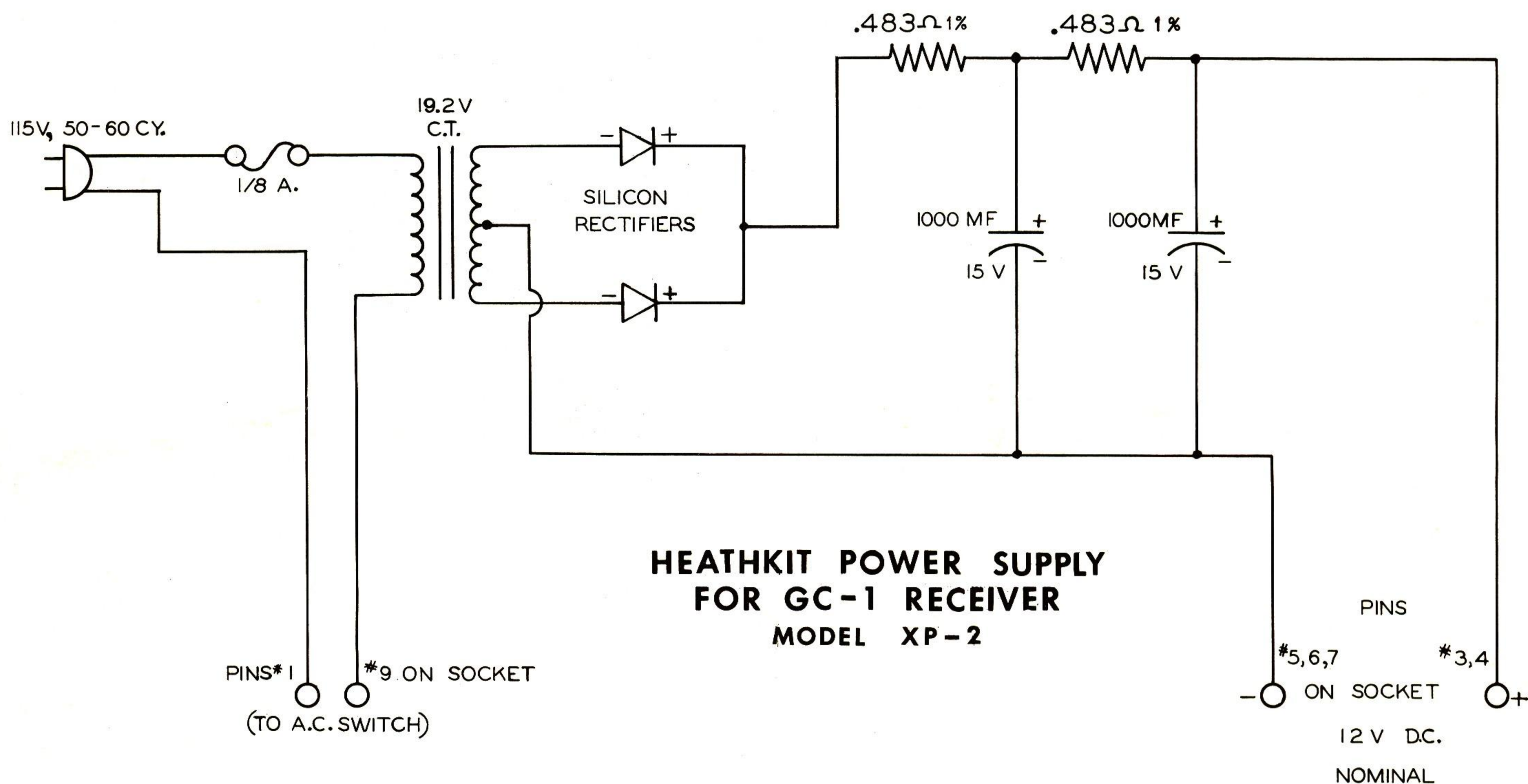
The HEATHKIT Model XP-2 Power Pack has been designed for use with the Model GC-1 Receiver to supply direct current at 12 volts, up to 200 milliamperes continuously. If the GC-1 Receiver is to be operated from a 117 volt AC out-

let socket, the XP-2 Power Pack should be installed in the rear of the cabinet, connecting the power plug of the receiver to the socket of the power pack.

CIRCUIT DESCRIPTION

The Model XP-2 Power Pack utilizes a full-wave rectifier circuit with a 2-section RC filter. The pilot lamps of the GC-1 Receiver are connected in the circuit as a bleeder resistor. The rectifiers are silicon diodes which have a peak cur-

rent rating of thirty times the power pack requirement. This accounts for the low internal impedance and excellent voltage regulation of the XP-2. A protective fuse is included in the primary circuit of the power transformer.



CONSTRUCTION NOTES

This manual is supplied to assist you in every way to complete your kit with the least possible chance for error. The arrangement shown provides for the optimum accommodation of all components in a minimum of available space and is the result of extensive experimentation and trial. If followed carefully, you will have constructed a stable, dependable receiver power supply unit. We suggest that you retain the manual in your files for future reference, both in the use of the unit and for its maintenance.

UNPACK THE KIT CAREFULLY AND CHECK EACH PART AGAINST THE PARTS LIST. In so doing, you will become acquainted with the parts. Refer to the charts and other information on the inside covers of your manual to help you identify the components. If some shortage or parts damage is found in checking the Parts List, please read the REPLACEMENT section and supply the information called for therein, and include all inspection slips in your letter to us. Hardware items are counted by weight and there