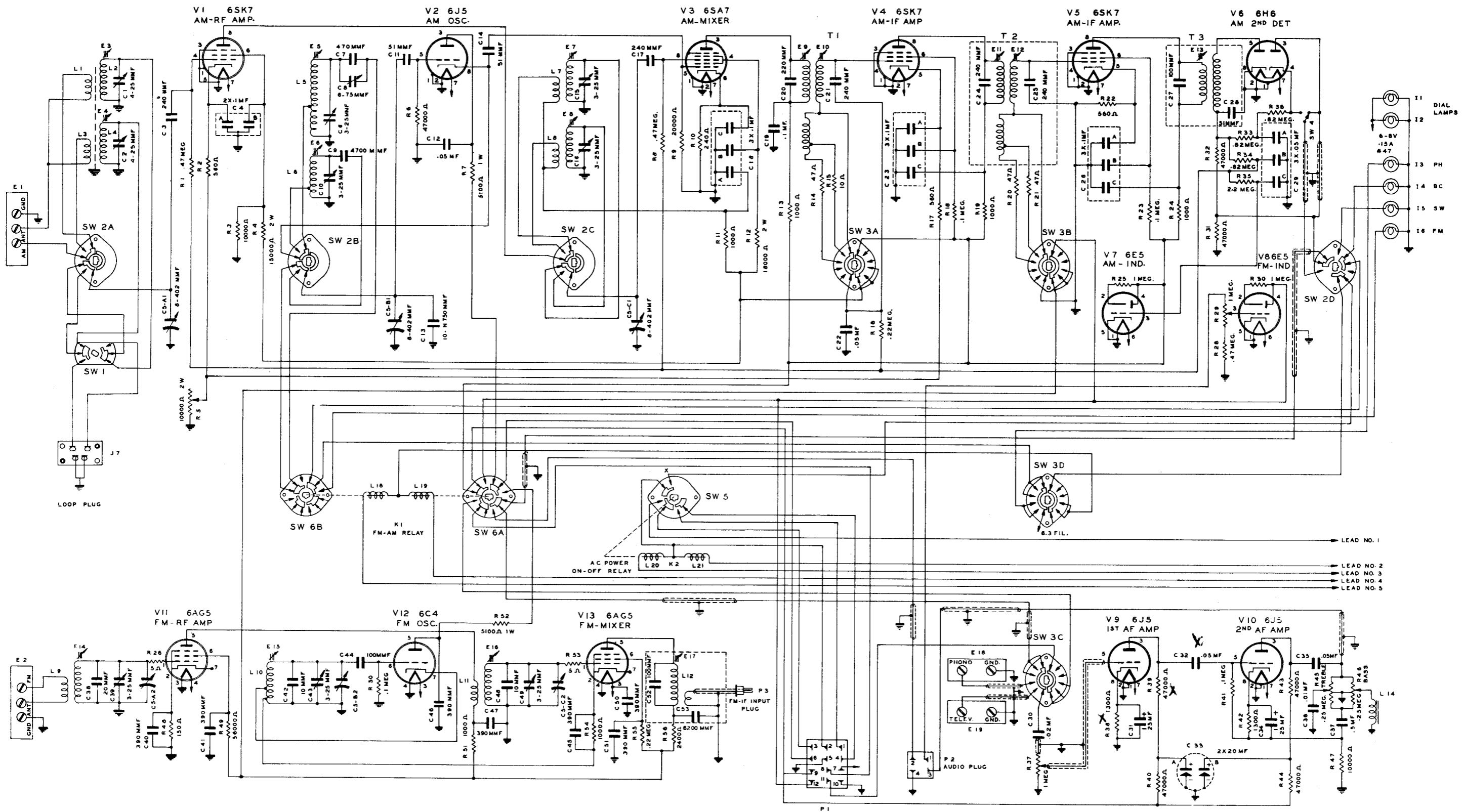


MODEL 800 B RECEIVER CHASSIS  
 FEBRUARY 1, 1946  
 SCOTT RADIO LABORATORIES INC.  
 CHICAGO 40 ILLINOIS

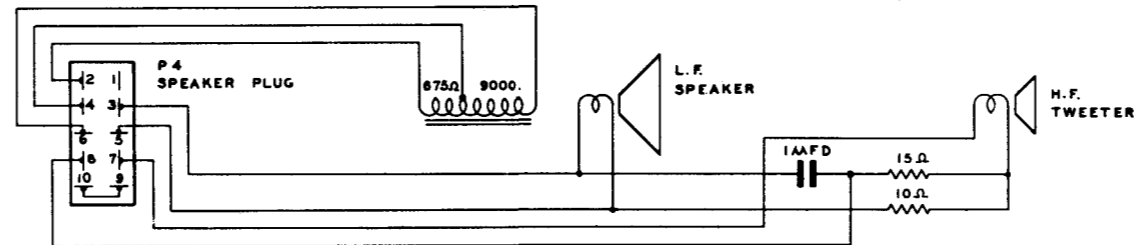
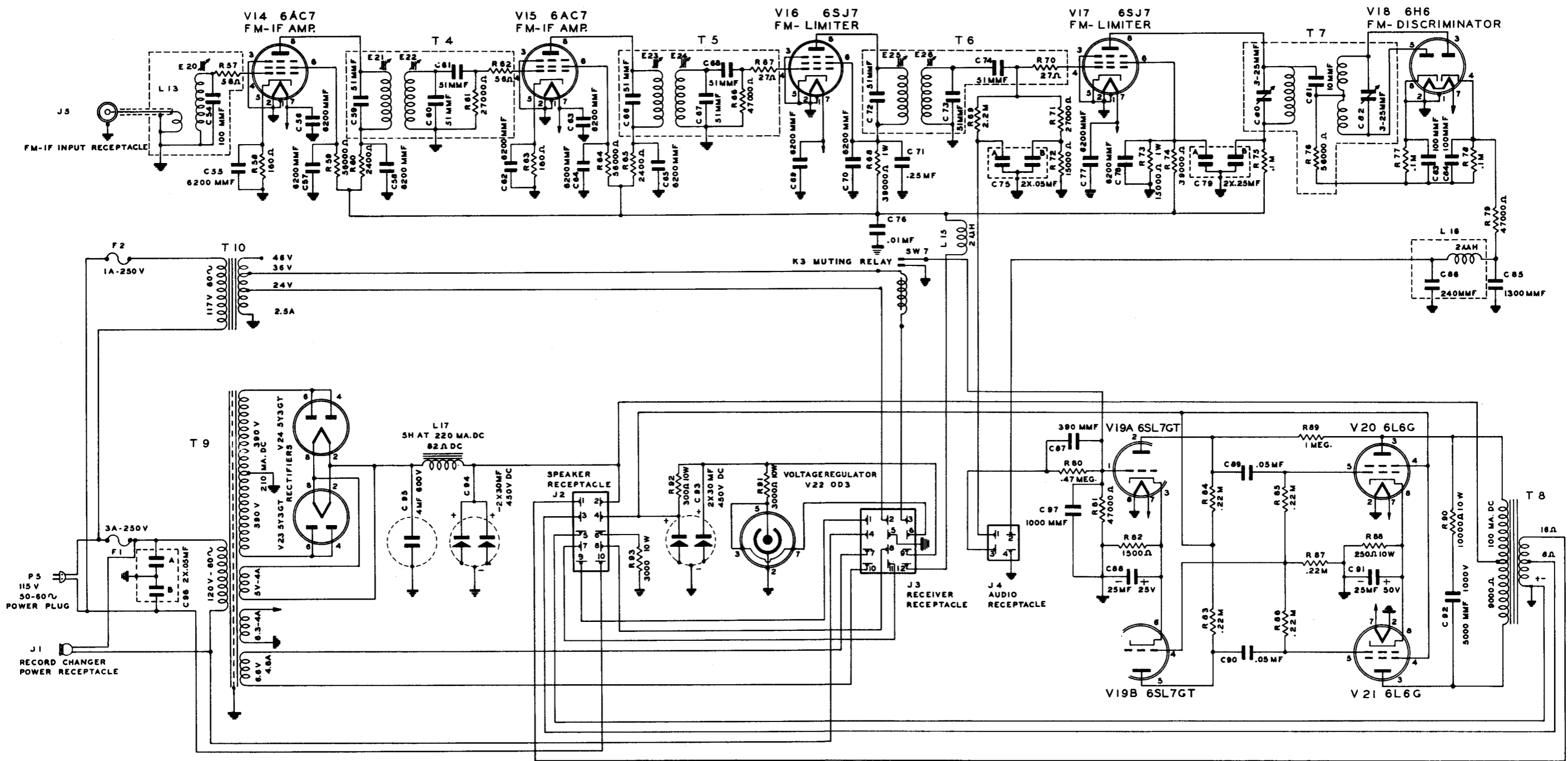
Figure 25 Schematic Diagram Model 800-B Receiver Chassis



Change R39 to 100K  
 C32 to .006  
 R38 to 470  
 For Resistance Pickups

REVISED MODEL 800B RECEIVER CHASSIS  
 JUNE 25, 1946  
 SCOTT RADIO LABORATORIES INC.  
 CHICAGO 40 ILLINOIS

Figure 26 Revised Schematic Diagram Model 800-B Receiver Chassis



MODEL 800B POWER SUPPLY  
FEBRUARY 1, 1946

SCOTT RADIO LABORATORIES INC.  
CHICAGO 40 ILLINOIS

Figure 27 Schematic Diagram Model 800-B Power Supply

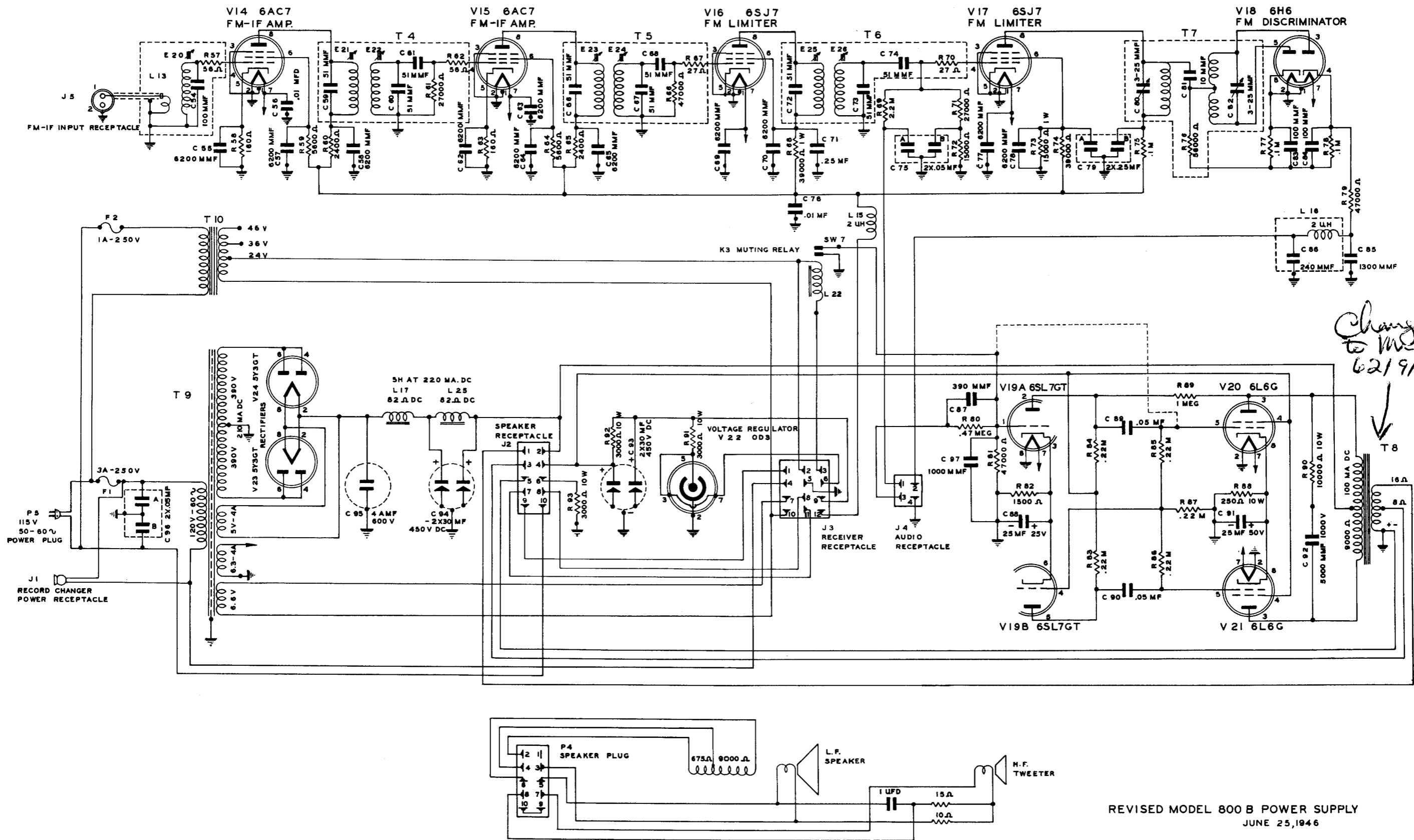


Figure 28 Revised Schematic Diagram Model 800-B Power Supply

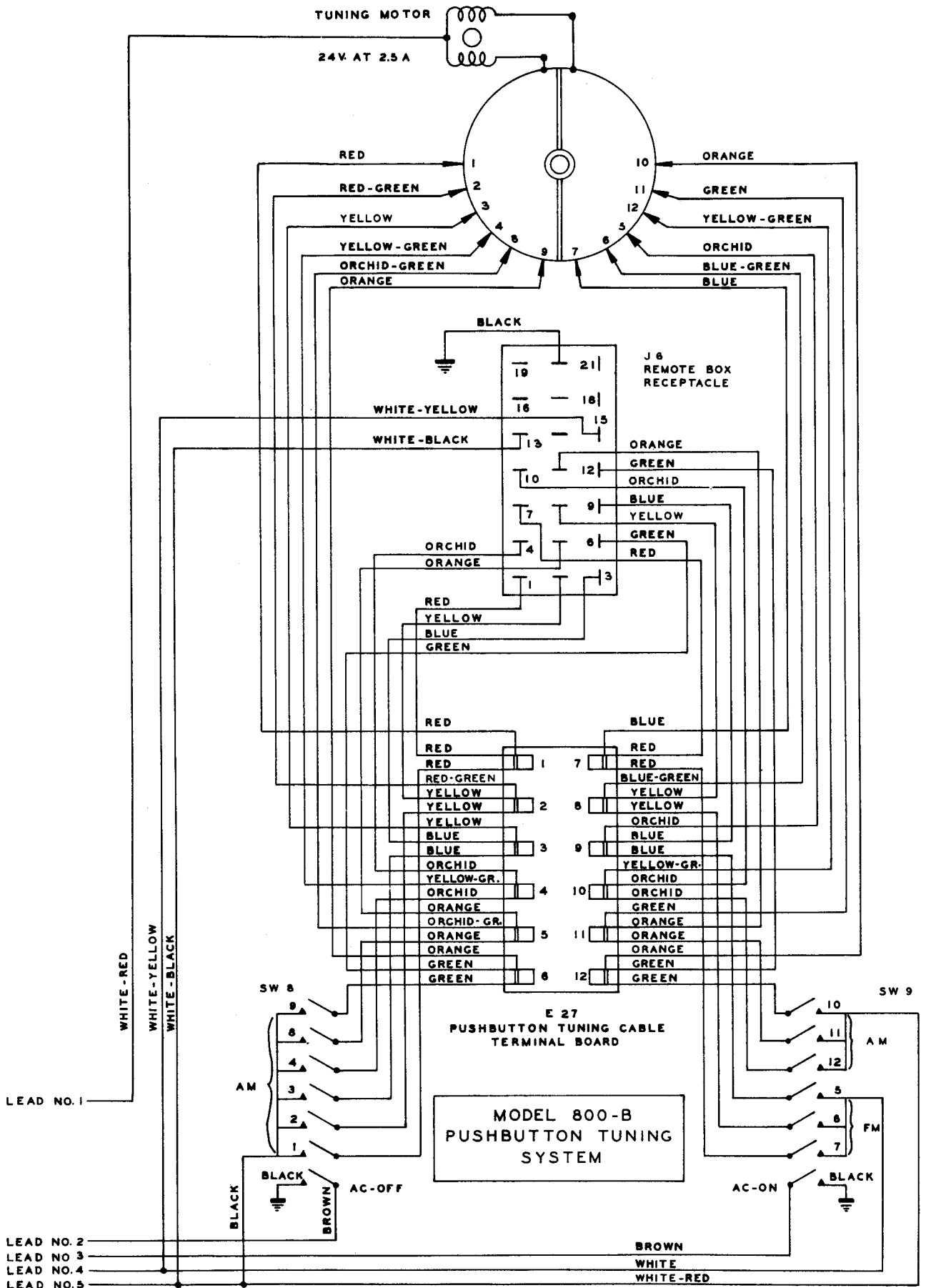


Figure 29 Schematic Diagram Pushbutton Tuning System

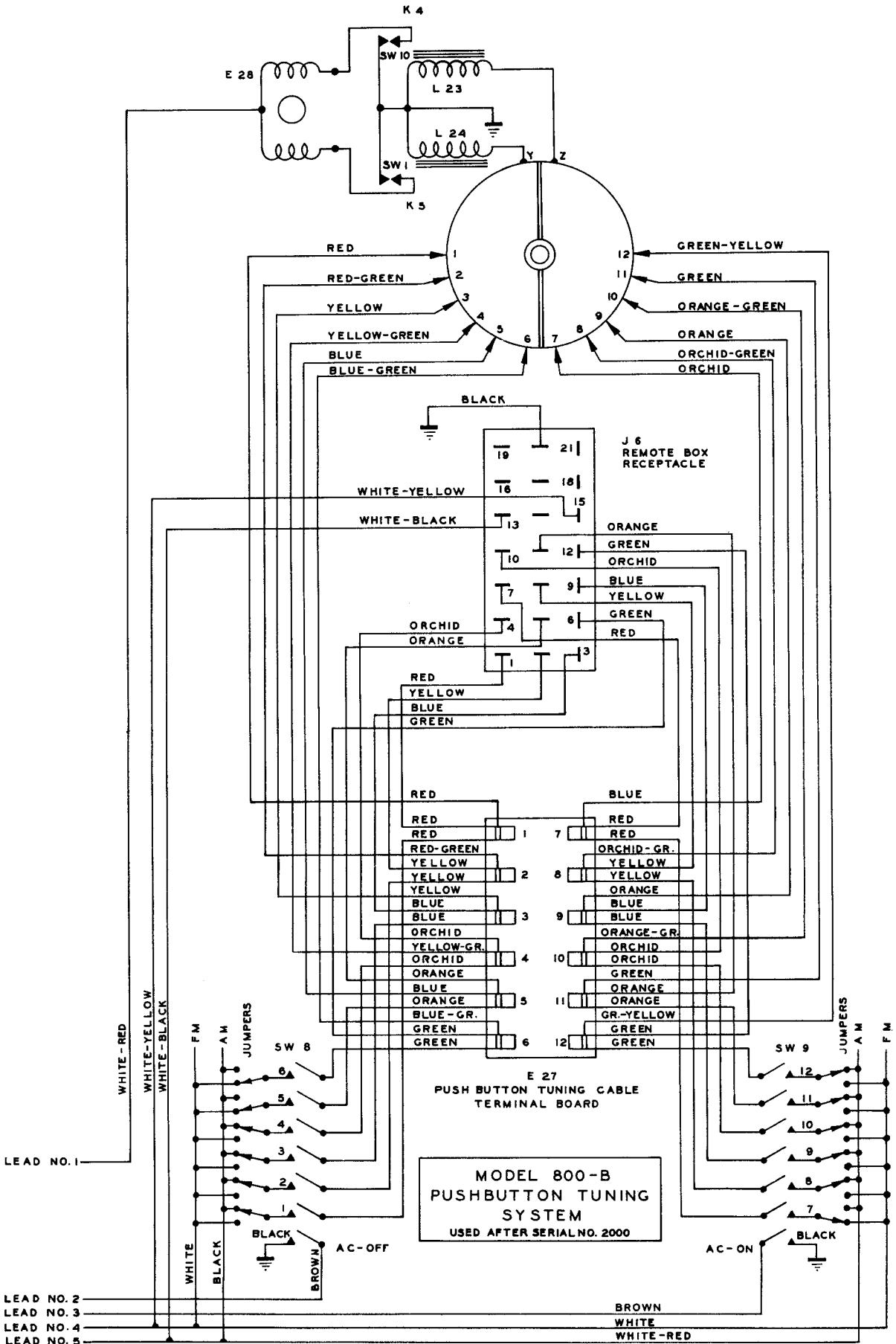


Figure 30 Revised Schematic Diagram Pushbutton Tuning System -83-