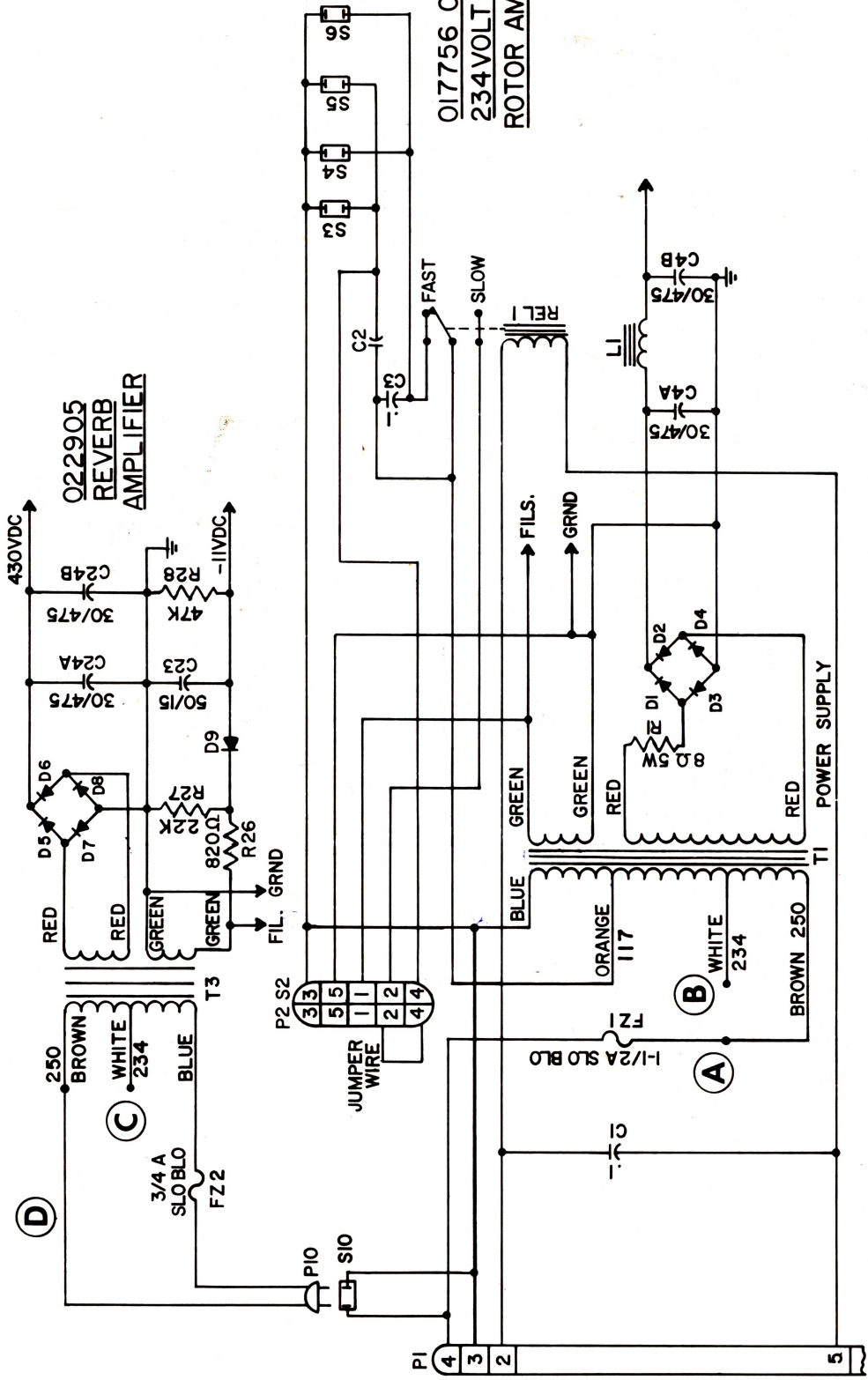
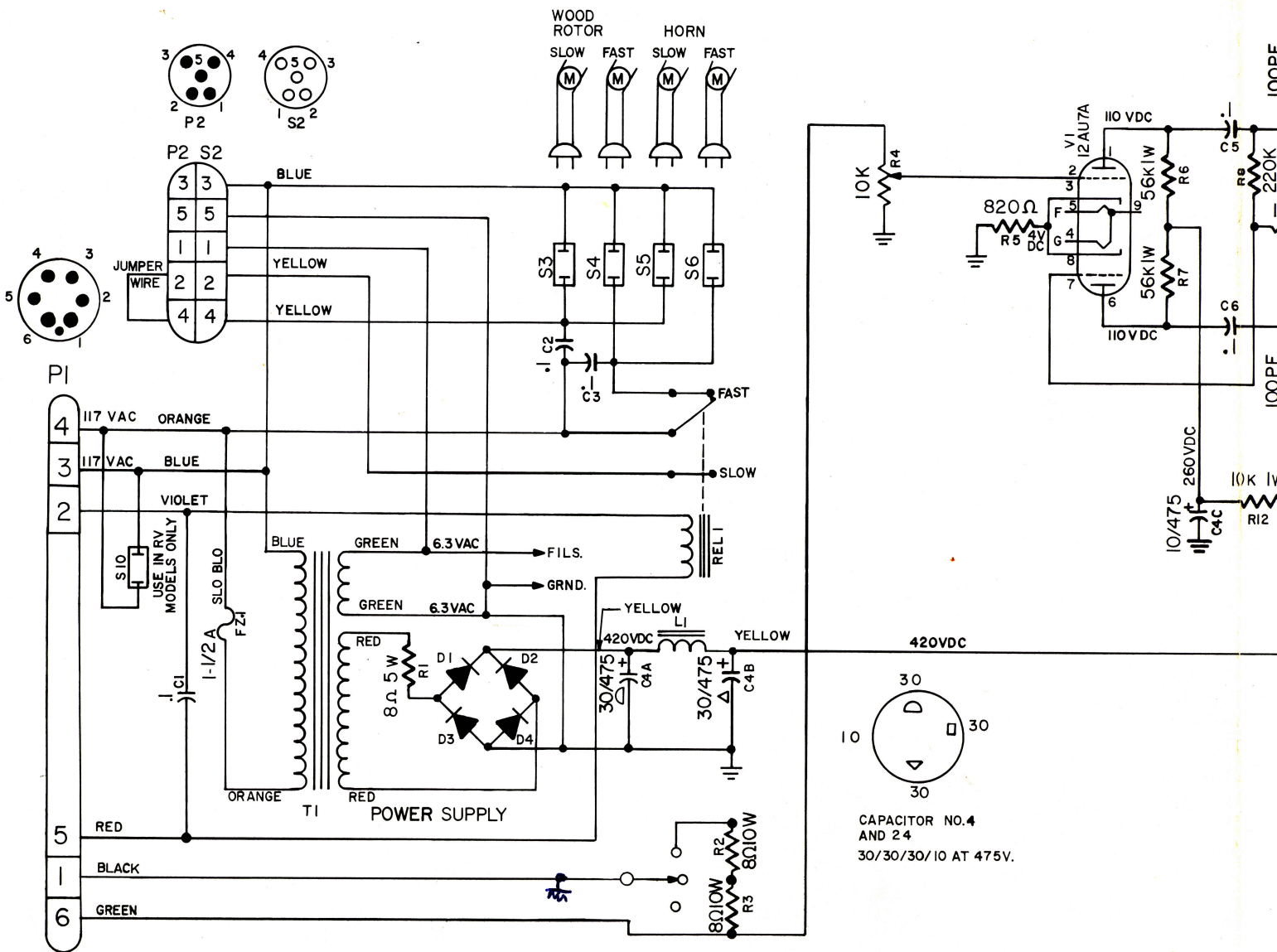
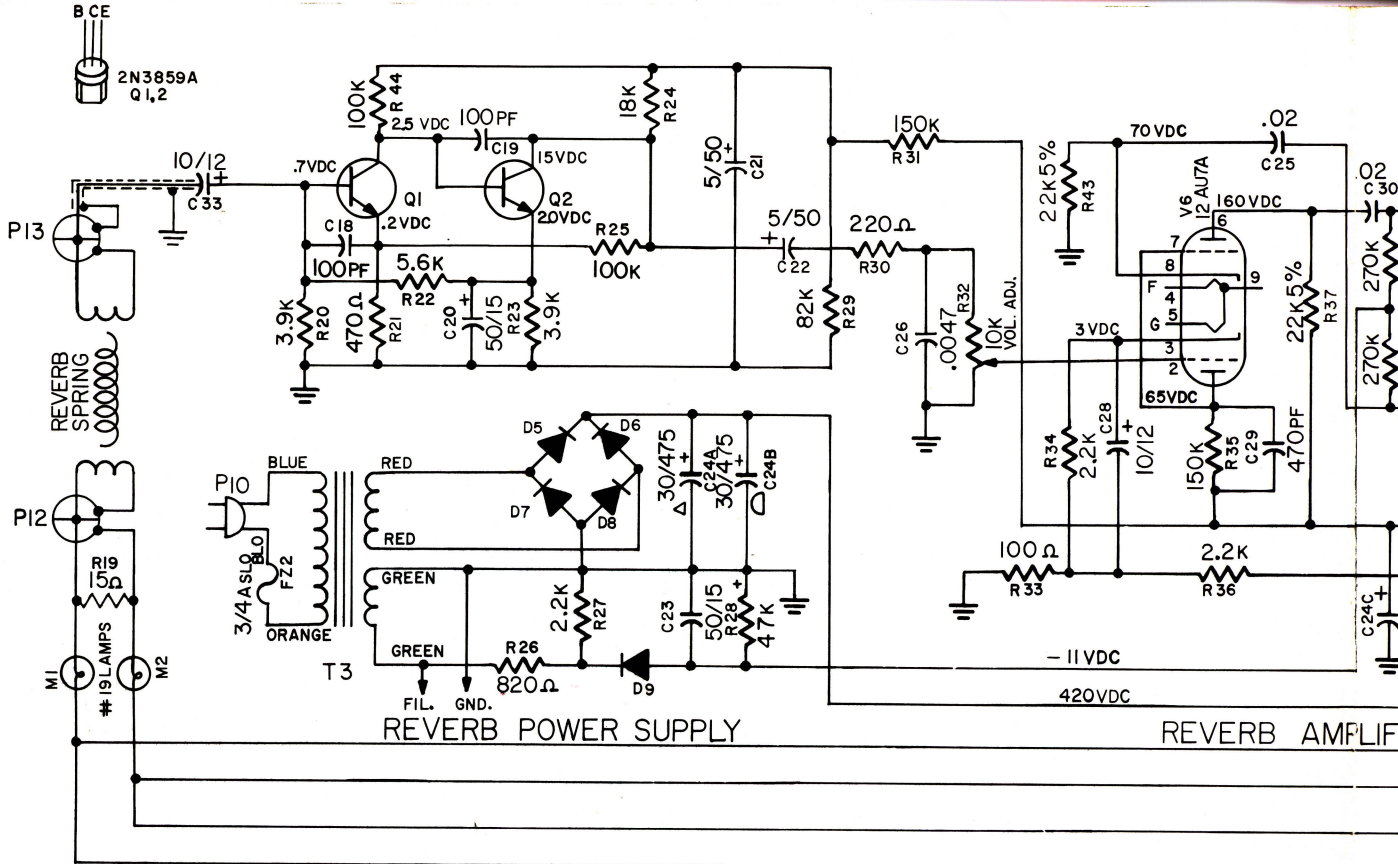
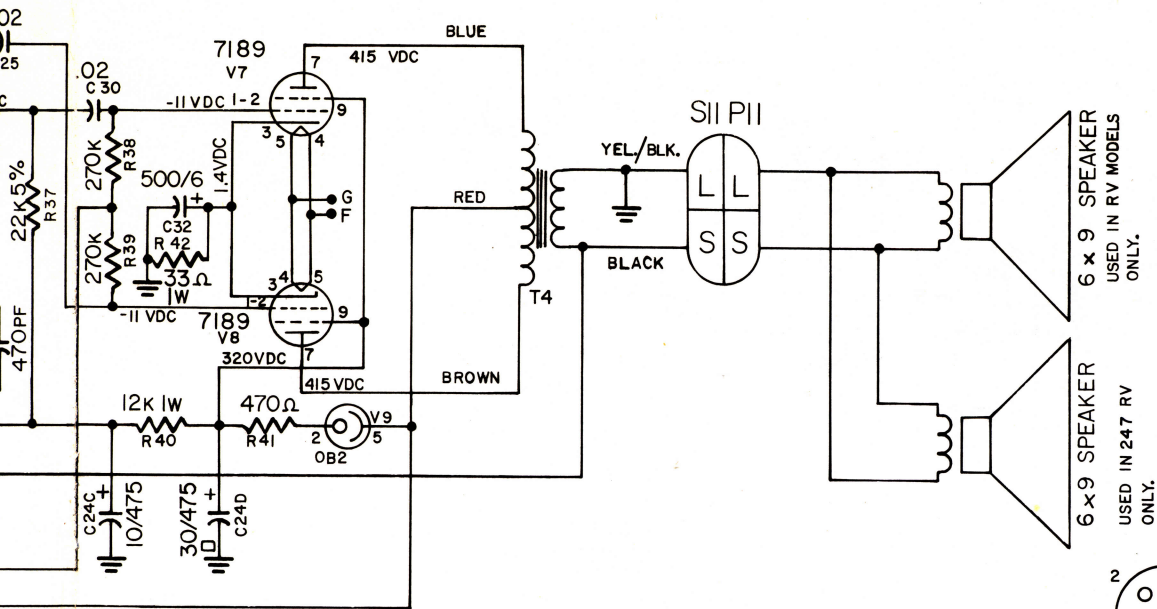


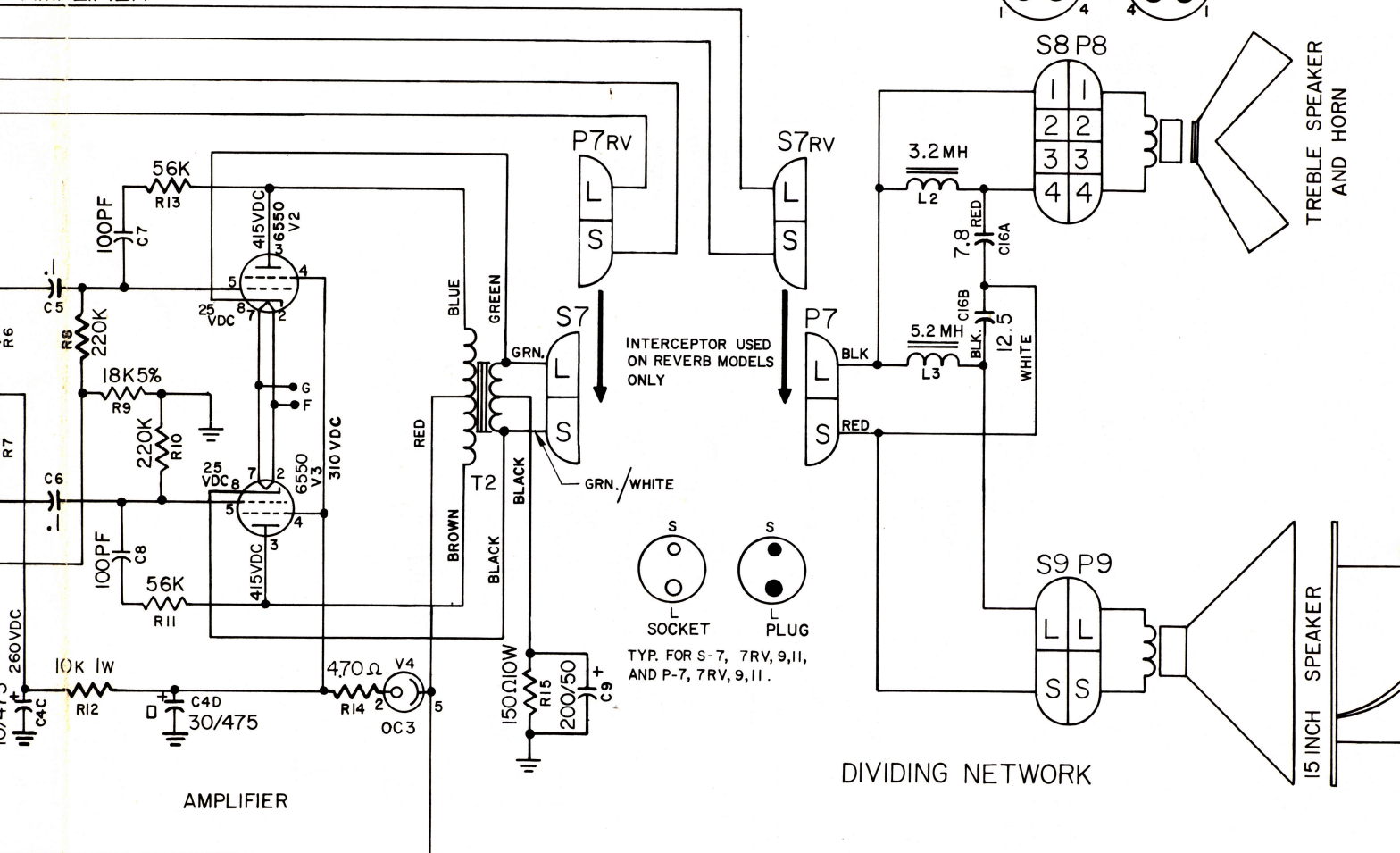
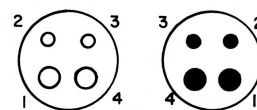
**017756 OR 147  
234VOLT TYPE  
ROTOR AMPLIFIER**







AMPLIFIER



AMPLIFIER

DIVIDING NETWORK