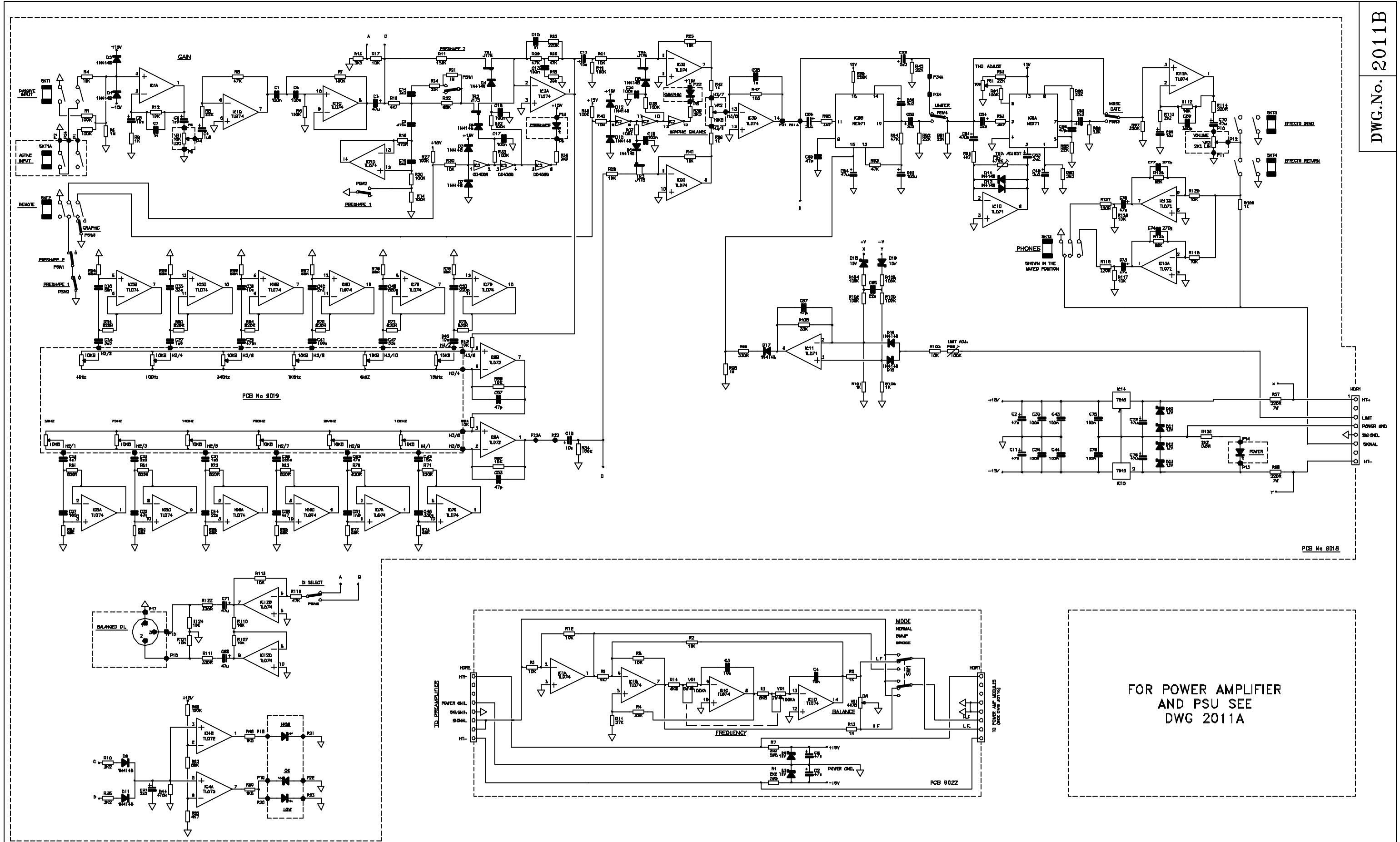


| ISSUE | DESCRIPTION | APPD. | DATE | TITLE  | DRAWN       | TRACED | CHECKED | APPROVED | DATE   |
|-------|-------------|-------|------|--|-------------|--------|---------|----------|--------|
|       |             |       |      | <p><b>LANEY</b></p> <p>G300H POWER<br/>MODULE CIRCUIT</p> <p>PART No</p> | D.E.H       |        |         |          | 9/6/92 |
|       |             |       |      |  | DRAWING No. | 2011A  |         |          |        |



FOR POWER AMPLIFIER  
AND PSU SEE  
DWG 2011A

| ISSUE | DESCRIPTION | APPD. | DATE | TITLE                                      | DRAWN       | TRACED | CHECKED | APPROVED | DATE     |
|-------|-------------|-------|------|--|-------------|--------|---------|----------|----------|
|       |             |       |      | G300H PREAMP<br>CIRCUIT DIAGRAM<br>PART No | D.E.H       |        |         |          | 22/06/92 |
|       |             |       |      |  | DRAWING No. | 2011B  |         |          |          |

**LANEY**