

TT50H

Service Information

Laney
Classic British Amplification

Newlyn Road, Cradley Heath, West Midlands. B64 6BE
www.laney.co.uk

TT50H

Service Information

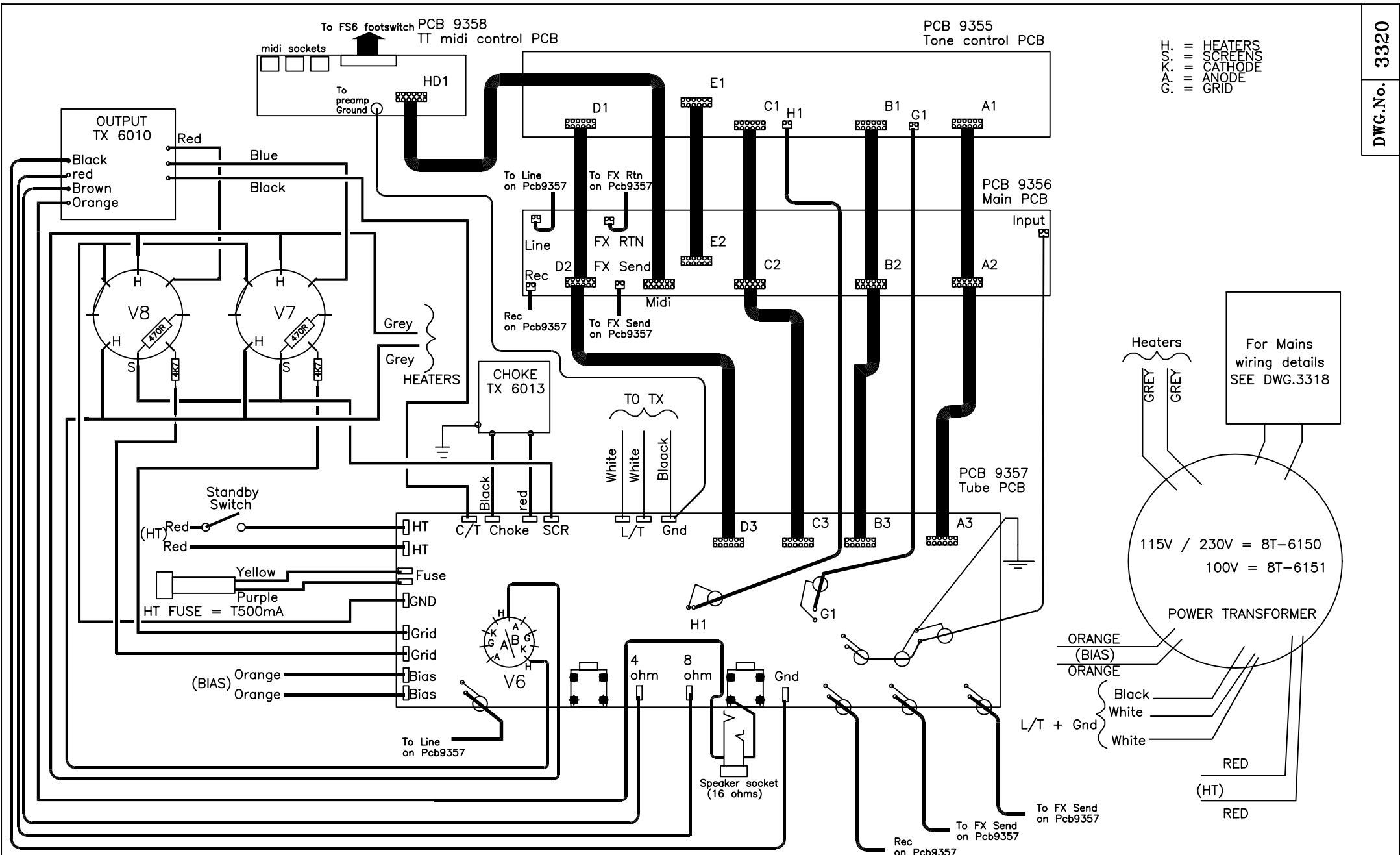
Contents

- 1. Contents**
- 2. TT50H Schematic drawing**
- 3. TT50H Mains wiring**
- 4. Tone Control Pcb - 9355 issue 3**
- 5. Tone Control Pcb - 9355 issue 4**
- 6. Main Preamp Pcb - 9356 issue 3**
- 7. Main preamp Pcb - 9356 issue 4**
- 8. Tube Pcb - 9357 issue 3**
- 9. Tube Pcb - 9357 issue 4**
- 10. TT midi Pcb - 9358 issue 4**

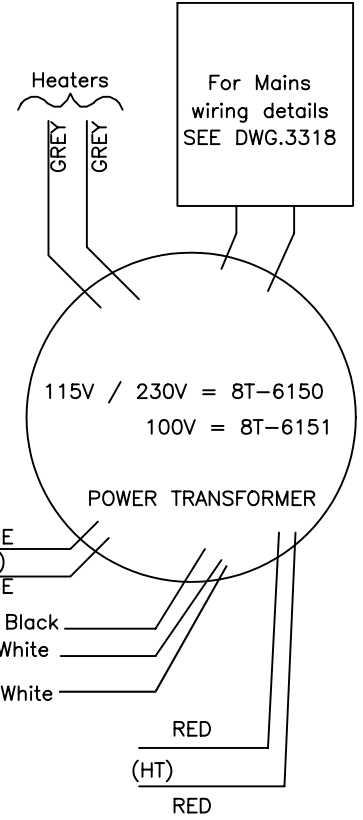
Laney

Classic British Amplification

Newlyn Road, Cradley Heath, West Midlands. B64 6BE
www.laney.co.uk

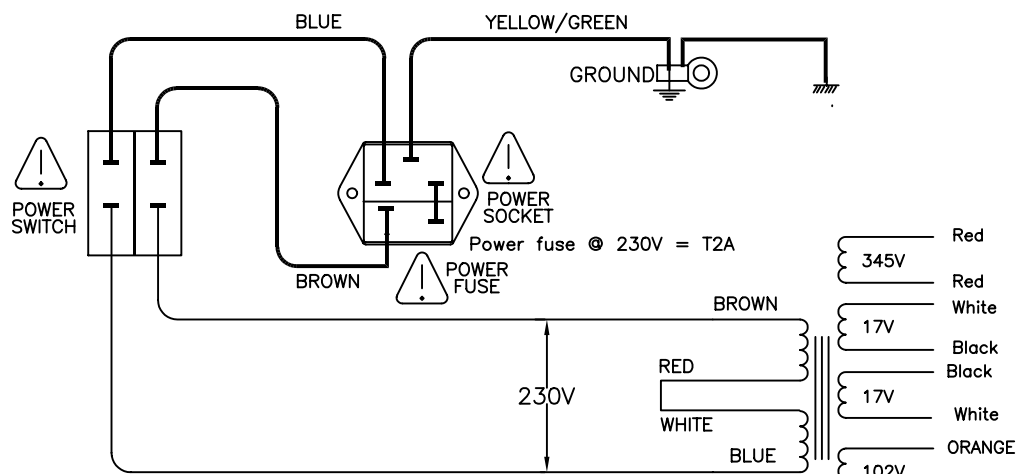


I. HEATERS
 II. SCREENS
 III. CATHODE
 IV. ANODE
 V. GRID



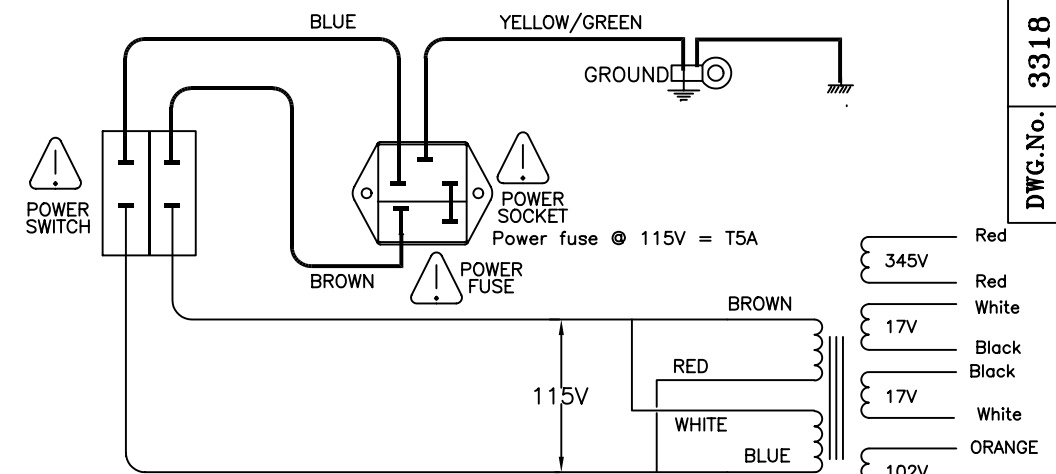
DWG.No. 3320

ISSUE	DESCRIPTION	APPD.	DATE	TITLE	DRAWN	TRACED	CHECKED	APPROVED	DATE
				BLT <i>Industries Ltd.</i>	R.J.F				25/4/2
					DRAWING No.		3320		
					TT50H Schematic Diagram PART No				



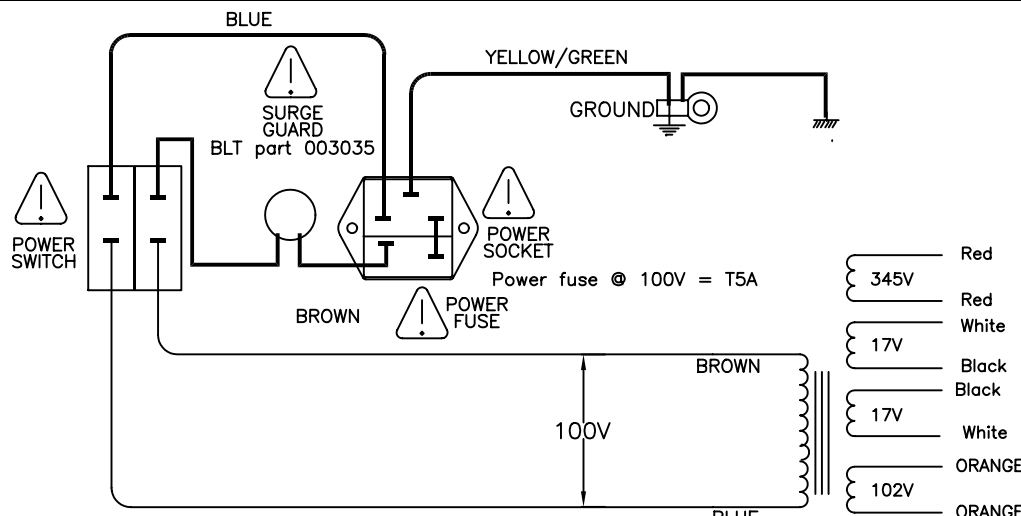
TX6150 Wiring Information for 230V operation

POWER TRANSFORMER



TX6150 Wiring Information for 115V operation

POWER TRANSFORMER

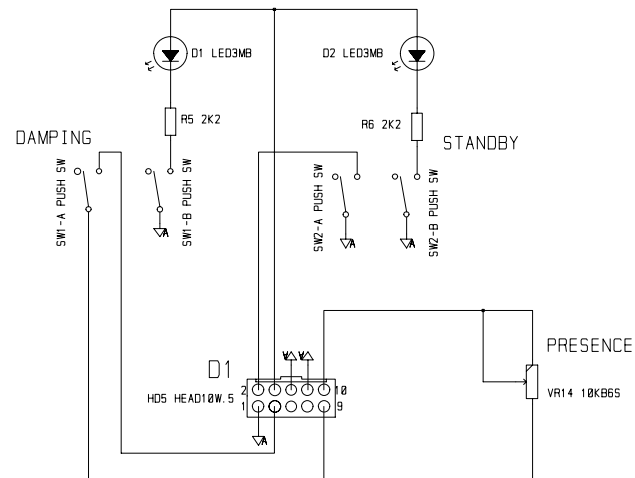
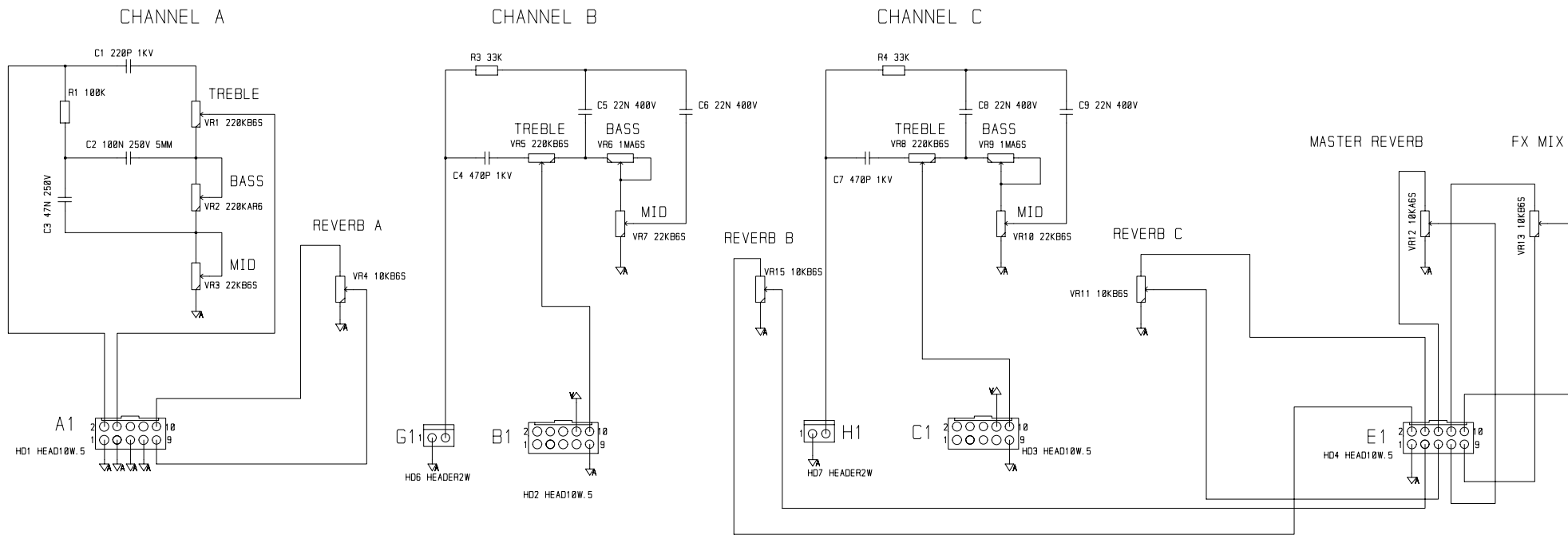


TX6151 Wiring Information for 100V operation

POWER TRANSFORMER

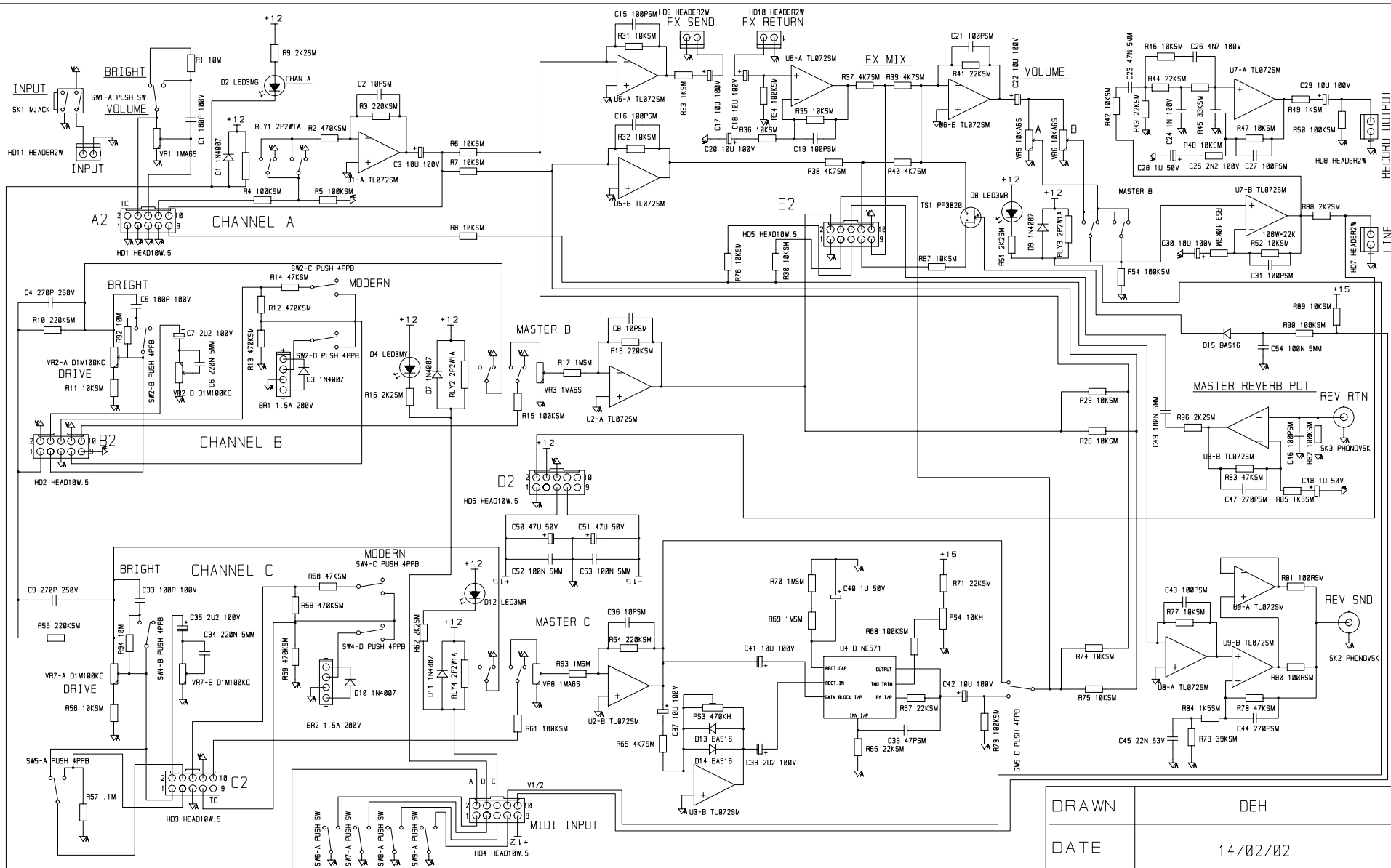
⚠ = ONLY REPLACE WITH SAME TYPE AND RATING

ISSUE	DESCRIPTION	APPD.	DATE	TITLE	DRAWN	TRACED	CHECKED	APPROVED	DATE
				<p align="center">BLT <i>Industries Ltd.</i></p> <p align="center">MAINS WIRING FOR TT50 combo and TT50H PART No</p>	R.J.F				29/04/02
					DRAWING No.		3318		



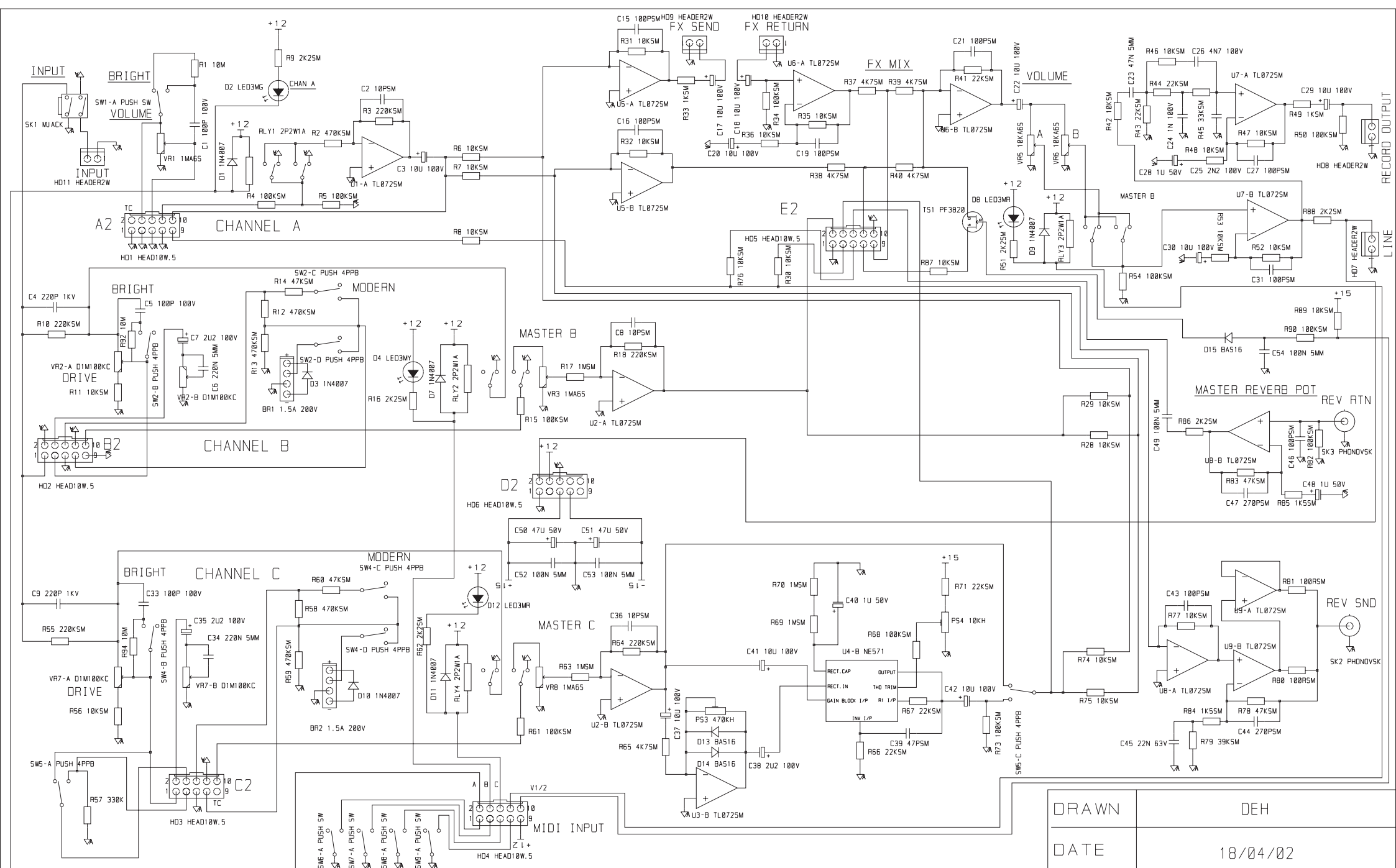
DRAWN	DEH
DATE	17/04/02
TITLE	TT50/100 TONE BOARD
DRW. NO.	9355_4

ISSUE							
TYPE							



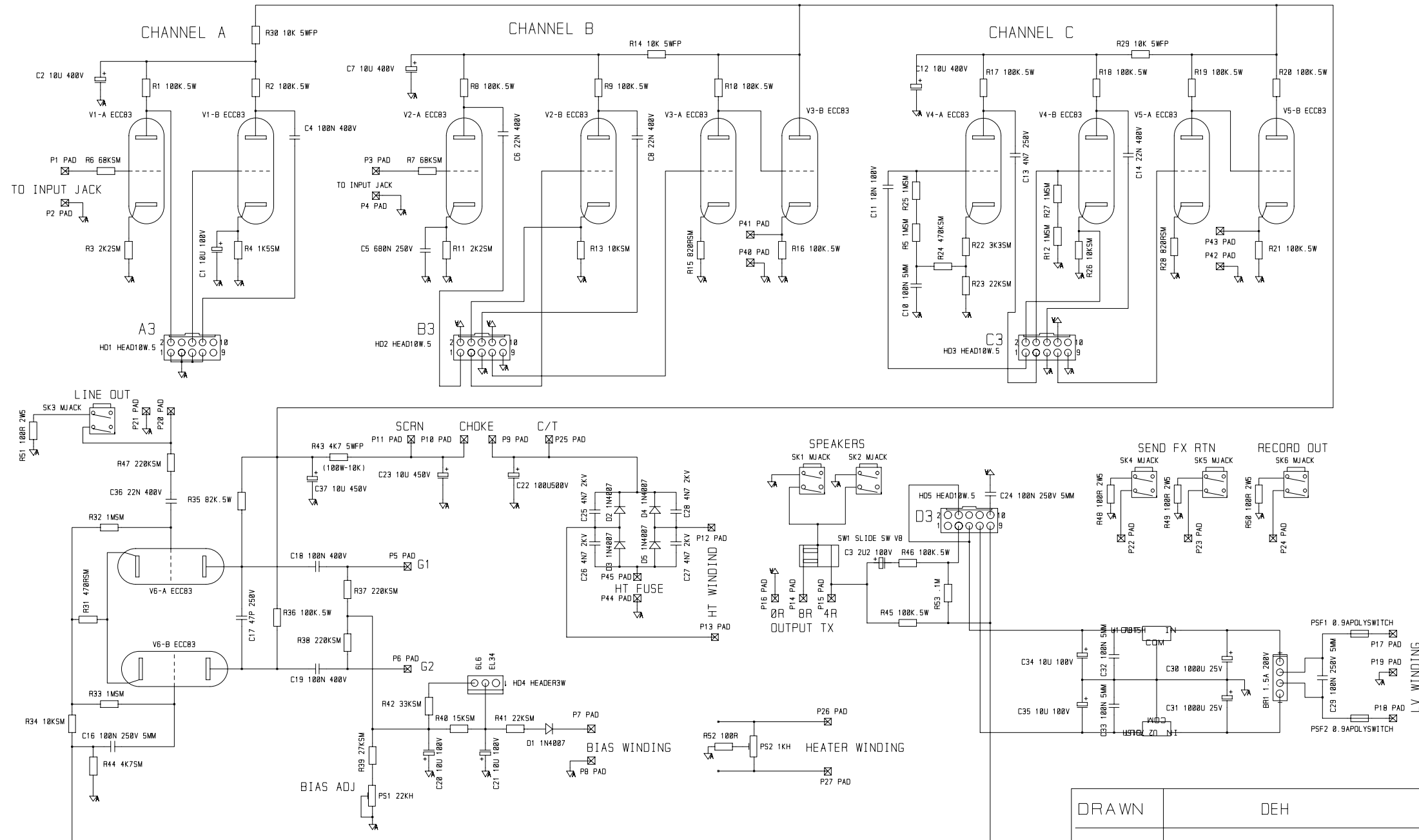
DRAWN	DEH
DATE	14/02/02
TITLE	TT50/100 MAIN PREAMP
DRW. NO.	9356.13

ISSUE	
TYPE	

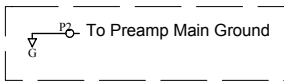
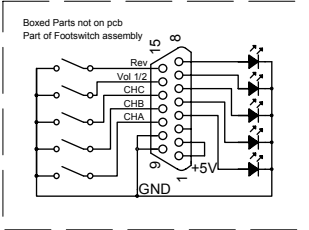
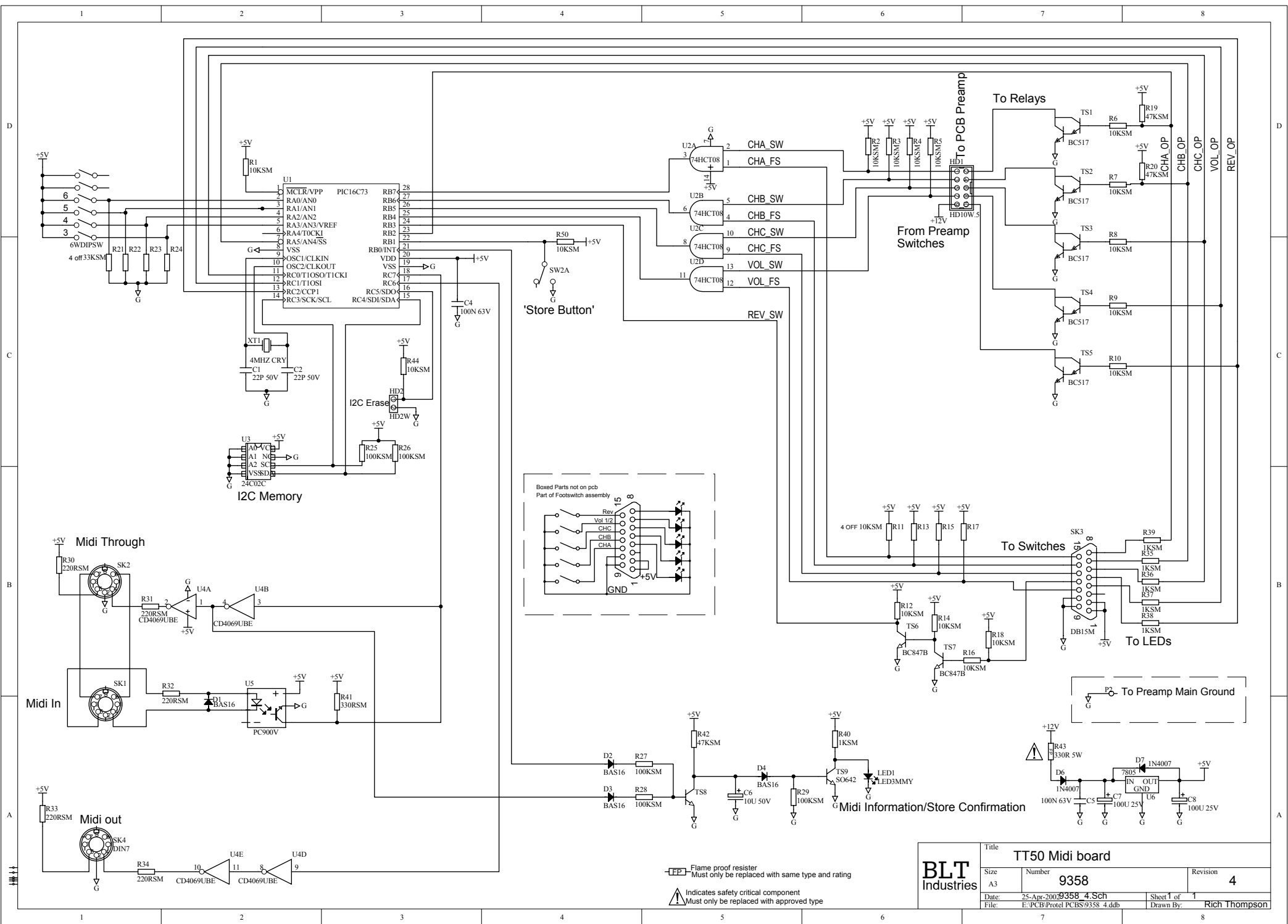


DRAWN	DEH
DATE	18/04/02
TITLE	TT50/100 MAIN PREAMP
DRW. NO.	9356_4

ISSUE	
TYPE	



DRAWN	DEH
DATE	19/04/02
TITLE	TT50 MAIN BOARD
DRW. NO.	9357_4



Flame proof resistor
 Must only be replaced with same type and rating
 Indicates safety critical component
 Must only be replaced with approved type

BLT Industries		Title TT50 Midi board	
Size A3	Number 9358	Revision 4	
Date 25-Apr-2002 9358 4.Sch		Sheet 1 of 1	
File E:\PCB\Protel\PCBS\9358 4.ddb		Drawn By: Rich Thompson	