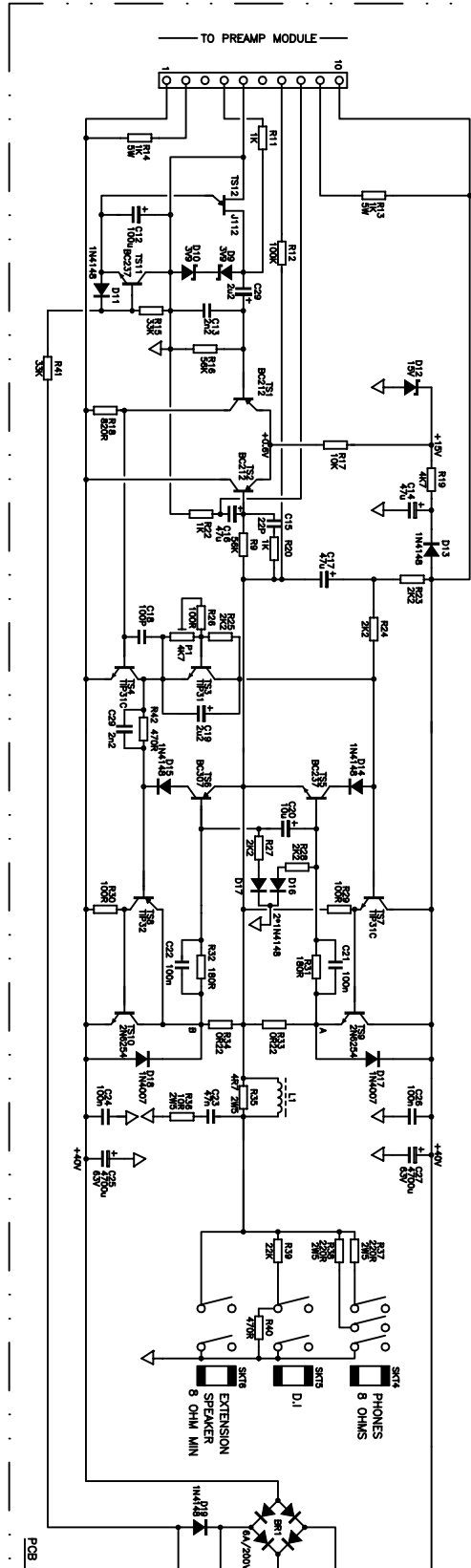
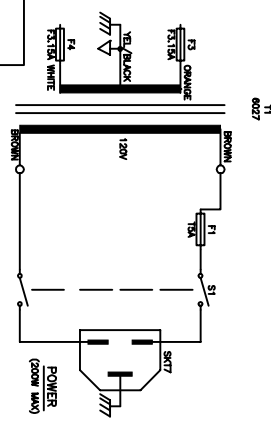
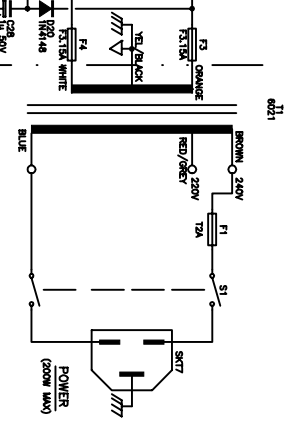


PCB No 8981



PCB No 8971/3



QUASSENT CURRENT ADJUSTMENT -- SET P1 FOR 10-20mV BETWEEN POINTS A&B.

2	47KLOG POT TO 100KLOG AND R4=10K R6=2K2	S1A	22/10/91	LANEY	THEATRE 3200 CIRCUIT	D.E.H	1218	26/08/88