

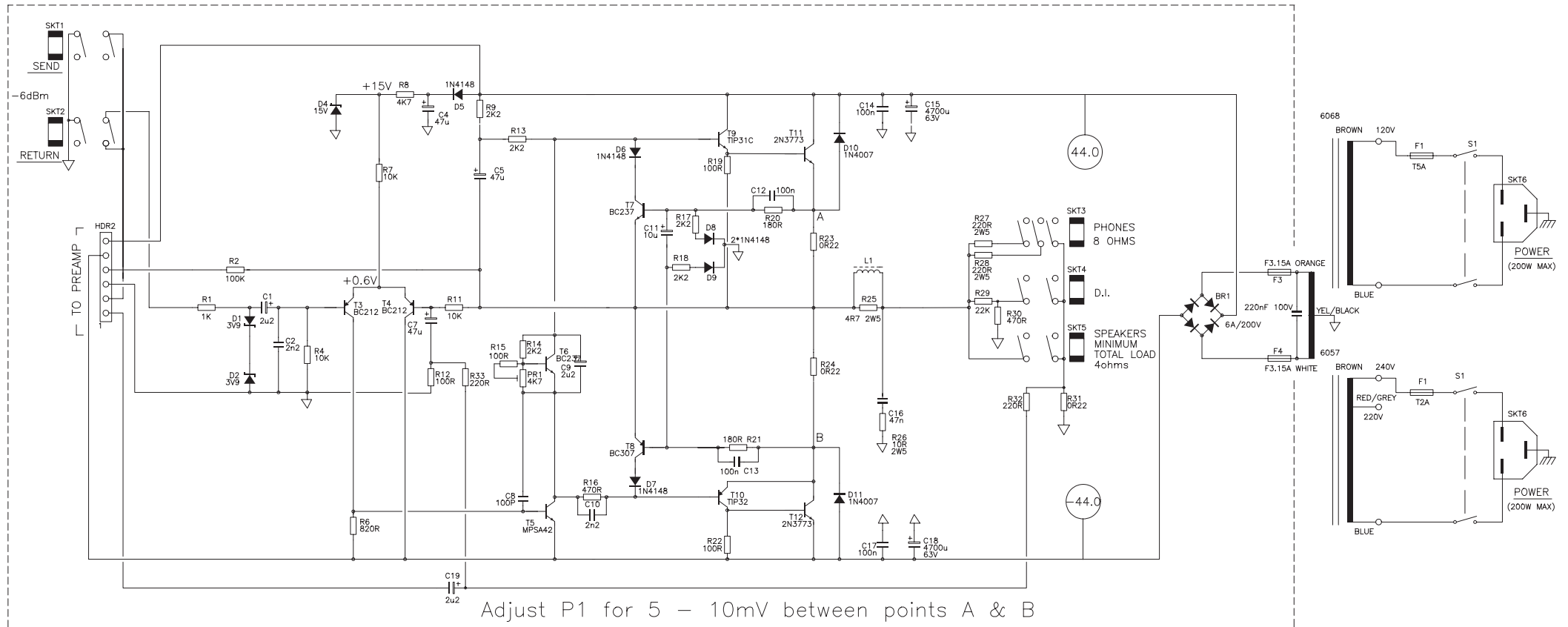
Input sensitivity = GAIN, TONE AND VOLUME CONTROLS TURNED UP TO MAXIMUM  
 Overdrive sensitivity = LEVEL CONTROL UP FULL AND DRIVE TURNED UP TILL CLIPS (APPROX 2)

DRAWN	DEH
DATE	15/03/94
TITLE	LGC80/120 PREAMP
DRW. NO.	9052_3

CHANGE R5 FROM 33K TO 10K  
 SEE MOD. SHEET 0002  
 04/10/94

ISSUE	
TYPE	

USED IN :- GC-120



ISSUE	DESCRIPTION	APPD.	DATE
	220nF 100V Cap added across TX secondary This should be soldered directed to the underside of the pcb		11/02/99

**LANEY**

TITLE
120 WATT OUTPUT BOARD No. 8991 PART No

DRAWN	TRACED	CHECKED	APPROVED	DATE
S.L.				30/08/94
DRAWING No.		2314		