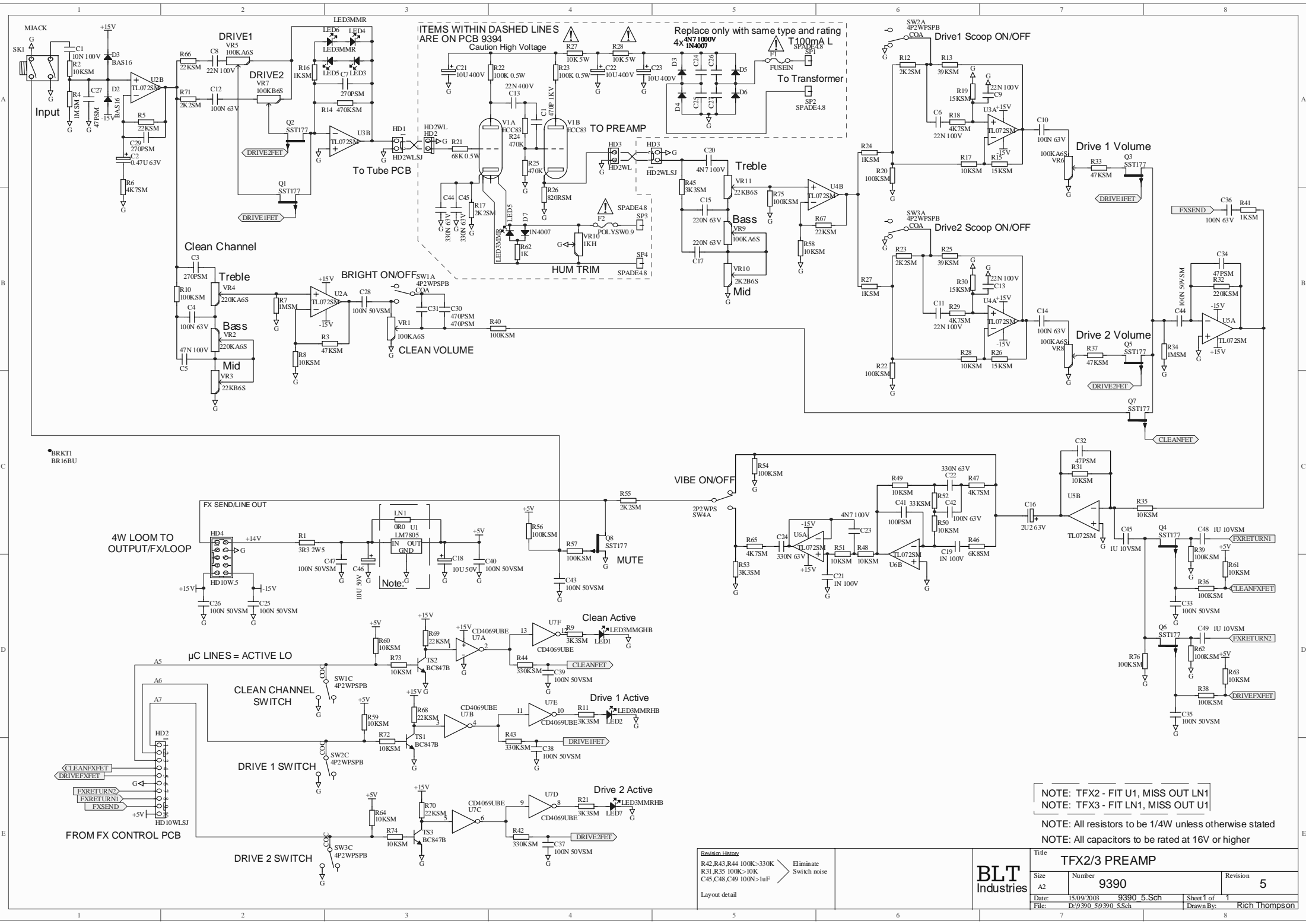


TFX3

Service Information

Laney
Classic British Amplification

Newlyn Road, Cradley Heath, West Midlands. B64 6BE
www.laney.co.uk



ITEMS WITHIN DASHED LINES ARE ON PCB 9394
 Caution High Voltage

Replace only with same type and rating
 4N7 100V
 4N4007
 1.400mA L
 37P45AS

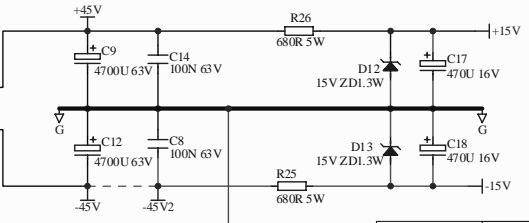
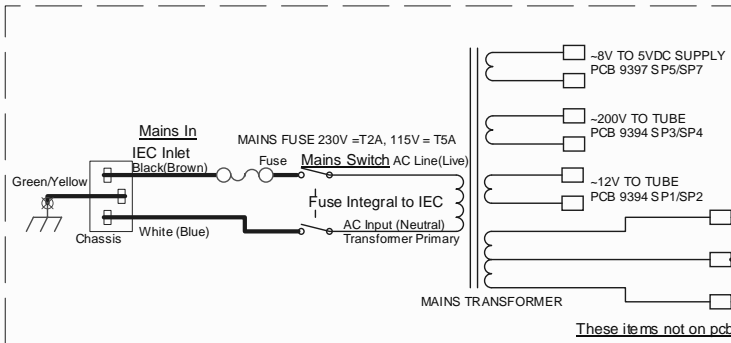
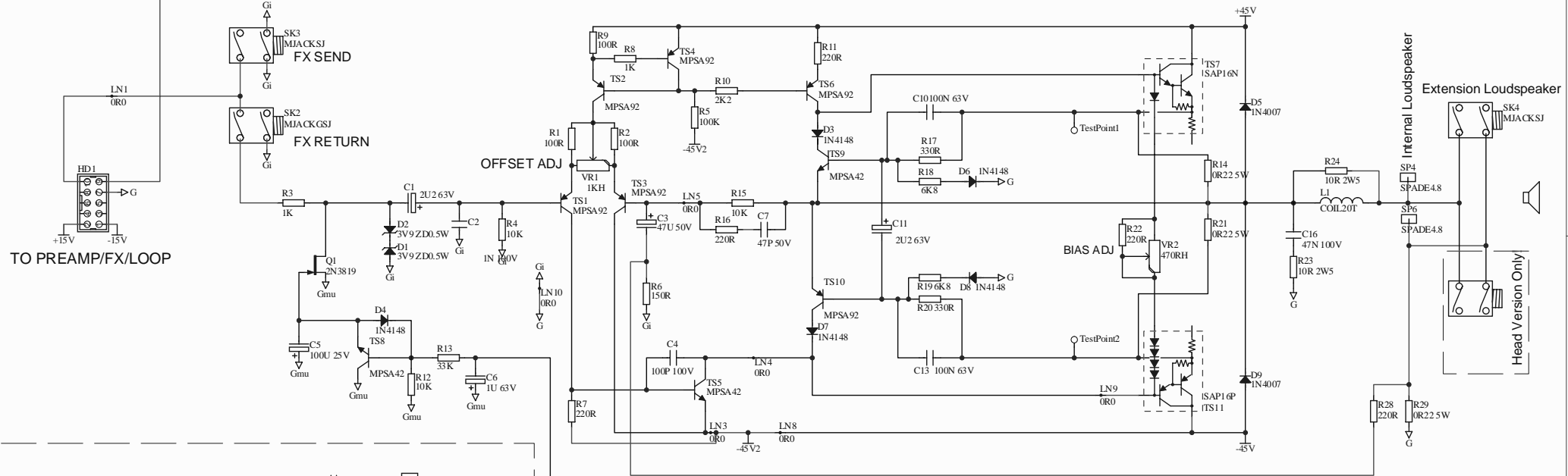
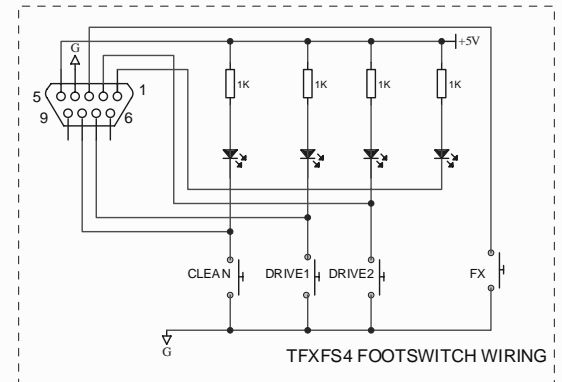
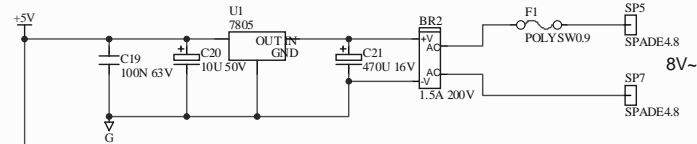
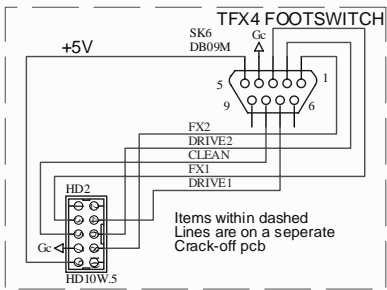
To Transformer

NOTE: TFX2 - FIT U1, MISS OUT LN1
 NOTE: TFX3 - FIT LN1, MISS OUT U1

NOTE: All resistors to be 1/4W unless otherwise stated
 NOTE: All capacitors to be rated at 16V or higher

Revision History	
R42,R43,R44 100K>330K	Eliminate Switch noise
R31,R35 100K>10K	
C45,C48,C49 100N>1uF	
Layout detail	

Title		Revision	
TFX2/3 PREAMP		5	
Size	Number	9390	
A2			
Date:	15/09/2003	9390 5.Sch	Sheet 1 of 1
File:	D:\9390_5\9390_5.Sch		Drawn By: Rich Thompson



NOTE:

Set VR2 to give 20mV across TP1 and TP2

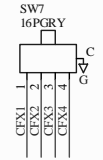
Refer to service manual before adjusting bias preset

Set VR1 to give 0mV across LS+, LS-

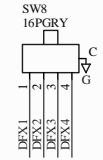
BLT Industries		Title TFX3 OUTPUT	
Size A3	Number 9397	Revision 4	
Date: 15/09/2003	9397_4.Sch	Sheet 1 of 1	1
File: D:\9397_4\9397_4.Sch		Drawn By:	Rich Thompson

PORTA = SWITCHES, LEDS, FETS
 PORTB = PROGRAM ENCODERS
 PORTC = TIME/RATE ENCODERS
 PORTD = FX LEDS ON PREAMP
 PORTE = COMMS

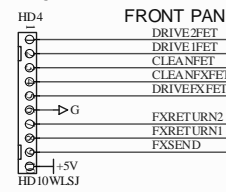
CLEAN FX PROGRAM



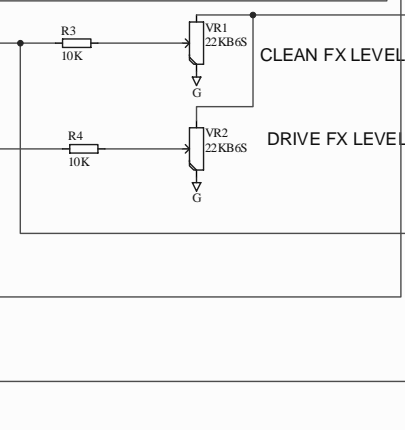
DRIVE FX PROGRAM



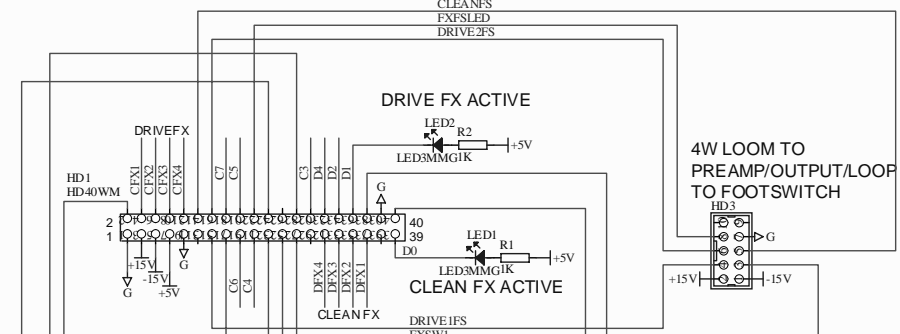
TO MAIN PREAMP PCB



FRONT PANEL SWITCHES AND LEDS



TO DSP MODULE HD1



BRKT2
BR16BU

Revision History
R3/R4/R5/R6 100K > 10K



Title TFX3 FX Control Board		
Size A3	Number 9393	Revision 4
Date 05/09/2003	9393_4.Sch	Sheet 1 of 1
File D:\9393_4\9393_4.Sch	Drawn By: Rich Thompson	

TFX3E	TFX3 120W GUITAR AMPLIFIER EURO/UK	Quantity
-007981	TFX3 CHASSIS ASSY 230V	1.0000
-005005	NEW TYPE MAINS SOCKET-UL	1.0000
-005511	5MM SOLDER TAG	2.0000
-005136	TFX1/2/3 - 10W IDC SIGNAL CABLE ASSY DWG 3414	1.0000
-005526	20mm T2A FUSE	1.0000
-005558	100mm TIE WRAP	5.0000
-005665/CP	12mm KNOB C/P	17.0000
-006132	TF300 230V MAINS TRANSFORMER	1.0000
-007985	9390 TFX2/TFX3 PREAMP ASSY	1.0000
-001305	2K2 5% RESISTOR	3.0000
-001306	10K 5% RESISTOR	6.0000
-001309	1M 5% RESISTOR	2.0000
-001310	100K 5% RESISTOR	17.0000
-001312	4K7 5% RESISTOR	4.0000
-001315	47K 5% RESISTOR	2.0000
-001316	22K 5% RESISTOR	2.0000
-001317	39K 5% RESISTOR	2.0000
-001318	6K8 5% RESISTOR	1.0000
-001319	15K 5% RESISTOR	6.0000
-001326	3K3 5% RESISTOR	5.0000
-001327	1K 5% RESISTOR	4.0000
-001331	33K 5% RESISTOR	1.0000
-001336	470K 5% RESISTOR SMD 1206	1.0000
-001706	330R 5W RESISTOR	1.0000
-002013	10UF 50V CAPACITOR	1.0000
-002024	2.2UF 63V RADIAL	1.0000
-002037	220N 5MM BOX POLY CAPACITOR 63V	4.0000
-002038	330N 5MM BOX POLY CAPACITOR 63V	2.0000
-002414	1NF 100V 5mm	2.0000
-002415	2.2NF 100V 5mm	1.0000
-002416	3.3NF 50V 5mm	2.0000
-002419	100NF 63V 5mm	2.0000
-002420	22NF 100V 5mm	7.0000
-002421	10NF 100V 5mm	2.0000
-002602	47PF 50V 10% COG	3.0000
-002603	100PF 50V 10% COG	1.0000
-002604	270PF 50V 10% COG	1.0000
-002605	470PF 50V 10% COG	2.0000
-002831	100N 50V CERAMIC CAPACITOR 0805	12.0000
-003014	15V 1.3W ZENER	1.0000
-003022	3mm GREEN LED	1.0000
-003033	3mm LED RED	2.0000
-003500	BAS16 DIODE	2.0000
-003508	34072 IC (SMD TL072)	5.0000
-003905	7805 IC	1.0000
-004061	6mm 22K LIN POT	2.0000
-004062	6mm 100K LOG POT	7.0000
-004063	6mm 2K2 LIN POT	2.0000
-005002	MONO JACK SOCKET	1.0000
-005017	2P 2W PUSH SWITCH	1.0000
-005066	2 WAY LOCKING HEADER	2.0000
-005079	IDC PCB PLUG 10-WAY	1.0000
-005089	SWITCH CAP OVAL+WINDOW	3.0000
-005127	P16 7MM DIA HOLE POT BRKT	1.0000
-005300	PIGGY BACK PUSH SWITCH	3.0000
-005503	7.5mm ROUND BLACK BUTTON	4.0000
-009390	TFX2/TFX3 PREAMP PCB ISSUE 3	1.0000
-007987	9393 TFX3 FX CONTROL PCB ASSY	1.0000
-003022	3mm GREEN LED	2.0000
-004061	6mm 22K LIN POT	2.0000
-005036	6 WAY LOCKING HEADER	2.0000
-005079	IDC PCB PLUG 10-WAY	1.0000
-005127	P16 7MM DIA HOLE POT BRKT	1.0000
-005129	40W PIN HEADER(20+20STRAIGHT)	1.0000
-005131	16 POSITION GRAY CODE ROTARY SWITCH	4.0000
-009393	TFX3 FX CONTROL PCB ISSUE 3	1.0000
-007989	9391 TFX3 OUTPUT PCB ASSY	1.0000
-001003	1K .25W RESISTOR	3.0000
-001005	2K2 .25W RESISTOR	1.0000
-001007	6K8 .25W RESISTOR	2.0000
-001009	220R .25W RESISTOR	4.0000
-001014	10K .25W RESISTOR	3.0000
-001016	33K .25W RESISTOR	1.0000
-001018	330R .25W RESISTOR	3.0000
-001021	100R .25W RESISTOR	3.0000

-001500	10R 2.5W RESISTOR		3.0000
-001703	0R22 5W RESISTOR	RAPID	3.0000
-001710	560R 5W RESISTOR		2.0000
-001920	ZERO OHM RESISTOR		8.0000
-002004	47UF 50V RADIAL		3.0000
-002006	4700UF 63V RADIAL		2.0000
-002014	100UF 35V RADIAL		1.0000
-002024	2.2UF 63V RADIAL		2.0000
-002025	1UF 63V RADIAL		1.0000
-002402	220NF 250V 15MM DIPPED POLYESTER		1.0000
-002414	1NF 100V 5mm		1.0000
-002419	100NF 63V 5mm		4.0000
-002425	47NF 100V 5mm		1.0000
-002800	47PF 50V CERAMIC		1.0000
-002817	100PF 100V CERAMIC		1.0000
-003000	1N4007 DIODE		4.0000
-003006	1N4148 DIODE		1.0000
-003007	3V9 .5W ZENER DIODE		2.0000
-003014	15V 1.3W ZENER		2.0000
-003016	6A 200V BRIDGE RECTIFIER		1.0000
-003409	2N3819 TRANSISTOR		1.0000
-003411	MPSA42/43 TRANSISTOR		3.0000
-003412	MPSA92/93 TRANSISTOR		6.0000
-003807	SAP15N POWER DEVICE		1.0000
-003808	SAP15P POWER DEVICE		1.0000
-004000	1K HORIZ PRESET		1.0000
-004010	470R HORIZ PRESET		1.0000
-005006	20 TURN COIL		1.0000
-005009	SINGLE TERMINAL PIN		2.0000
-005045	7 WAY DIN SKT		1.0000
-005079	IDC PCB PLUG 10-WAY		2.0000
-005097	MONO JACK SOCKET-HORIZONTAL STANDOFF TYPE		2.0000
-005132	GOLD PLATED MONO JACK SOCKET-HORIZ STANDOFF		1.0000
-005134	680R 2W5 WIREWOUND RESISTOR		1.0000
-005135	65MM HEATSINK FINNED EXTRUSION		2.0000
-005686	4.8MM TERMINAL SPADE		5.0000
-009391	TFX3 OUTPUT PCB ISSUE 3		1.0000
-007991	9394 TFX2/TFX3 TUBE PCB ASSY		1.0000
-001000	470K .25W RESISTOR		2.0000
-001003	1K .25W RESISTOR		1.0000
-001205	68K .5W 1% RESISTOR		1.0000
-001207	100K .5W 1% RESISTOR		2.0000
-001304	820R 5% RESISTOR		1.0000
-001310	100K 5% RESISTOR		1.0000
-001327	1K 5% RESISTOR		1.0000
-001714	10K 5W CEMENT RESISTOR		2.0000
-002015	10uf 400V RADIAL		3.0000
-002024	2.2UF 63V RADIAL		1.0000
-002037	220N 5MM BOX POLY CAPACITOR 63V		1.0000
-002420	22NF 100V 5mm		2.0000
-002804	4N7 1000V CERAMIC		4.0000
-002814	470PF 250V CERAMIC		1.0000
-003000	1N4007 DIODE		5.0000
-003033	3mm LED RED		1.0000
-004000	1K HORIZ PRESET		1.0000
-005022	PCB FUSE CARRIER		1.0000
-005586	20mm T100ma FUSE		1.0000
-005066	2 WAY LOCKING HEADER		2.0000
-005103	0.9A POLY SWITCH/MF-R090		1.0000
-005548	ECC83 VALVE STANDARD		1.0000
-005579	B9A BASE PLASTIC PCB		1.0000
-005686	4.8MM TERMINAL SPADE		4.0000
-009394	TFX2/TFX3 TUBE PCB ISSUE 3		1.0000
-008322	LABEL VOLTAGE SELECTOR BLANK		1.0000
-009161	4mm INT. SHAKEPROOF		2.0000
-009171	M5 INT SHAKEPROOF WASHER		2.0000
-009173	5*12mm PAN POZI ZINC		1.0000
-009175	M6 HEX NUT ZINC ONLY		1.0000
-009181	5mm BRASS HEX NUT		1.0000
-009190	6 WAY END CONNECTOR		4.0000
-009214	6*50mm CUP SQUARE BOLT BZP		1.0000
-530027	DPST EQ MAINS SWITCH		1.0000
-540038	EARTH WARNING LABEL		1.0000
-541004	HC25/50 4.8 FASTON		9.0000
-581001	3*6mm PAN POZI Z/B		8.0000
-584062	6MM FLAT TX WASHER ZINC		1.0000
-584063	6mm SPLIT WASHER		1.0000
-588058	M3*10mm HEX TAPPED SPACER		4.0000
-588006	POP RIVET (BLACK)		2.0000
-8M-8883	TFX3 CHASSIS DWG.3392		1.0000
-8SP-8883	TFX3 SCREEN PRINT		1.0000
-10702	SPECIAL MAINS LEAD		1.0000
-10970	TFX1/TFX2/TFX3 USER MANUAL		1.0000
-20118	TFX3 CABINET		1.0000
-005536	LARGE GRIPPACLIP		2.0000
-009170	5mm HEX NUT		4.0000
-10039	CORNER PENN P/N.C1839K		6.0000
-10055	PLASTIC CABINET FOOT		4.0000
-10062	BRIGHT SILVER		1.0000
-10063	TUBE FUSION BADGE		1.0000
-10157	PLASTIC STRAP HANDLE H1009/01		1.0000
-10200	M5 x 10mm TEENUT		2.0000
-10202	5MMx25MM CSK POZI SCREW		2.0000
-10211	SPEAKER BOLT		4.0000
-10221	30mm FINISHED NAIL		10.0000
-10224	35mm FINISHED NAIL		12.0000
-10226	STAPLE 71/6		120.0000

-10231	No8x1/2" FLANGE POZI	2.0000
-10234	No 8 X 3/4 CSK POZI	12.0000
-10240	10 * 1 CSK POZI	4.0000
-10241	NO.8x1 1/4" FLANGE Z/B	4.0000
-10245	No4*1/2 CSK POZI Z/B	2.0000
-10249	NO 8*1 1/2 CSK POZI	4.0000
-10260	M5*30 RSD POZI STEEL BLACK	6.0000
-10261	NO.8 "C" TYPE SURFACE CUP WASHER	1.0000
-10301	18mm CHIPBOARD	0.3500
-10302	25mm X 25mm PAR	1.0000
-10308	GREY FRONTFRET	0.3500
-10328	REPTILE BLACK	0.8000
-10420	TF300/4/5 CARTON 30546	1.0000
-10424	TF300/TF4/5 INSERT 30549	1.0000
-10600	32/18 STAPLE	12.0000
-10622	POLY. BAG 48(0) X 48	1.0000
-10629	MASKING TAPE 1.5"	1.0000
-10897	100mm ETHAFOAM CORNER	6.0000
-10982	GLUE/PAINT COST 2.00	1.0000
-51200	70 EIGHTY 8 OHM	1.0000
-541004	HC25/50 4.8 FASTON	4.0000