

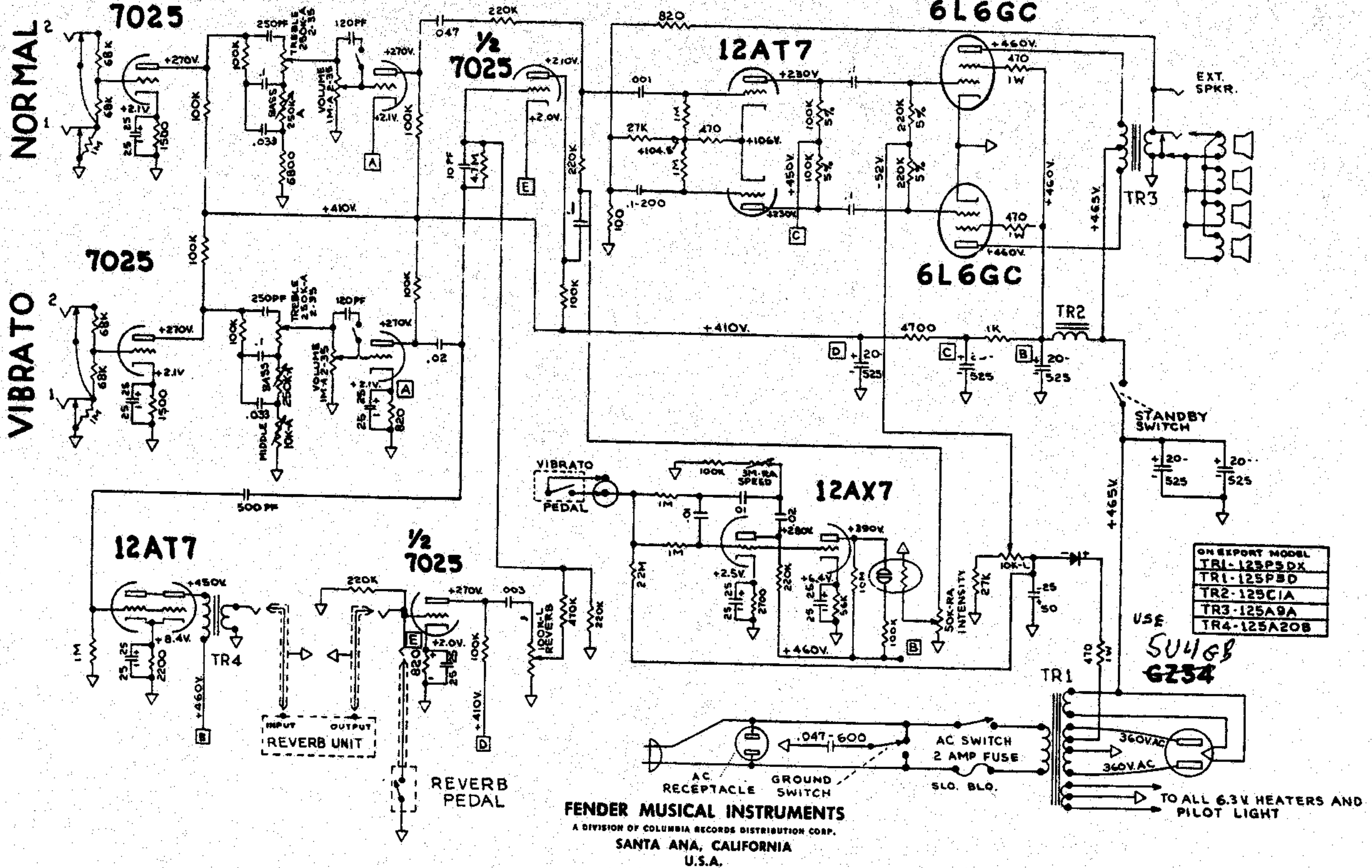
FENDER MODEL "SUPER-REVERB-AMP AA 763" SCHEMATIC

NOTICE

THIS PRODUCT MANUFACTURED UNDER ONE OR MORE OF THE FOLLOWING U.S. PATENTS -
CIRCUIT PATENT #2817708, #2973681
DESIGN PATENT #192859
PATENTS PENDING

K-FC

1. VOLTAGES READ TO GROUND WITH ELECTRONIC VOLTMETER VALUES SHOWN + OR - 20%
2. ALL RESISTORS 1/2 WATT, 10% TOLERANCE IF NOT SPECIFIED
3. ALL CAPACITORS AT LEAST 400 VOLT RATING IF NOT SPECIFIED



FENDER MUSICAL INSTRUMENTS
A DIVISION OF COLUMBIA RECORDS DISTRIBUTION CORP.
SANTA ANA, CALIFORNIA
U.S.A.