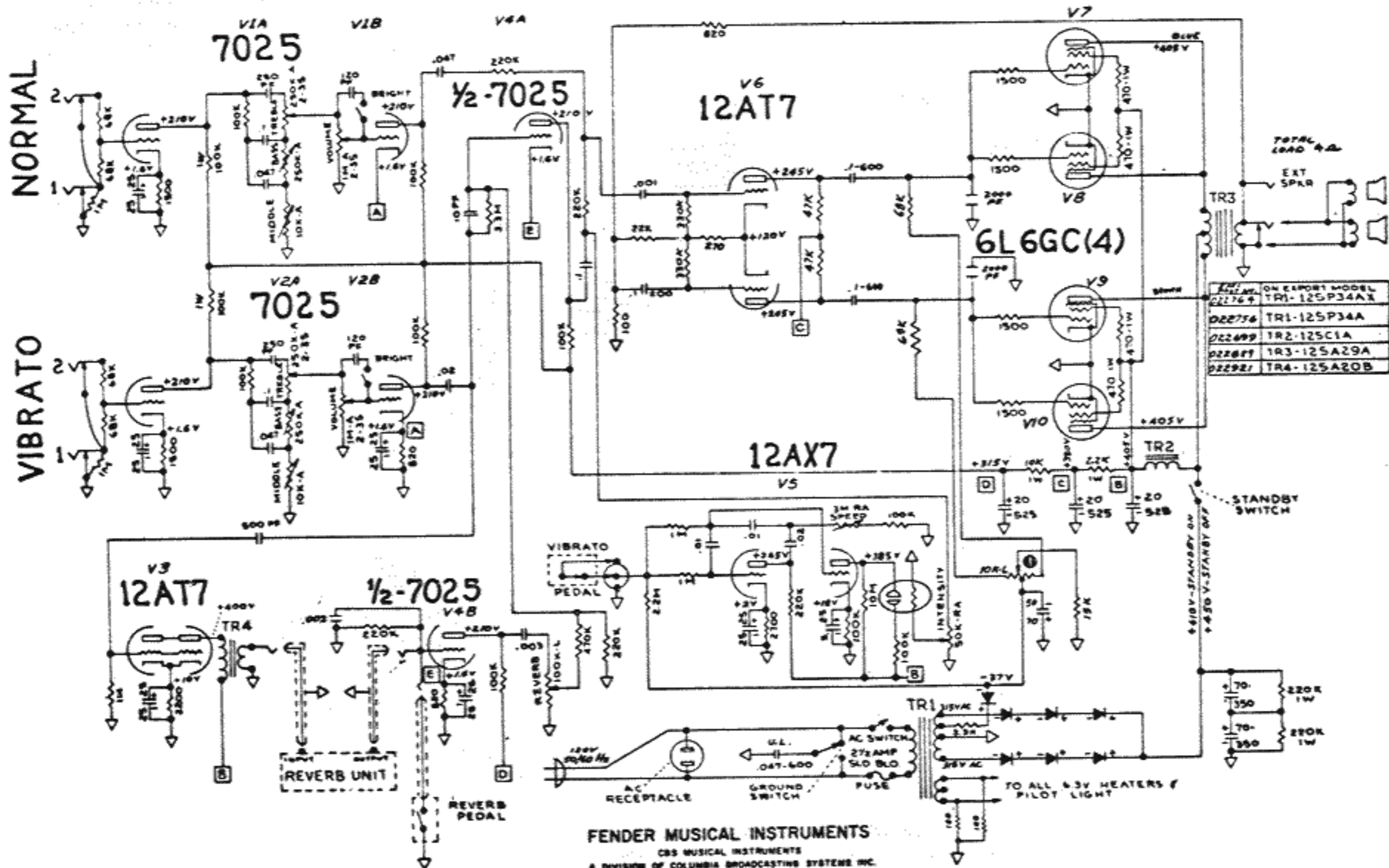


# FENDER "DUAL SHOWMAN REVERB-AMP AA769" SCHEMATIC NOTICE

TFL5000  
 THIS PRODUCT MANUFACTURED UNDER ONE OR MORE OF THE FOLLOWING U.S. PATENTS:  
 #2817708, #2973681, 192859 / PATENTS PENDING

1. VOLTAGES READ TO GROUND WITH V.T.V.M.
2. ALL RESISTORS 1/2 WATT 10% TOLERANCE IF NOT SPECIFIED.
3. ALL CAPACITORS AT LEAST 400 VOLT RATING IF NOT SPECIFIED
4. VOLTAGES MEASURED WITH VIBRATO PEDAL GROUND TO CHASSIS.



Part No.	ON EXPORT MODEL
022769	TR1-125P34A
022756	TR1-125P34A
022699	TR2-125C1A
022887	TR3-125A29A
022921	TR4-125A20B

FENDER MUSICAL INSTRUMENTS  
 CBS MUSICAL INSTRUMENTS  
 A DIVISION OF COLUMBIA BROADCASTING SYSTEMS INC.  
 FULLERTON, CALIFORNIA  
 U.S.A.