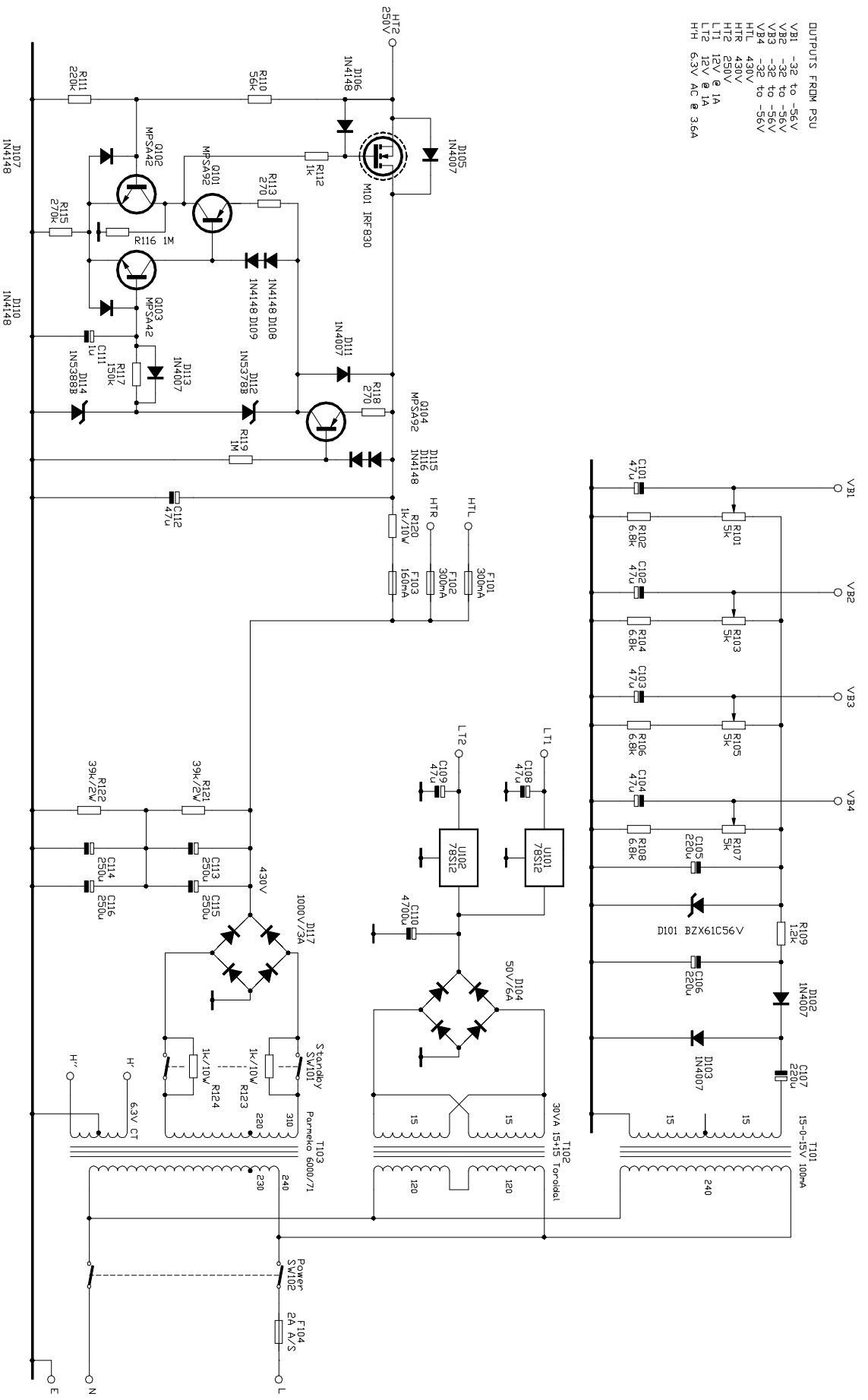


OUTPUTS FROM PSU
 VB1 -32 to -56V
 VB2 -32 to -56V
 VB3 -32 to -56V
 VB4 -32 to -56V
 HTL 430V
 HTR 430V
 HT2 250V
 LT1 12V @ 1A
 LT2 12V @ 1A
 HH 6.3V AC @ 3.6A



NOTES

All information presented herein is copyright (C)1989-1998 Duncan Amplification, and may not be reproduced in whole or in part without the written consent of the copyright holder.

DDS-2250V Power Supply			
Drawn	3/9/97	ISSUE	2
By:	DM	DATE	5/1/98
Scale	NTS		