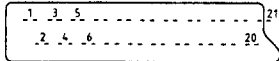
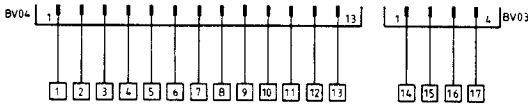


Europa-Normbuchse  
BV 06  
Eurosocket  
Presă Europa unificată



Anschlußseite / Connection side /  
Lato collegamento

○ - BV 06 Europa-Normbuchse Eurosocket Presă Europa unificată	
① NF/AF 'R' BF'D' 0.5VRMS	⑫ Data 1
② NF/AF 'R' BF'D' 0.5VRMS	⑬ Video R
③ NF/AF 'L' BF'S' 0.5VRMS	⑭ Data
④ NF/AF BF	⑮ Video R 0.7VRMS
⑤ Video B	⑯ Blanking Spęgnim. Video
⑥ NF/AF 'L' BF'S' 0.5VRMS	⑰ Video
⑦ Video B 0.7VRMS	⑱ Blanking Spęgnimto
⑧ Mode AV = 12 V	⑲ Video 1V <sub>pp</sub> /75 Ω
⑨ Video G/V	⑳ Video 1V <sub>pp</sub> /75 Ω
⑩ Data 2	㉑ Chassis Telaio
⑪ Video G/V 0.7VRMS	VRMS = V <sub>eff</sub> V <sub>pp</sub> = V <sub>ss</sub>

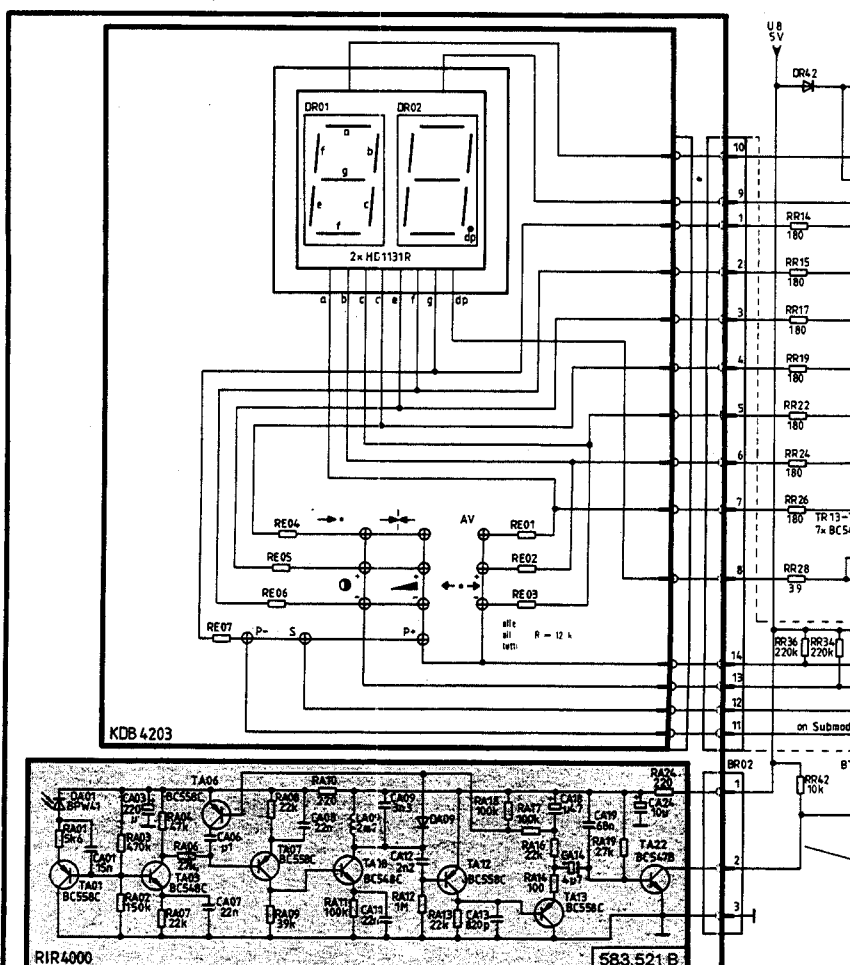
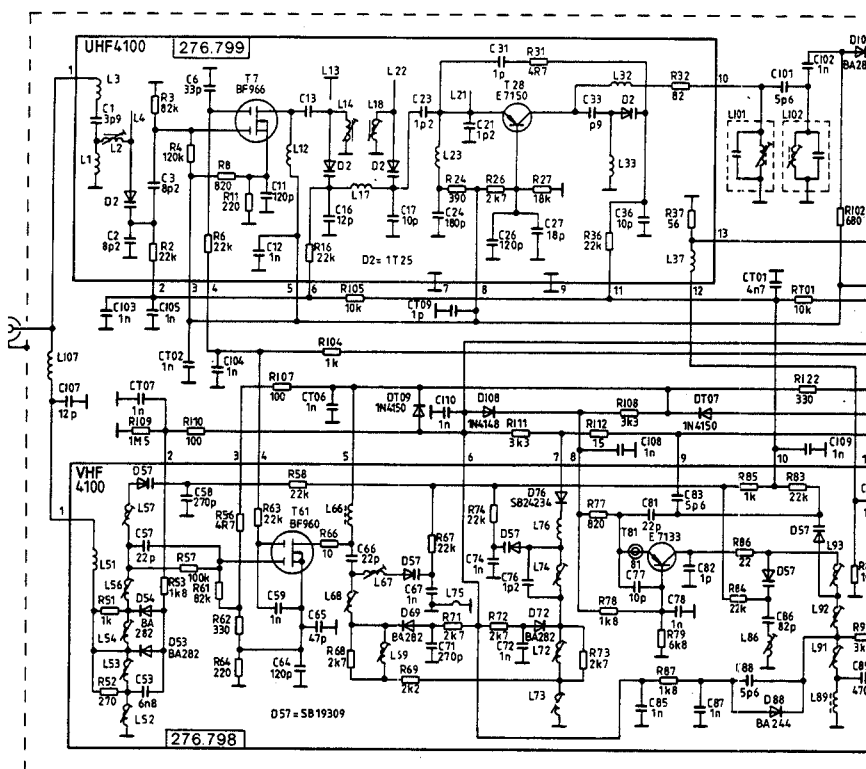
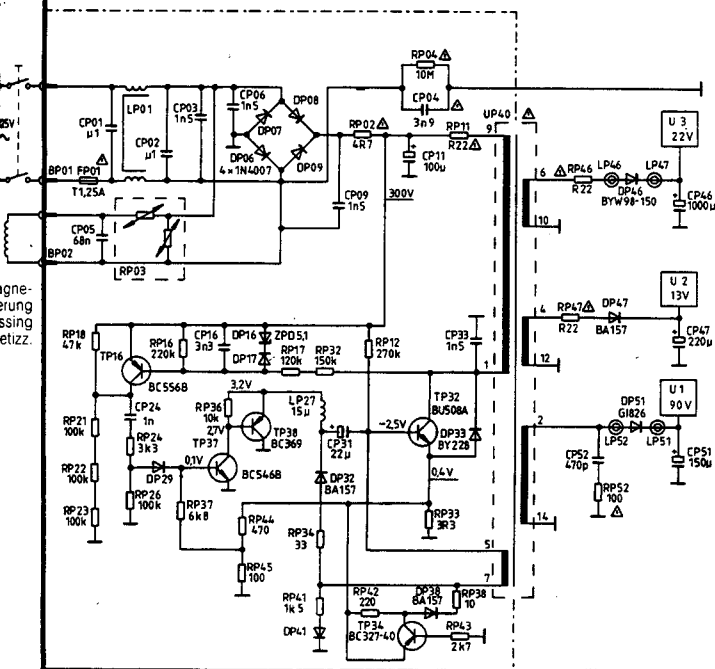


**ACHTUNG! / NOTE! / ATTENZIONE!**

Bei Arbeiten an Bauteilen innerhalb der gestrichelten Umrandung Trenntrafo verwenden.

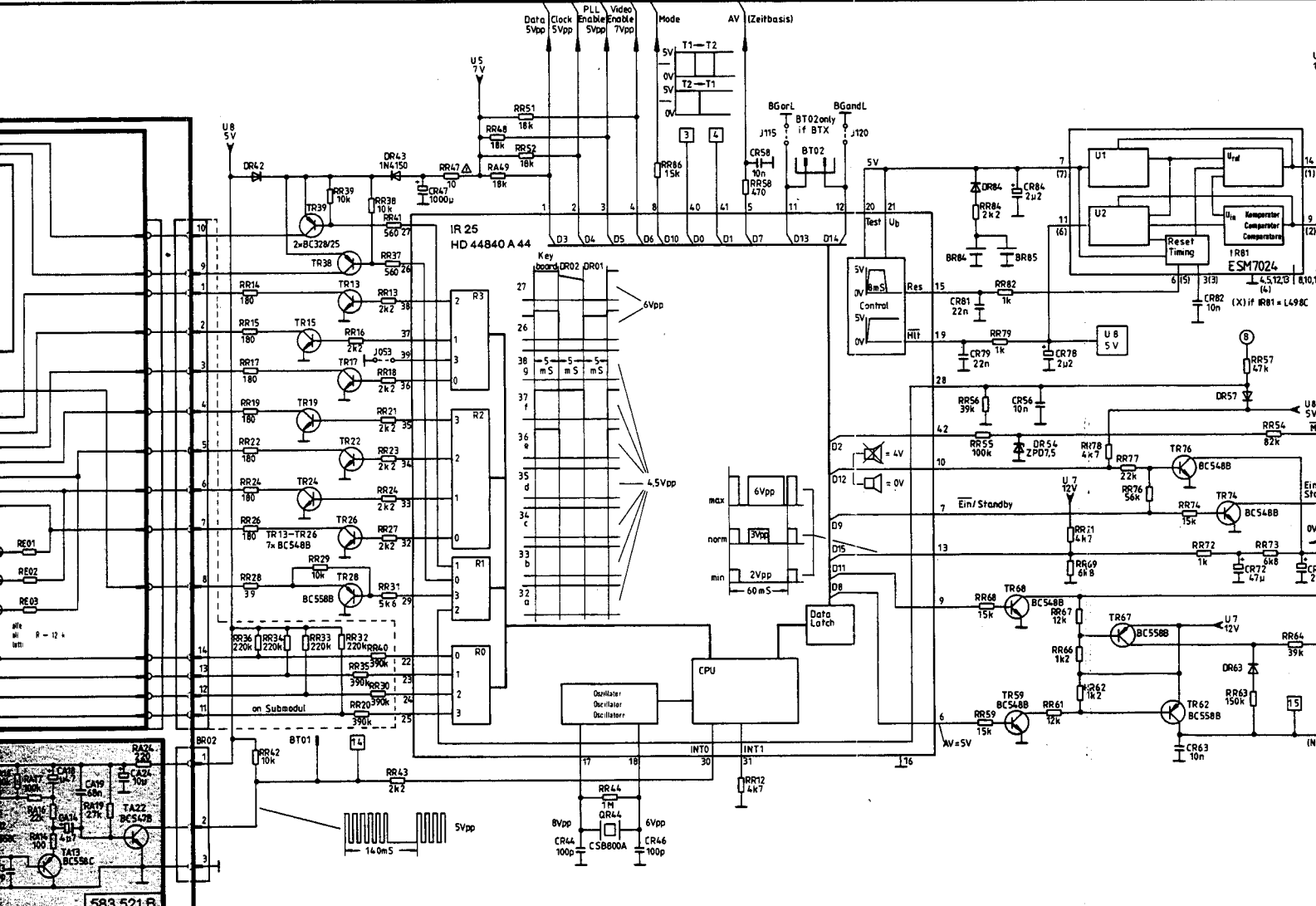
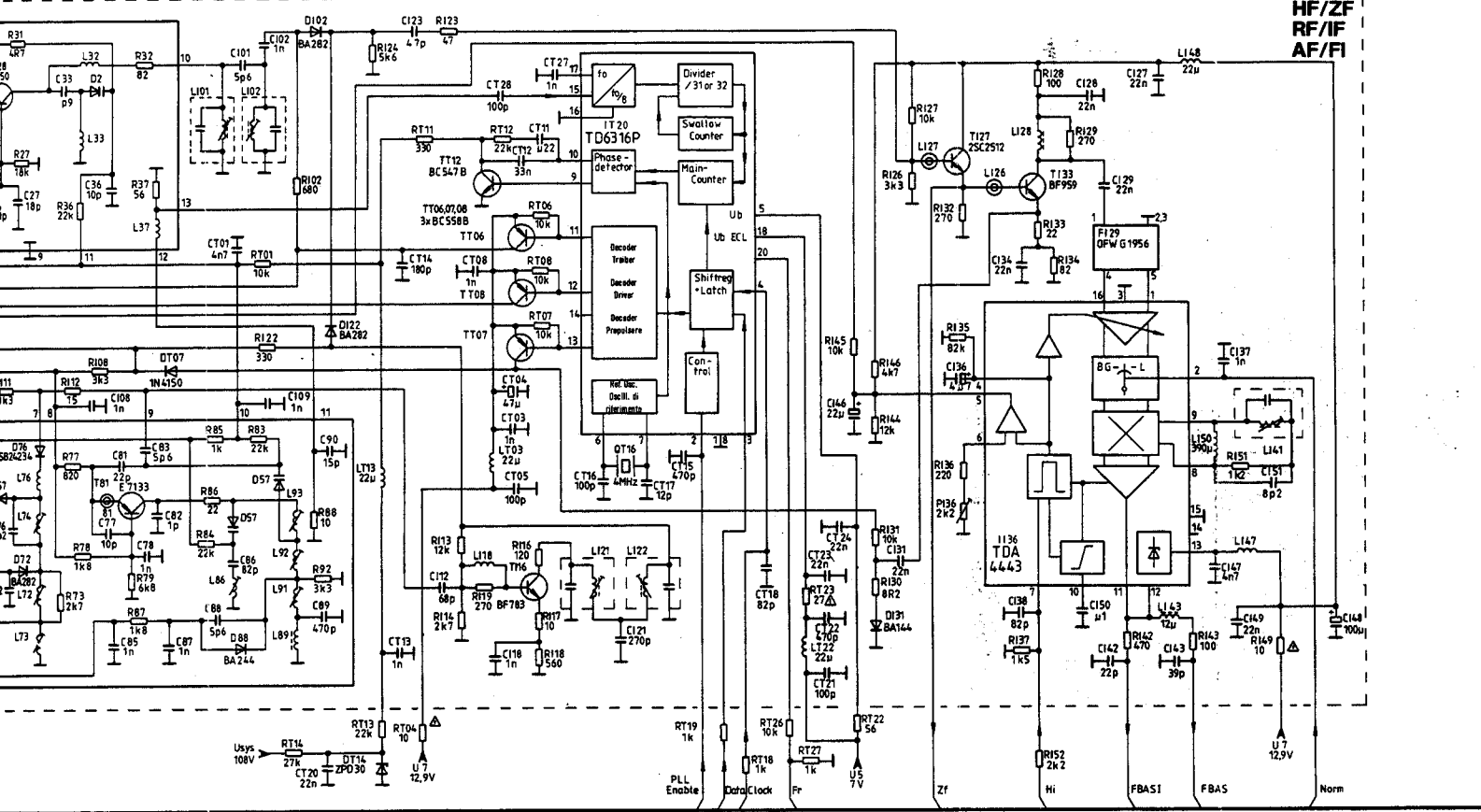
When carrying out repair work on components inside the dotted boundary, an isolating transformer must be employed.

Per lavori ai componenti entro la linea tratteggiata, occorre servirsi di un trasformatore separato.



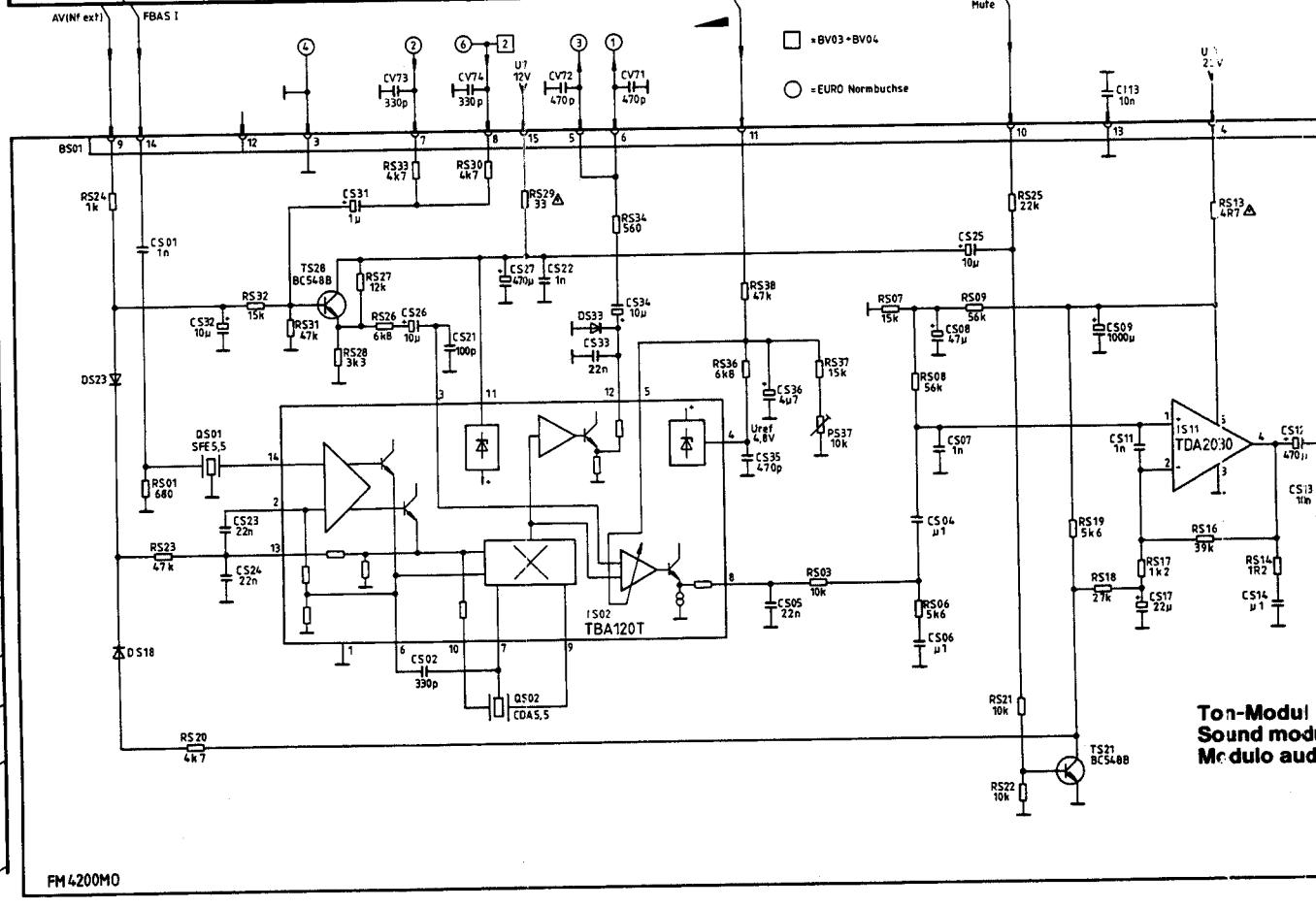
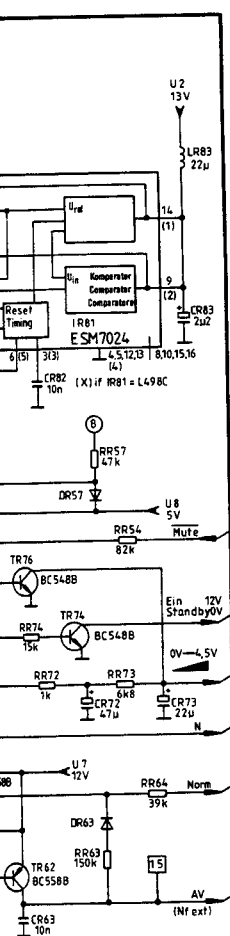
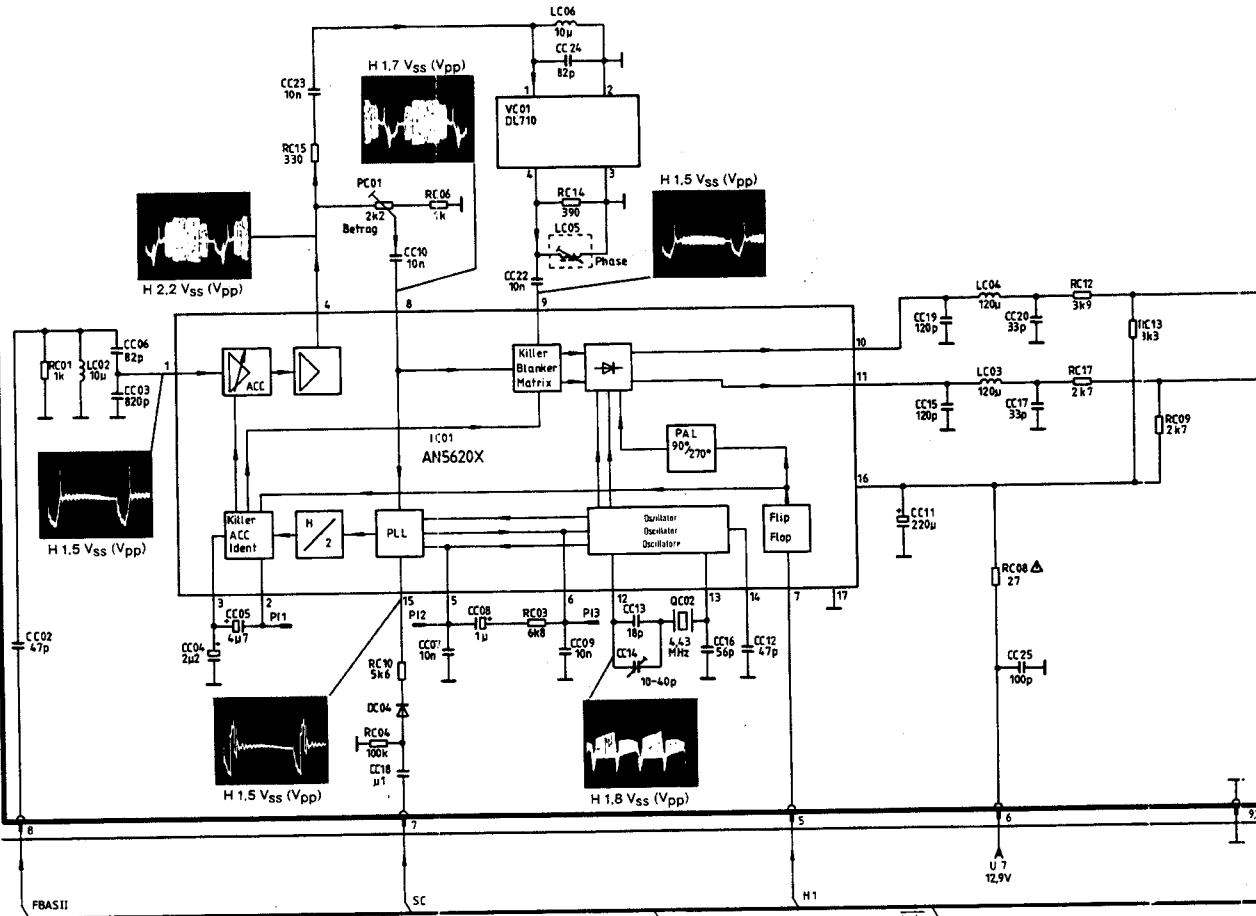
Infrarot-Vorverstärker / Infra-red pre-amplifier  
Preamplificatore infra

HF/ZF  
RF/IF  
AF/PI



583.521 B  
Amplifier

**PAL-Decoder  
Decoder PAL**

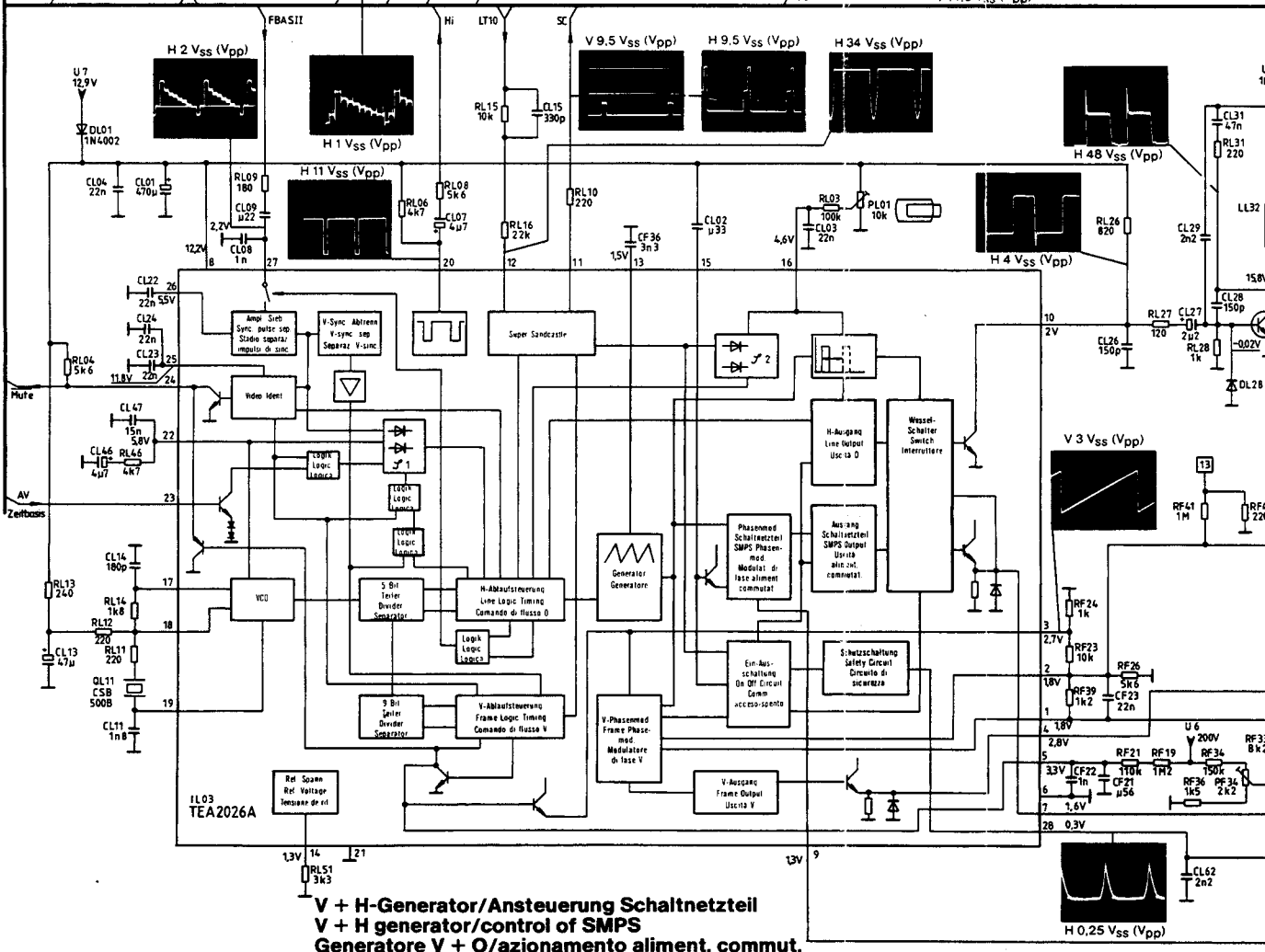
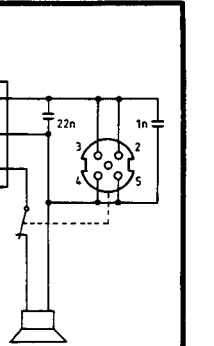
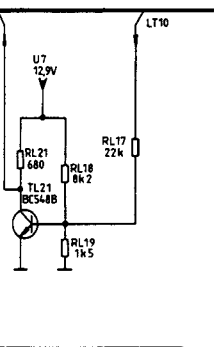
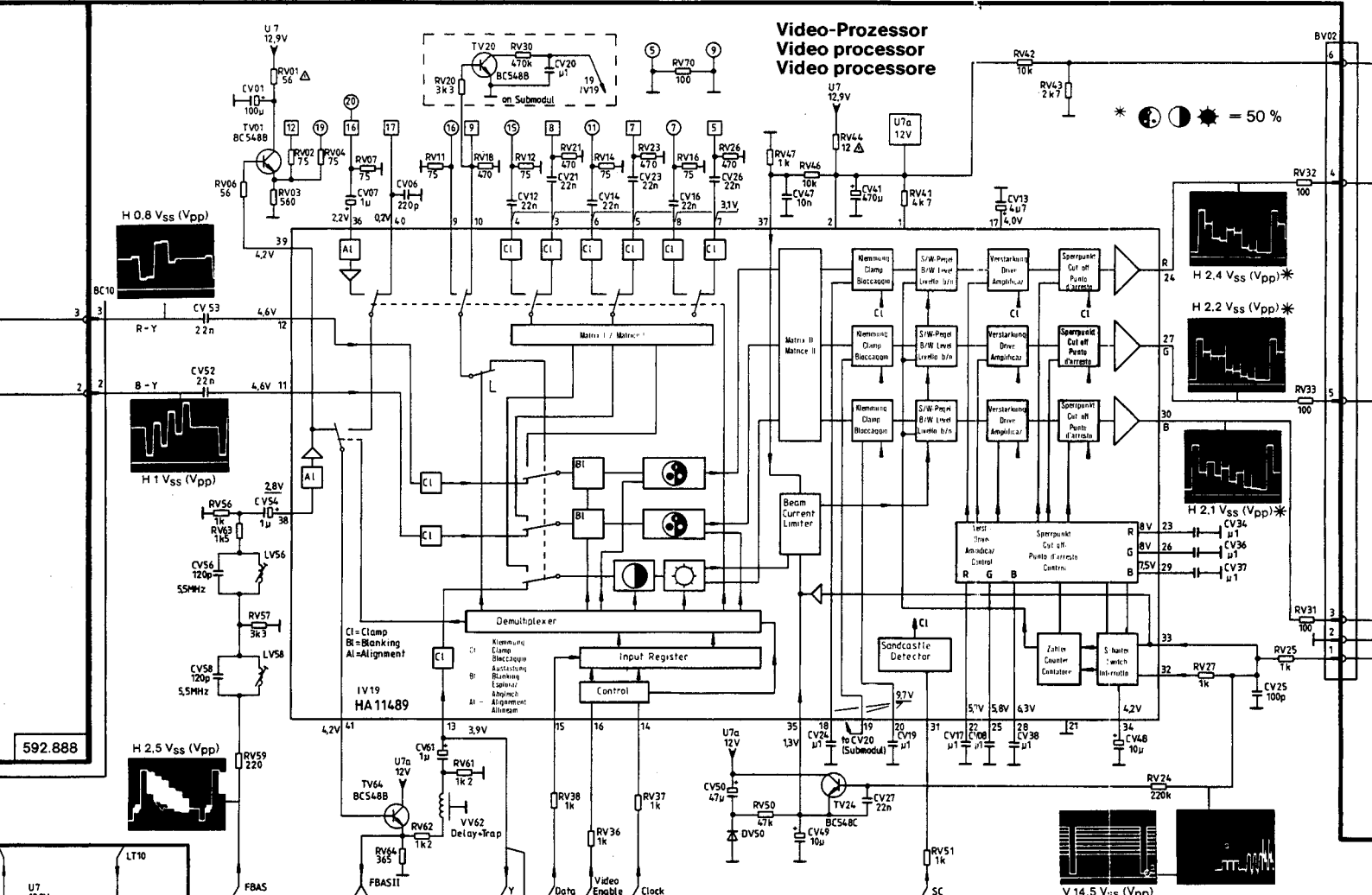


**Ton-Modul  
Sound modul  
Modulo aud**

FM4200M0

**Video-Prozessor  
Video processor  
Video processor**

\* ☉ ☽ ☼ = 50 %



**SERVIS**  
Mir Drljapan  
O. V. Nazora 34  
131) 812-963

**V + H-Generator/Ansteuerung Schaltnetzteil  
V + H generator/control of SMPS  
Generatore V + O/azionamento aliment. commut.**

H 0.25 Vss (Vpp)

