

HICKOK

OPERATING INSTRUCTIONS

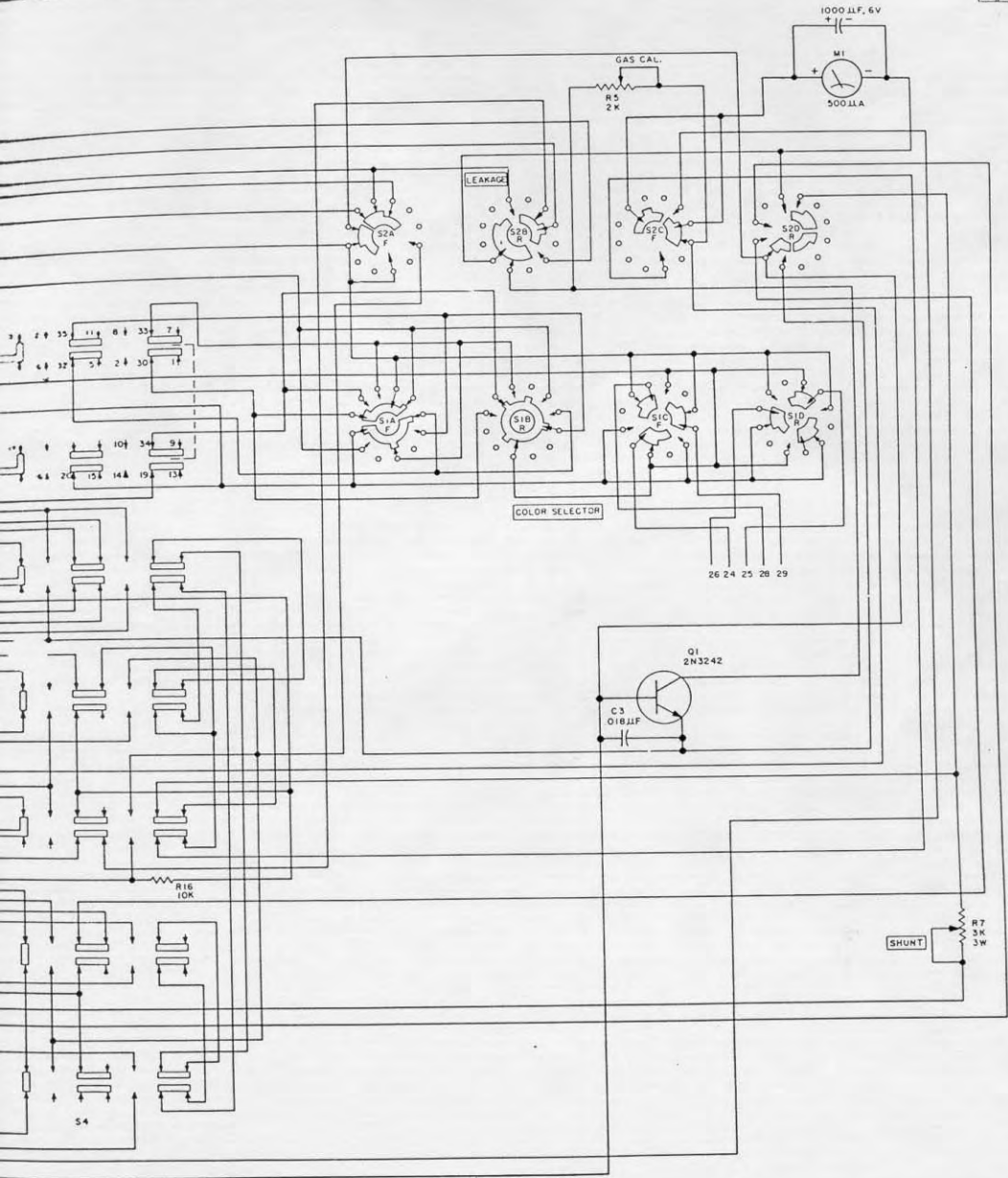
for

DYNAMIC MUTUAL CONDUCTANCE TUBE TESTER



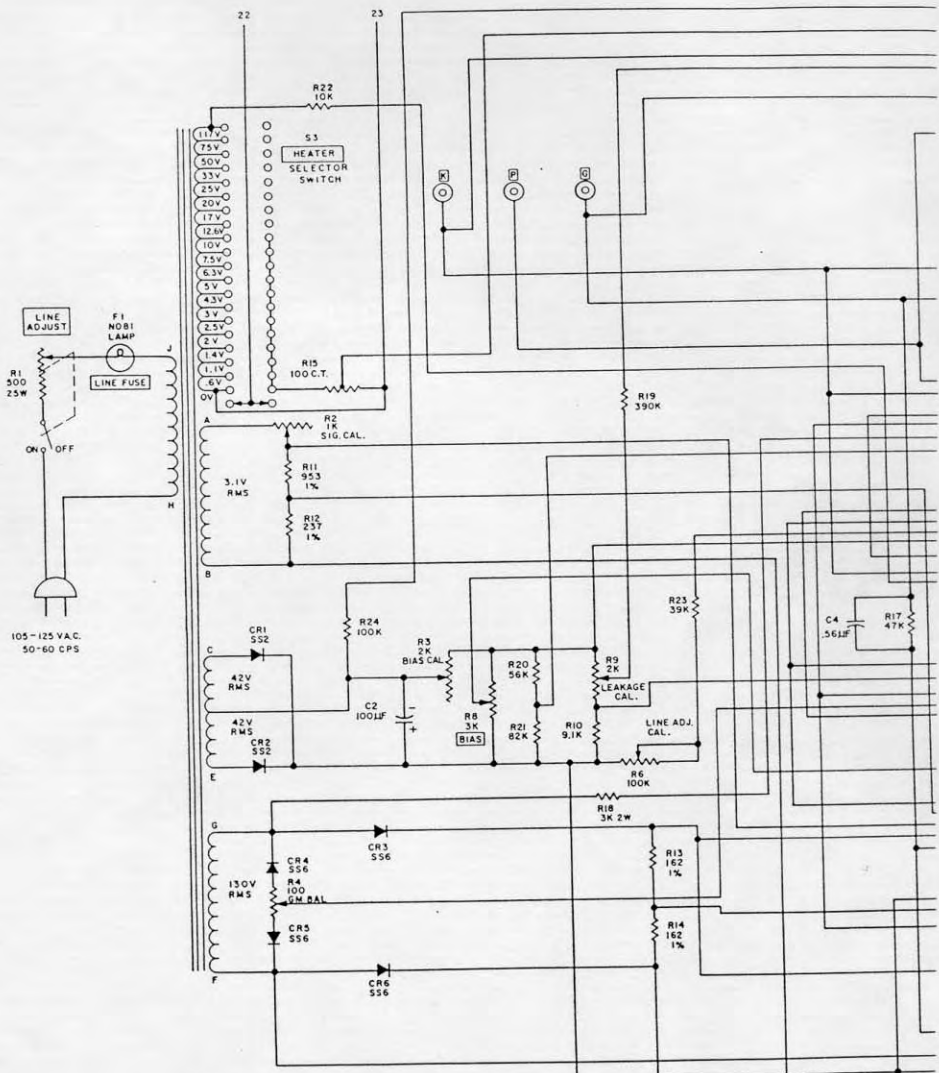
MODEL 799

©THE HICKOK ELECTRICAL INSTRUMENT CO. 1965
10514 DUPONT AVENUE • CLEVELAND, OHIO 44108 U.S.A.



Model 799 Schematic Wiring Diagram

| |
|------------|
| WIRE NO 35 |
| 3x -- 21-5 |
| 33-12 28-1 |
| 34-5 |
| 35-2 |
| 36-5 |
| 37-5 |
| 38-4 |
| 39-12 |
| IRE NO 24 |
| 7-1 |
| 14-3 |
| IRE NO 25 |
| 3-1- |
| 3-9 |
| 6-7 |
| 12-8 |
| IRE NO 26 |
| 22-4 |
| 31-6 |
| IRE NO 28 |
| 14-9 |
| 17-7 |
| 28-3 |
| 31-4 |
| 37-9 |
| IRE NO 29 |
| 3-2 |
| 12-5 |
| IRE NO 30 |
| 7-8 |
| 19-2 |
| 28-8 |
| 34-3 |
| 36-2 |
| IRE NO 31 |
| 1-3 |
| 7-7 |
| 21-7 |
| 31-9 |
| 32-7 |
| IRE NO 33 |
| 23-5 |
| IRE NO 34 |
| 10-7 |
| 17-9 |
| 31-2 |
| 31-5 |
| 33-5 |
| -1 |
| 7 |

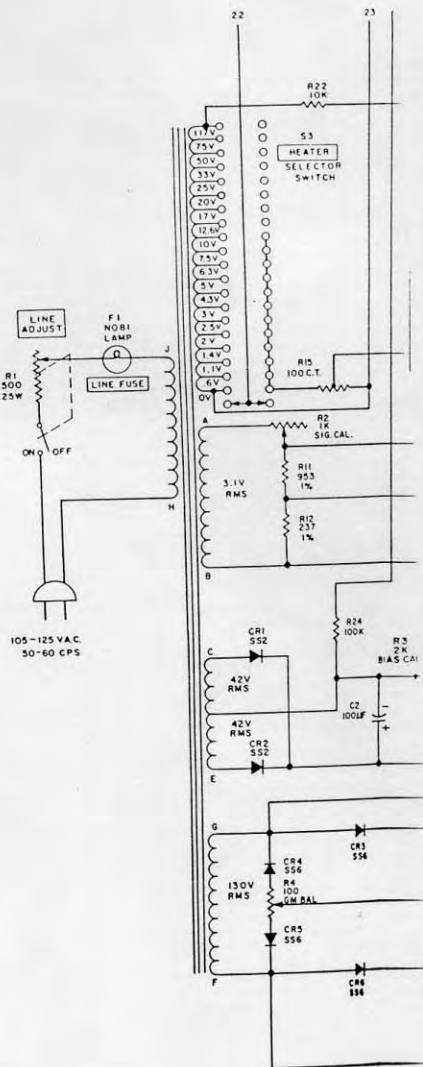


- NOTES:
1. UNLESS OTHERWISE SPECIFIED RESISTORS ARE $\pm 10\%$, 1/2 W AND SHOWN IN OHMS. K=1,000 M=1,000,000
 2. CAPACITANCES ARE IN MICROFARADS.
 3. SWITCH SECTIONS ARE SHOWN IN COUNTER-CLOCKWISE POSITION AS VIEWED FROM END.
 4. DENOTES FRONT PANEL.
 5. NO CONNECTION.
 6. CONNECTION

SOCKET WIRING
(EXAMPLE: 3-6+ SOCKET 3, PIN 6)

| WIRE NO 1 | WIRE NO 5 | WIRE NO 9 (CONT.) | WIRE NO 14 | WIRE NO 18 (CONT.) | 20-3 | WIRE NO 23 (CONT.) | WIRE NO 35 |
|-----------|-----------|-------------------|------------|--------------------|------------|--------------------|------------|
| 3-6 | 2-2 | 29-7 | 17-3 | 34-9 | 21-3 | 32-12 | 21-5 |
| 5-9 | 5-3 | | 32-4 | 36-6 | 22-1 | 33-12 | 28-1 |
| 10-1 | 5-6 | 32-9 | 36-3 | WIRE NO 19 | 23-2 | 34-5 | |
| 12-6 | 7-3 | 35-9 | 37-10 | 2-9 | 24-1 | 35-2 | |
| 15-7 | 9-2 | 37-6 | WIRE NO 13 | 3-3 | 25-1 | 36-5 | |
| 20-6 | 15-9 | 39-8 | 2-10 | 4-7 | 26-4 | 37-5 | |
| 22-3 | 16-7 | WIRE NO 10 | 4-2 | 10-2 | 27-4 | 38-4 | |
| 23-6 | 20-5 | 2-4 | 8-2 | 16-3 | 28-4 | 39-12 | |
| 24-5 | 22-6 | 15-3 | 9-6 | 16-9 | 29-10 | WIRE NO 24 | |
| 25-9 | 24-6 | 32-2 | 11-1 | 18-9 | 30-7 | 7-1 | |
| 29-1 | 24-11 | 35-4 | 14-11 | 19-1 | 31-1 | 14-3 | |
| 32-10 | 27-7 | WIRE NO 11 | 18-7 | 19-6 | 32-1 | WIRE NO 25 | |
| 33-3 | 28-8 | 5-2 | 26-2 | 23-1 | 33-1 | 3-1 | |
| 35-7 | 29-4 | 6-1 | WIRE NO 16 | 27-3 | 34-4 | 3-9 | |
| 38-5 | 32-8 | 6-6 | 16-8 | 28-7 | 35-1 | 6-7 | |
| WIRE NO 2 | 39-4 | 8-7 | 18-2 | 30-6 | 36-4 | 12-8 | |
| 15-7 | WIRE NO 6 | 9-5 | 33-9 | 33-8 | 37-4 | WIRE NO 26 | |
| 16-1 | 2-8 | 11-7 | WIRE NO 17 | WIRE NO 20 | 38-3 | 22-4 | |
| 27-1 | 7-10 | 14-10 | 1-4 | 17-8 | 39-10 | 31-6 | |
| 31-8 | 15-2 | 15-1 | 1-5 | 19-7 | WIRE NO 23 | WIRE NO 28 | |
| 31-11 | 18-3 | 21-6 | 3-7 | 28-2 | 1-8 | 14-9 | |
| 35-6 | 27-2 | 26-1 | 5-8 | 30-1 | 2-12 | 17-7 | |
| 37-2 | 32-3 | 27-9 | 8-5 | 30-4 | 3-5 | 28-3 | |
| WIRE NO 3 | 37-1 | 33-7 | 9-7 | 34-2 | 4-5 | 31-4 | |
| 2-11 | WIRE NO 7 | 36-9 | 11-5 | 34-6 | 5-5 | 37-8 | |
| 3-8 | 6-2 | 38-1 | 11-6 | WIRE NO 21 | 6-5 | 37-9 | |
| 4-3 | 10-5 | 38-6 | 12-4 | 4-6 | 7-6 | WIRE NO 29 | |
| 5-1 | 20-2 | WIRE NO 12 | 16-6 | 14-4 | 8-4 | 3-2 | |
| 6-3 | 29-6 | 2-7 | 17-6 | 36-1 | 9-4 | 12-5 | |
| 9-1 | 31-3 | 14-5 | 18-6 | 36-7 | 10-4 | WIRE NO 30 | |
| 12-1 | 33-4 | 14-8 | 19-8 | WIRE NO 22 | 11-4 | 7-8 | |
| 14-2 | 35-8 | 17-1 | 22-2 | 1-1 | 12-7 | 19-2 | |
| 15-8 | 36-8 | 30-3 | 23-3 | 1-2 | 13-3 | 28-6 | |
| 20-7 | 37-7 | 32-5 | 23-4 | 1-7 | 14-12 | 34-3 | |
| 24-2 | 38-2 | 33-10 | 24-7 | 2-1 | 15-5 | 36-2 | |
| 29-2 | WIRE NO 8 | WIRE NO 13 | 26-7 | 3-4 | 16-5 | WIRE NO 31 | |
| 32-11 | 2-3 | 5-7 | 26-8 | 4-4 | 17-5 | 1-3 | |
| 33-6 | 14-7 | 6-9 | 27-6 | 5-4 | 18-5 | 7-7 | |
| 39-2 | 35-5 | 7-2 | 30-5 | 6-4 | 19-5 | 21-7 | |
| WIRE NO 4 | WIRE NO 9 | 8-1 | 33-2 | 7-5 | 20-4 | 31-9 | |
| 1-6 | 4-1 | 11-2 | 34-8 | 8-3 | 21-4 | 32-7 | |
| 2-5 | 4-9 | 12-3 | 38-7 | 9-3 | 22-7 | WIRE NO 33 | |
| 4-8 | 6-8 | WIRE NO 18 | 10-3 | 23-7 | 23-7 | 23-5 | |
| 13-5 | 7-4 | 24-4 | 7-9 | 11-3 | 24-12 | WIRE NO 34 | |
| 15-6 | 18-8 | 24-10 | 10-6 | 12-2 | 25-3 | 10-7 | |
| 17-2 | 19-9 | 26-3 | 14-6 | 13-1 | 26-5 | 17-9 | |
| 25-5 | 20-1 | 27-8 | 18-1 | 14-1 | 27-5 | 31-2 | |
| 32-6 | 21-1 | 31-7 | 19-3 | 15-4 | 28-5 | 31-5 | |
| 37-3 | 23-8 | 21-2 | 16-4 | 17-4 | 29-12 | 33-5 | |
| | 24-8 | 30-2 | 17-4 | 30-8 | 34-1 | | |
| | 26-9 | 31-10 | 18-4 | 31-12 | 34-7 | | |
| | 28-9 | 33-11 | 19-4 | | | | |

NOTE:
WIRE 27 AND 32 NOT USED



- NOTES:
1. UNLESS OTHERWISE SPECIFIED, RESISTORS ARE IN OHMS. R+1,000 R+10,000, etc.
 2. CAPACITANCES ARE IN MICROFARADS.
 3. SWITCH SECTIONS ARE SHOWN IN CLOCKWISE POSITION AS VIEWED FROM 1-4.
 4. □ DENOTES FRONT PANEL.
 5. + NO CONNECTION.
 6. ⊕ CONNECTION.

TABLE OF CONTENTS

| | Page |
|--|------|
| Meet Your "Mustang" (General Information | 4 |
| Controls and Connectors | 4 |
| Making the Set-up | 5 |
| Now You Can Test the Tube | 5 |
| Test Circuit Descriptions | 8 |
| Maintenance | 9 |
| Calibration | 10 |
| Supplementary Tube Data | 10 |
| Parts List | 11 |
| Schematic Wiring Diagram (in back of manual) | |

MEET YOUR "MUSTANG"

This is Hickok's Model 799, called the "Mustang" because of its modern features which incorporate SPEED into tube testing procedures. The multi-socket design eliminates time-consuming switching, and its solid state circuitry provides accuracy, reliability and light weight. As future tube types require more sockets, accessory assemblies will be made available for insertion into the panel to prevent obsolescence.

POWER REQUIREMENTS - 105-125 Volts, 50/60 cycles, 30 watts

WEIGHT - 19 lbs

SIZE - 19" x 15-1/2" x 6-1/4" deep

TUBE DATA - Data for all common tube types appears on the panel, as well as in the data booklet; booklet also includes data for the less common tubes.

CONTROLS AND CONNECTORS

The simplicity of operation of the Model 799 means the procedures for testing a tube will become routine to the operator after one time through the steps. Fig. 1 shows location of all controls and connectors, and they are explained in detail on page 5.

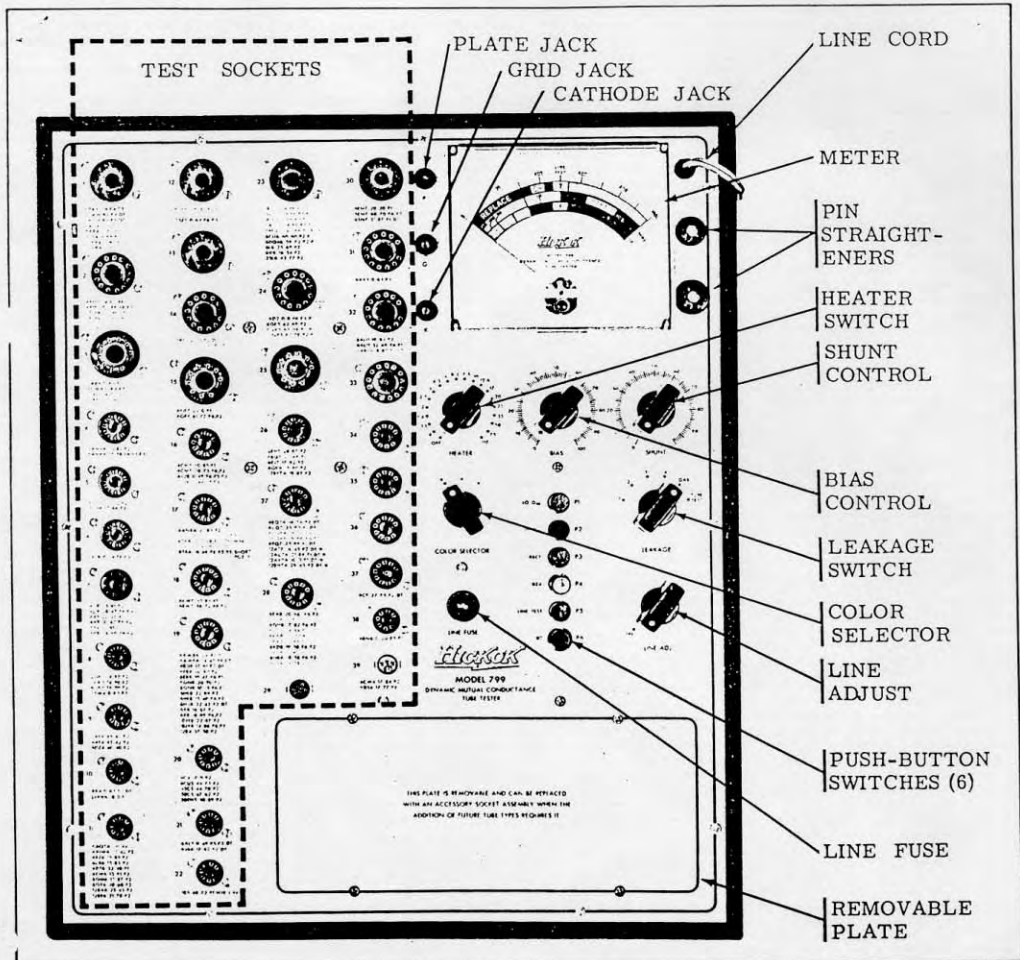


Figure 1. Controls and Connectors

TUBE SOCKETS - Min. 7, Min. 9, 10-pin Sylvania, Novar, Compactron, Octal, 5 and 7-pin Nuovistor and 10-pin Decal.

PLATE JACK - Connects plate of tube having top-cap connection to test circuitry.

GRID JACK - Connects grid of tube having top-cap connection to test circuitry.

CATHODE JACK - Connects cathode of tube having top-cap connection to test circuitry.

METER - Direct readout; indicates condition of tube in multi-colored scales; will detect as little as 1/10 μ amp of grid current for gas test; measures inter-element leakage in terms of resistance up to 50 megohms.

PIN STRAIGHTENERS - Provide method of straightening pins for 7 and 9-pin tubes.

HEATER CONTROL - Provides voltage settings in 19 steps from 0 to 117 volts.

SHUNT CONTROL - Continuously variable, provides Gm range control: low, 1,000 to 5,000 μ mhos; high, 5,000 to 20,000 μ mhos.

BIAS CONTROL - Continuously variable, provides proper Grid BIAS.

LEAKAGE SWITCH - Provides connections for measuring inter-element leakage and testing for presence of gas. Also provides a TUBE TEST position to establish Gm circuitry.

COLOR SELECTOR - Three-position switch provides for re-arrangement of test socket receptacles for extended tube base coverage.

LINE ADJ - Continuously variable control to standardize line voltage and tube test potentials.

PUSH-BUTTON SWITCHES -

- P1 - provides low Gm range
- P2 - provides high Gm range
- P3 - provides power rectifier tests
- P4 - provides high-voltage rectifier tests
- P5 - operates in connection with LINE ADJ control to standardize line voltage
- P6 - provides selection of elements of second section of tubes, such as the 12AT7

LINE FUSE - Safety device for protection of tester as well as tube under test.

REMOVABLE PLATE - Your protection against obsolescence. This plate can be replaced by an accessory socket assembly when addition of future tube types requires new sockets. Also, CALIBRATION CONTROLS ARE LOCATED BENEATH THIS PLATE.

MAKING THE SET-UP

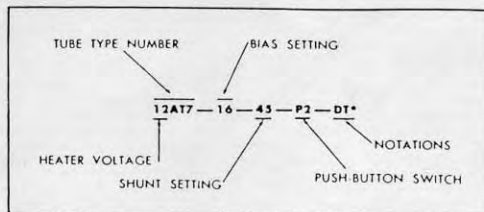


Figure 2. Explanation of Typical Tube Data Line

1. Select the socket on the panel which corresponds to the type number of the tube to be tested (see Fig. 2). **DO NOT INSERT THE TUBE AT THIS TIME.** The common tube types appear on the panel and additional types appear in the Tube Test Data Book.

2. Rotate the COLOR SELECTOR to match the color of the printing of the tube data line you are using; e.g., if data is in red, turn switch to R, if in green, turn to G, etc. If you get your data from the Data Book, the data line includes either an R, G, or B to indicate COLOR SELECTOR SETTING.

3. All numbers appearing before the first letter of the tube type indicate the nominal heater voltage for the tube to be tested. In the example of Fig. 2, the nominal heater voltage is 12; therefore, the HEATER control should be rotated until the knob points to the number closest to 12. In this case, it is 12.6.

4. Set the LINE ADJ (adjust) control to the OFF position.

5. Place the LEAKAGE switch on the TUBE TEST position.

6. If PUSH-BUTTON switch is indicated as P6 in tube data line, DEPRESS AND LOCK IT DOWN.

NOW YOU CAN TEST THE TUBE

1. Insert the tube into the socket directly above the data line corresponding to the tube type number. In the example of Fig. 2 it is socket #27.

2. Press the LINE TEST push-button switch, and, while holding it depressed, slowly rotate the LINE ADJ CONTROL clockwise until the meter reads at LINE TEST on its dial.

Check for letter combinations or symbols at the of the tube data line being used. In figure 2, for example, the notation is DT. Following is an explanation of the notations to be found on tube data lines:

- P - Connect tube cap to plate jack P
- G - Connect tube cap to grid jack G
- K - Connect tube cap to cathode jack K
- DT - Repeat test while holding push-button P6 down
- 350 MIN - Tube is satisfactory if reading is 350 or more
- SHORT POS 1 - Good tube indicates short on LEAKAGE position 1
- HTR-1.4V - Set HEATER switch to 1.4 volts.
- * - Disregard short on LEAKAGE position 3.
- † - Make leakage test with HEATER switch OFF.
- ★ - Disregard GAS test.

4. Rotate the LEAKAGE switch through each of its four positions, pausing at each to check the meter reading. If the pointer is in the red area of the leakage scale at any time, discard the tube unless the notation on the data line allows a LEAKAGE exception for the tube under test. Now return the LEAKAGE switch to TUBE TEST position.

NOTE: Heater-cathode leakage is measured in position 3 of the leakage switch. Heater-cathode leakage current is read on the meter with full scale being 500 μ amps. Any tubes registering in red or yellow areas in the leakage scale should be discarded. Here are maximum permissible heater-cathode currents.

| Tube Types | Maximum Permissible Heater-Cathode Currents |
|---------------------------------|---|
| Amplifier Tubes | |
| Plate Current: 0-20 ma | 20 μ amp |
| 20-50 ma | 50 μ amp |
| 50-100 ma | 100 μ amp |
| Horizontal Deflection Amplifier | 100 μ amp |
| Damper Diodes | 10 μ amp |

5. BIAS setting is the number following the tube type number in the data line (see Fig. 2 for example) and SHUNT setting is the number after bias. Rotate these BIAS and SHUNT control knobs to the indicated settings.

6. The next number in the data line, prefixed by a P, indicates push-button switch or switches to be used. Press the button, or buttons, indicated and read mutual conductance (quality) of the tube on the top colored scale. Red areas indicate the tube is faulty, yellow areas indicate questionable quality, green areas indicate acceptable quality.

7. To make a gas test on amplifier tubes, repeat step six and, while holding down pushbutton(s), rotate the LEAKAGE switch to the gas position. The gas content of the tube is read on the bottom scale of the meter marked gas.

8. Return push-button switch P6 to its normal position.

NOTE: If more than one tube data line appears opposite a tube type, repeat the above steps for each data line.

MAXIMUM PERMISSIBLE GRID CURRENT

Because of the many and varied applications in which a given tube may be used, it is neither possible nor practical to establish a hard and fast limit for maximum permissible grid current. A certain grid current in a certain tube may be entirely satisfactory in one application and entirely unsatisfactory in another. For example, in an IF strip with a common AGC circuit, the individual grid currents may not be excessive, yet due to the common AGC, the total of the individual grid currents may be great enough to seriously impair circuit function. Thus, experience is the best guide. Figure 3 provides a general guide for maximum permissible grid currents based on typical applications.

| LOW LEVEL AF TRIODE AMPLIFIERS | MAX. PERMISSIBLE GRID CURRENT |
|--------------------------------|-------------------------------|
| 6AT6 | 0.5 μ a |
| 12AT6 | 0.5 μ a |
| 6AV6 | 0.5 μ a |
| 12AV6 | 0.5 μ a |
| 12AX7 | 1 μ a |

| LOW LEVEL RF TRIODE AMPLIFIERS | MAX. PERMISSIBLE GRID CURRENT |
|--------------------------------|-------------------------------|
| 6BC8 | 1 μ a |
| 6BQ7 | 1 μ a |
| 6BS8 | 1 μ a |
| 6BZ7 | 1 μ a |
| 6DJ8 | 1 μ a |
| 6J6 | 2 μ a |

| PENTODE AMPLIFIERS | MAX. PERMISSIBLE GRID CURRENT |
|--------------------|-------------------------------|
| 6AU6 | 1 μ a |
| 6BA6 | 1 μ a |
| 6BC5 | 1.5 μ a |
| 6BH6 | 1 μ a |
| 6CB6 | 1.5 μ a |
| 6BZ6 | 1.5 μ a |
| 6CF6 | 1.5 μ a |
| 6DE6 | 1.5 μ a |
| 6DK6 | 1.5 μ a |
| 6EW6 | 1.5 μ a |

| GENERAL PURPOSE TRIODES | MAX. PERMISSIBLE GRID CURRENT |
|-------------------------|-------------------------------|
| 6C4 | 1.5 μ a |
| 6CG7 | 2 μ a |
| 6S4 | 2.5 μ a |
| 6SN7 | 2 μ a |

| POWER PENTODES | MAX. PERMISSIBLE GRID CURRENT |
|----------------|-------------------------------|
| 6CA5 | 1.5 μ a |
| 6AQ5 | 2 μ a |
| 6CL6 | 3 μ a |
| 6CM6 | 2 μ a |
| 6CU5 | 2 μ a |
| 50C5 | 2 μ a |
| 6EM5 | 3 μ a |
| 6L6 | 3 μ a |
| 6BG6 | 4 μ a |
| 6CD6 | 5 μ a |
| 6DQ6 | 4.5 μ a |

Figure 3. Maximum Permissible Grid Current of Typical Tubes

TEST CIRCUIT DESCRIPTIONS

The Model 799 has a unique switching system which reduces immeasurably the amount of switching necessary to completely test a tube in all its phases. See schematic wiring diagram in back of this manual. By use of appropriate push-button switches the various sensing circuits are actuated. For simplicity, the sensing circuitry of each test is considered separately.

DYNAMIC MUTUAL CONDUCTANCE TEST CIRCUIT

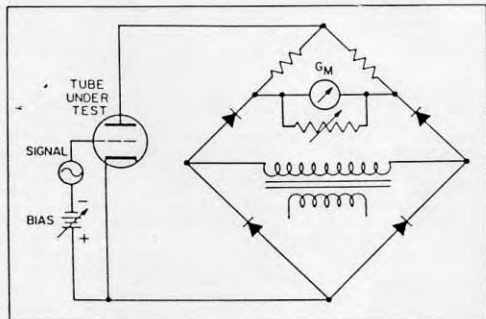


Figure 4. Simplified Mutual Conductance Test Circuit

Mutual conductance (also called transconductance) is defined as the ratio of a small change in plate current to a small change in grid voltage causing it. Its symbol is G_m and it is the figure of merit of a vacuum tube. Thus, if the plate of a tube is fed from a full wave supply (diodes CR-3, -4, -5, and -6 in the schematic wiring diagram) and an ac signal of the same frequency is inserted into the grid circuit, the current during one half cycle will be greater than the current during the other half cycle. If the grid signal is maintained at a low level, the G_m of the tube under test will be directly proportional to the difference between the two plate currents. This difference between the two currents is detected by the meter in conjunction with the two G_m sensing resistors and the shunt control. See figure 4.

GAS TEST CIRCUIT

A common method of detecting the presence of gas in a vacuum tube has been to insert a high resistance into the grid lead so that the grid current flowing due to the presence of gas, will cause a voltage drop across the resistance; thus subtracting from the bias and causing the plate current to increase.

Therefore, in the Model 799 the grid current (and hence the presence of gas) is detected by a transistorized amplifier in series with the bias supply while rated plate current is flowing. During testing, the grid current is directly readable on the GAS scale of the meter. Sensitivity is $10 \mu\text{amp}$ full scale and meter may be read to about $0.1 \mu\text{amp}$. See figure 5.

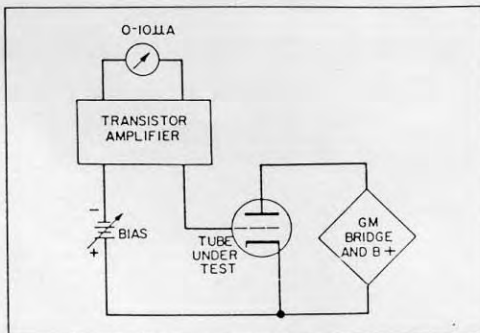


Figure 5. Simplified Gas Test Circuit

DUAL TEST CIRCUIT

The dual test push-button switch (DT - P6) facilitates testing of tubes with identical sections in the same envelope. Due to the multiplicity of sockets and the many connections on each socket, it is not practical to graphically portray a simplified dual test circuit. For specific information, refer to the schematic wiring diagram in the back of this manual

LEAKAGE TEST CIRCUIT

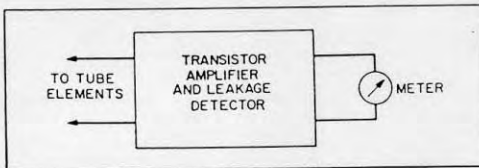


Figure 6. Simplified Leakage Test Circuit

The leakage test circuit is basically a transistorized ohmmeter which is switched between the various tube elements of the tube being tested by means of the LEAKAGE switch. The transistor drives the meter to full scale with a direct short. The design provides a safe inter-element test voltage for all tubes and avoids possible "poisoning" of grids due to a high test voltage. See figure 6.

DETECTOR DIODE TEST CIRCUIT

Detector diodes are usually rated in tube manuals on a basis of dc current rather than the ac voltages as in testing power rectifiers. Therefore, detector diodes are tested for their emission qualities while a dc voltage is applied in a test circuit as shown in figure 7, page 9.

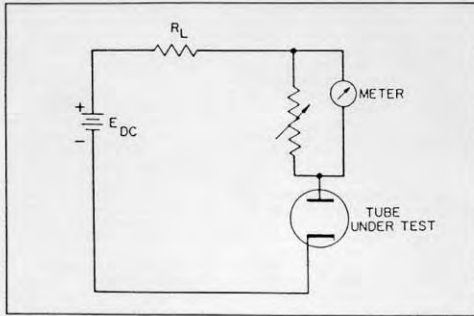


Figure 7. Simplified Detector Diode Test Circuit

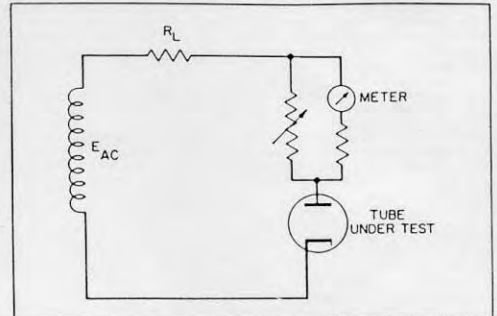


Figure 8. Simplified Power Rectifier Test Circuit

POWER RECTIFIER TEST CIRCUIT

Power rectifiers are employed to convert an ac voltage into a dc voltage. The emission properties of a power rectifier are an indication of the efficiency with which the tube can convert an ac voltage into a dc voltage. The test circuit as shown in figure 8 checks the emission characteristics of power rectifiers under simulated conditions encountered in actual operation of a tube.

MAINTENANCE

The Model 799 Mutual Conductance Tube Tester is built in accordance with sound engineering principles, by skilled personnel, using quality components. It should give years of trouble-free service. However, if service is required, it is suggested that the factory be contacted with regard to the nature of the trouble, and if necessary, the unit be returned to the factory or an authorized Hickok repair station for inspection and service.

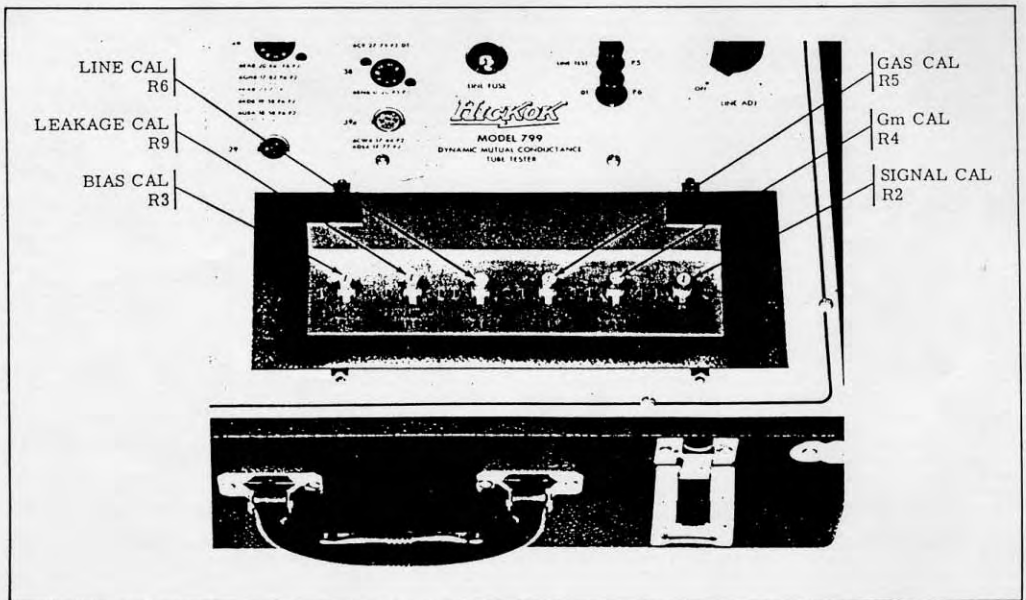


Figure 9. Calibration Controls

CALIBRATION

All calibration controls are located beneath the cover plate on the panel of the unit. It is only necessary to remove four screws. It is not necessary to remove the instrument from its case. See figure 9.

It is important that LEAKAGE, LINE ADJ, and GAS controls be re-adjusted every time the BIAS supply is re-calibrated as there is interaction between these adjustments. The following equipment is required for calibration.

- a. AC-DC VTVM - Accuracy of $\pm 1\%$ or better is required - 100 volt dc range, 2.5 volt and 200 volt ac ranges.
- b. DC microammeter, 0-10 microamps range.
- c. Resistor, 1 meg, $\pm 5\%$, 1/2 watt.
- d. Resistor, 1K, $\pm 5\%$, 10 watts.

LINE TEST AND BIAS CALIBRATION

To adjust the line test and bias circuits, proceed as follows:

- a. Connect the AC VTVM between plate (P) and cathode (K) jacks on the front panel.
- b. Depress and hold down push-button P3, while performing the next step.
- c. Set LINE ADJ control for a reading of 143 volts RMS on the AC VTVM.
- d. Release the push-button P3.
- e. Disconnect the AC VTVM.
- f. Connect the DC VTVM between grid (G) and cathode (K) jacks on the panel. Plus (+) to cathode (K), minus (-) to grid (G).
- g. Set the BIAS control to 100.
- h. Adjust BIAS CAL R3 (figure 9) for a 50 volt reading on the DC VTVM.
- i. Adjust LINE CAL R6 (figure 9) for a half-scale reading (LINE TEST) mark on the meter of Model 799.

GAS TEST CALIBRATION

To adjust the gas test circuit, proceed as follows:

- a. Set the LEAKAGE switch to TUBE TEST position.
- b. Check the line voltage. Press push-button switch LINE TEST - P5. If the pointer of the Model 799 meter does not point to LINE TEST position, adjust to this position by means of the LINE ADJ control.
- c. Set LEAKAGE switch to GAS position.
- d. Set BIAS control to 0 (zero).

- e. Connect the DC microammeter between the grid (G) and cathode (K) jacks on the panel with the 1 meg, $\pm 5\%$, 1/2 watt resistor in series with the DC microammeter. Press and hold down push-button P1 and adjust BIAS control on front panel of Model 799 for a 10 microamperes reading on the DC microammeter.

- f. Adjust GAS CAL - R5 (figure 9) for a full scale reading on the Model 799 meter. If full scale reading cannot be obtained, set for highest possible reading. This highest possible reading (but under 1000 on the meter scale) is satisfactory. A slight variation at this point is not critical.

LEAKAGE CALIBRATION

Leakage calibration can only be made AFTER the bias and gas calibrations have been made. To calibrate the leakage circuit, proceed as follows:

- a. Set LEAKAGE switch to position 2.
- b. Connect a jumper between the grid (G) and the cathode (K) jacks on the front panel.
- c. Adjust LEAKAGE CAL - R9 (figure 9) for a full scale reading on the Model 799 meter.

SIGNAL CALIBRATION

To calibrate the signal circuit, proceed as follows:

- a. Check the line voltage. Press push-button switch LINE TEST - P5. If the pointer of the Model 799 meter does not point to LINE TEST position, adjust to this position by means of the LINE ADJ control.
- b. Set the BIAS control to 0 (zero).
- c. Connect the AC VTVM between the grid (G) and the cathode (K) jacks on the front panel. Meter ground to cathode jack (K).
- d. Press and hold down push-button P1 and adjust SIG CAL - R2 (figure 9) for a reading of 2.5 volts (RMS) on the AC VTVM.

Gm BALANCE CALIBRATION

- a. Set SHUNT control to 0 (zero).
- b. Connect a 1K, $\pm 5\%$, 10 watt resistor between the plate (P) and the cathode (K) jacks on the front panel.
- c. Press and hold down push-button P2 and adjust Gm CAL - R4 (figure 9) for a 0 (zero) meter reading on the Model 799 meter.

SUPPLEMENTARY TUBE DATA

Regular supplementary data service is available through your Hickok distributor or by writing directly to the factory: 10514 Dupont Ave., Cleveland, Ohio, 44108. These same sources can provide you with the **latest information on availability of future accessory socket assemblies.**

PARTS LIST

Reference designations are assigned to identify all parts of the Model 799 Dynamic Mutual Conductance Tube Tester. These designations are used in the parts list and the schematic wiring diagram. The letter prefix of a reference designation indicates the kind of part - resistor, capacitor, electron tube, etc. The number differentiates between parts of the same group.

| REF. DESIG. | NOTES | NAME AND DESCRIPTION | HICKOK PART NO. | PRICE EACH |
|-------------|-------|---|-----------------|------------|
| C1 | | CAPACITOR, FIXED, ELECTROLYTIC: 1000 μ f, 6 volts, tubular | 3085-101 | 1.54 |
| C2 | | CAPACITOR, FIXED, ELECTROLYTIC: 100 μ f, 150 volts, tubular | 3085-224 | 1.54 |
| C3 | | CAPACITOR, FIXED, MYLAR: .018 μ f, 5%, 200 volts | 3090-206 | 1.55 |
| C4 | | CAPACITOR, FIXED, MYLAR: .56 μ f, 5%, 400 volts | 3090-434 | .73 |
| CR1 | | SEMI-CONDUCTOR DEVICE, DIODE: SS2, 200 PIV | 3870-146 | 1.50 |
| CR2 | | Same as CR1 | | |
| CR3 | | SEMI-CONDUCTOR DEVICE, DIODE: SS6, 600 PIV | 3870-145 | 3.60 |
| CR4 | | Same as CR3 | | |
| CR5 | | Same as CR3 | | |
| CR6 | | Same as CR3 | | |
| F1 | | LAMP: #81, bayonet type | 12270-2 | .20 |
| Q1 | | TRANSISTOR: 2N3242 | 20861-63 | 1.92 |
| R1 | | RHEOSTAT: 500 ohms, 10%, 25 watt | 18750-38 | 4.11 |
| R2 | | RESISTOR, VARIABLE: composition, 1000 ohms, 10%, 1/2 watt, snap-in type | 40500-102 | 5.50 |
| R3 | | RESISTOR, VARIABLE: composition, 2K ohms, 10%, 1/2 watt, snap-in type | 16925-280 | .36 |
| R4 | | RESISTOR, VARIABLE: composition, 100 ohms, 10%, 1/2 watt, snap-in type | 40500-101 | 4.25 |
| R5 | | Same as R3 | | |
| R6 | | RESISTOR, VARIABLE: composition, 100K ohms, 10%, 1/2 watt, snap-in type | 40500-104 | 2.50 |
| R7 | | RESISTOR, VARIABLE: composition, 3K ohms, 3 watt | 16925-529 | 2.25 |
| R8 | | POTENTIOMETER: adjusted, 3000 ohms | 16926-5 | 8.95 |
| R9 | | Same as R3 | | |

| REF. DESIG. | NOTES | NAME AND DESCRIPTION | HICKOK PART NO. | PRICE EACH |
|-------------|-------|---|-----------------|------------|
| R10 | | RESISTOR, FIXED, COMPOSITION: 9.1K ohms, 5%, 1/2 watt | 18412-911 | .13 |
| R11 | | RESISTOR, FIXED, FILM: 953 ohms, 1%, 1/2 watt | 18694-291 | .90 |
| R12 | | RESISTOR, FIXED, FILM: 237 ohms, 1%, 1/2 watt | 18694-233 | .90 |
| R13 | | RESISTOR, FIXED, FILM: 162 ohms, 1%, 1/2 watt | 18694-217 | .90 |
| R14 | | Same as R13 | | |
| R15 | | RESISTOR: 100 ohms, 10%, 10 watt, vitreous enamel, center tapped | 18575-19 | .57 |
| R16 | | RESISTOR, FIXED, COMPOSITION: 10K ohms, 5%, 1/2 watt | 18413-101 | .08 |
| R17 | | RESISTOR, FIXED, COMPOSITION: 47K ohms, 10%, 1/2 watt | 18413-472 | .13 |
| R18 | | RESISTOR, FIXED, COMPOSITION: 3K ohms, 5%, 2 watt | 18432-301 | .24 |
| R19 | | RESISTOR, FIXED, COMPOSITION: 390K ohms, 10%, 1/2 watt | 18414-392 | .13 |
| R20 | | RESISTOR, FIXED, COMPOSITION: 56K ohms, 5%, 1/2 watt | 18413-561 | .13 |
| R21 | | RESISTOR, FIXED, COMPOSITION: 82K ohms, 5%, 1/2 watt | 18413-821 | .13 |
| R22 | | RESISTOR, FIXED, COMPOSITION: 10K ohms, 10%, 1 watt | 18423-102 | .13 |
| R23 | | RESISTOR, FIXED, COMPOSITION: 39K ohms, 10%, 1/2 watt | 18413-392 | .13 |
| R24 | | RESISTOR, FIXED, COMPOSITION: 100K ohms, 10%, 1/2 watt | 18414-102 | .13 |
| S1 | | SWITCH, ROTARY: 2 section, 6 pole, 3 position | 19912-568 | 3.75 |
| S2 | | SWITCH, ROTARY: 2 section, 6 position | 19912-580 | 6.00 |
| S3 | | SWITCH, ROTARY: 1 section, 2 pole, 20 position | 19912-338 | 6.50 |
| S4 | | SWITCH, PUSH: 6 button gang, non-shorting | 19910-176 | 9.00 |
| T1 | | TRANSFORMER: power | 20800-327 | 24.00 |
| X1 | | SOCKET: 8 pin, octal | 19350-435 | .75 |
| X2 | | SOCKET: 12 pin | 19350-365 | .18 |
| X3 | | SOCKET: 9 pin, novar | 19350-367 | .18 |
| X4 | | SOCKET: 9 pin | 19350-192 | .18 |
| X5 | | Same as X4 | | |
| X6 | | Same as X4 | | |
| X7 | | SOCKET: 10 pin | 19350-434 | .25 |

| REF. DESIG. | NOTES | NAME AND DESCRIPTION | HICKOK PART NO. | PRICE EACH |
|-------------|-------|--------------------------|-----------------|------------|
| X8 | | SOCKET: 7 pin miniature | 19350-136 | .18 |
| X9 | | Same as X8 | | |
| X10 | | Same as X8 | | |
| X11 | | Same as X8 | | |
| X12 | | Same as X1 | | |
| X13 | | Same as X1 | | |
| X14 | | Same as X2 | | |
| X15 | | Same as X3 | | |
| X16 | | Same as X4 | | |
| X17 | | Same as X4 | | |
| X18 | | Same as X4 | | |
| X19 | | Same as X4 | | |
| X20 | | Same as X8 | | |
| X21 | | Same as X8 | | |
| X22 | | Same as X8 | | |
| X23 | | Same as X1 | | |
| X24 | | Same as X2 | | |
| X25 | | Same as X3 | | |
| X26 | | Same as X4 | | |
| X27 | | Same as X4 | | |
| X28 | | Same as X4 | | |
| X29 | | SOCKET: 7 pin, nuvistor | 19350-382 | .18 |
| X30 | | Same as X1 | | |
| X31 | | Same as X2 | | |
| X32 | | Same as X2 | | |
| X33 | | Same as X2 | | |
| X34 | | Same as X4 | | |
| X35 | | Same as X4 | | |
| X36 | | Same as X4 | | |
| X37 | | SOCKET: 10 pin | 19350-364 | .18 |
| X38 | | Same as X8 | | |
| X39 | | SOCKET: nuvistor, triode | 19350-336 | .20 |

| REF. DESIG. | NOTES | NAME AND DESCRIPTION | HICKOK PART NO. | PRICE EACH |
|----------------|-------|---|--------------------|---------------|
| | | BUTTON: molded, push, black | 2920-7 | .10 |
| | | BUTTON: molded, push, red | 2920-8 | .10 |
| | | BOOKLET: Tube Data | 2490-516 | 4.00 |
| | | CORD: AC line, grey | 3675-42 | .70 |
| | | KNOB ASSY: with pointer, bar type | 11500-11 | .14 |
| | | LEAD ASSEMBLY | 12450-400 | 1.20 |
| | | METER | 660-158 | 11.58 |
| | | PIN STRAIGHTENER: 7 pin, styrene, black | 16277-6 | .25 |
| | | PIN STRAIGHTENER: 9 pin, styrene, black | 16277-7 | .25 |
| | | SOCKET: Bayonet, for #81 lamp | 19350-1 | .35 |
| | | BOOKLET: Instruction | 2490-507 | 2.25 |
| | | CASE: Portable | 3145-667 | 11.00 |

K4XL's **BAMA**

This manual is provided **FREE OF CHARGE** from the “BoatAnchor Manual Archive” as a service to the Boatanchor community.

It was uploaded by someone who wanted to help you repair and maintain your equipment.

If you paid anyone other than BAMA for this manual, you paid someone who is making a profit from the free labor of others without asking their permission.

You may pass on copies of this manual to anyone who needs it. But do it without charge.

Thousands of files are available without charge from BAMA. Visit us at <http://bama.sbc.edu>