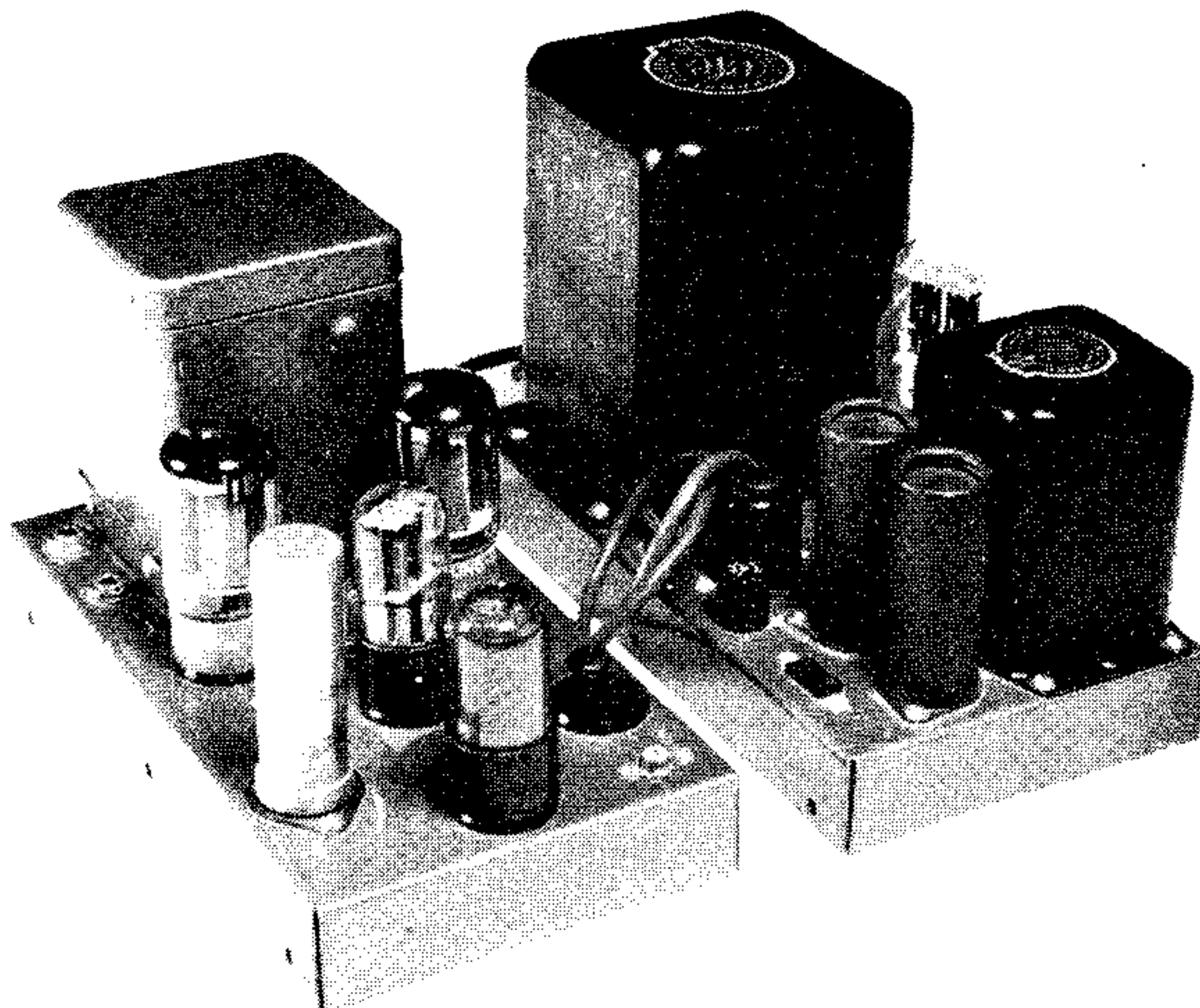


HEATHKIT "WILLIAMSON TYPE" AMPLIFIER

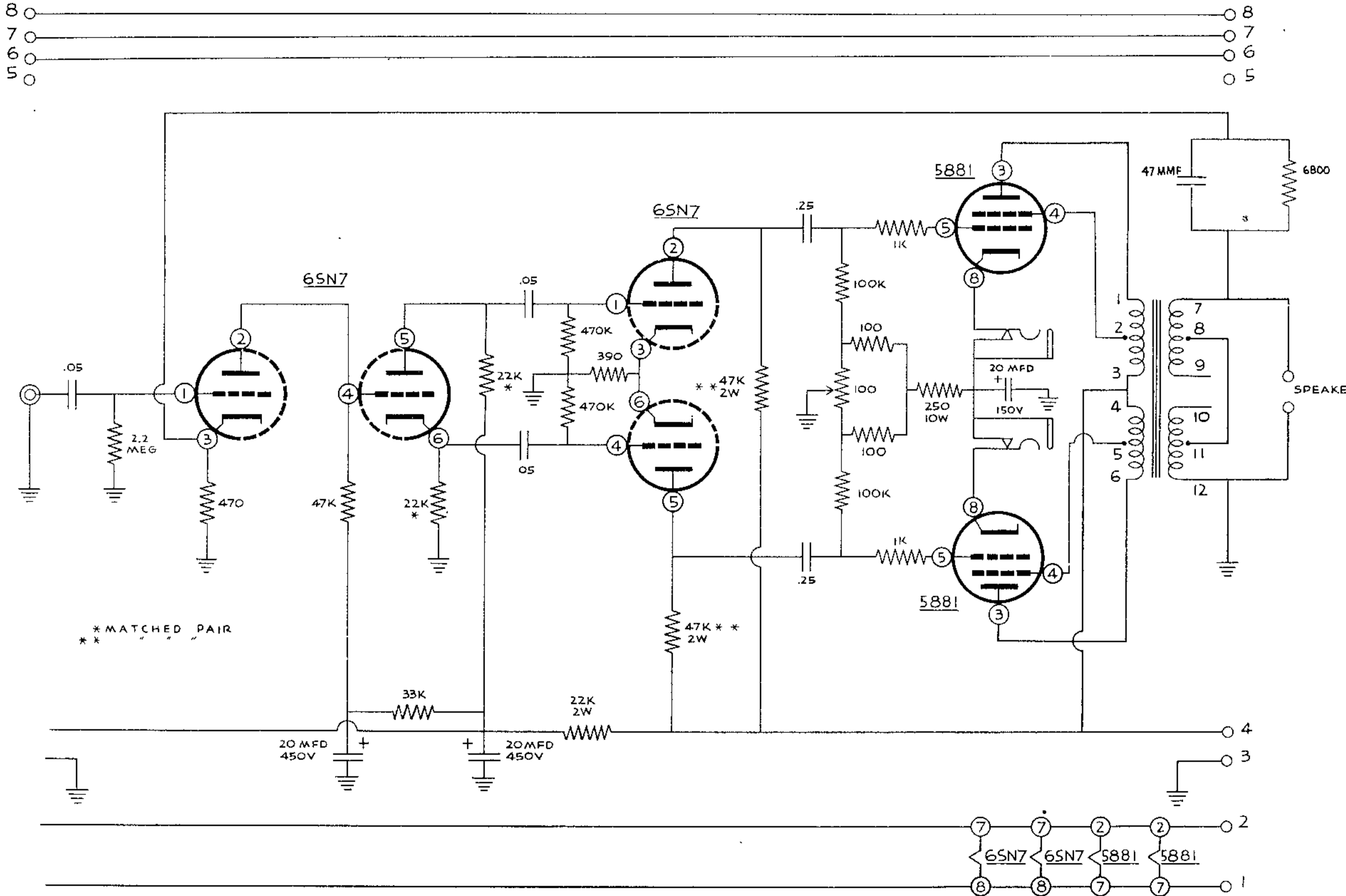
MODEL W-2



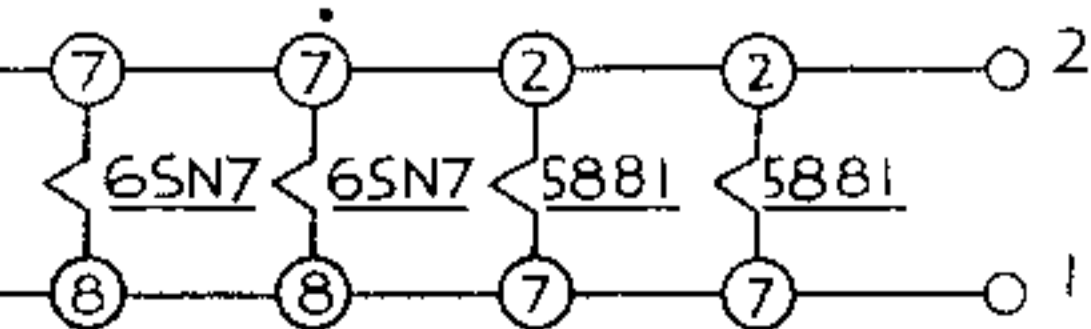
TECHNICAL SPECIFICATIONS

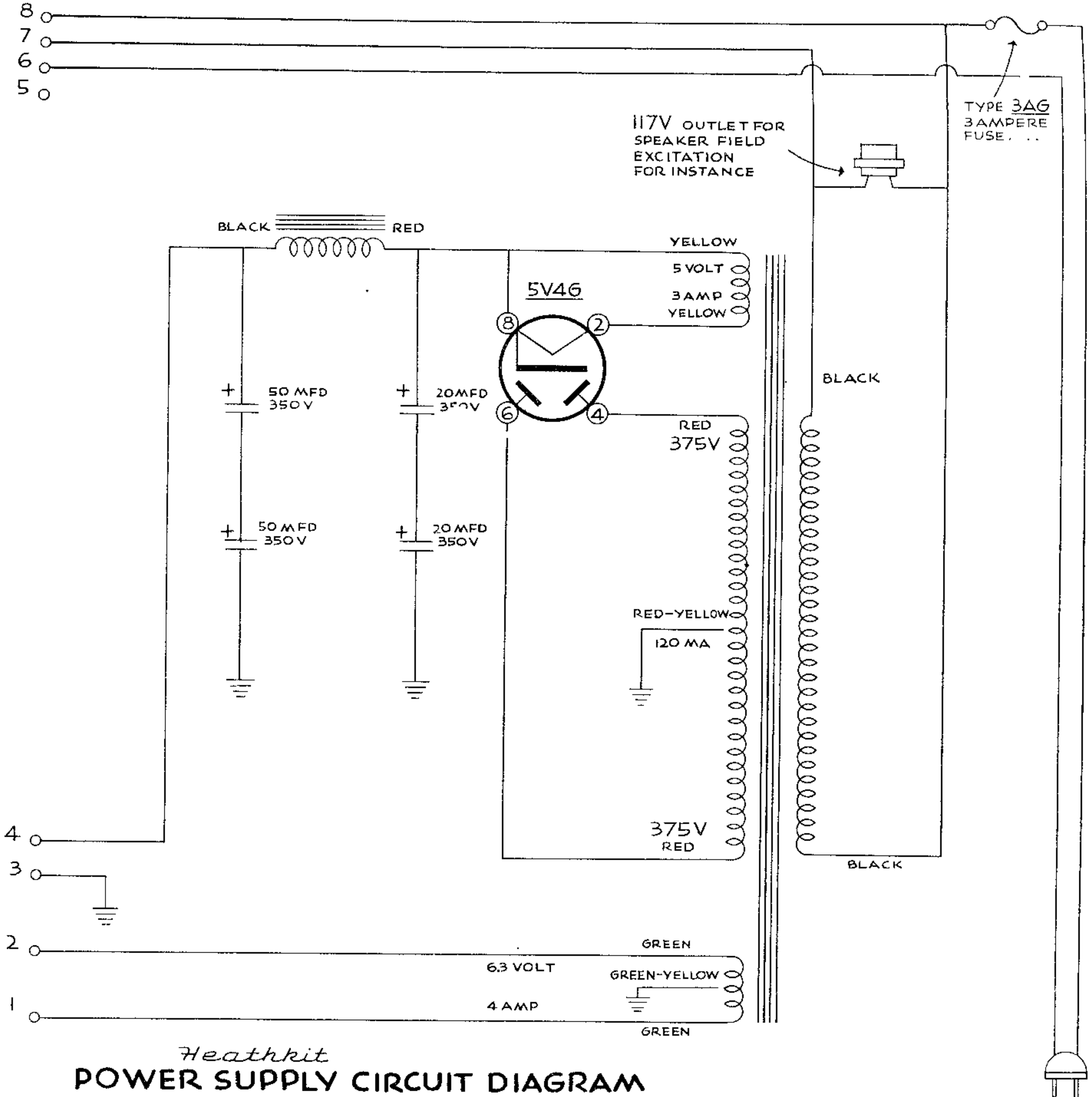
Amplifier and Power Supply (W-2M)

Tube Complement	2 - 6SN7GT; 2-5881; 1 - 5V4G
Frequency response	within 1 db from 10 cycles to 100 KC.
Harmonic distortion at 5 watt output	less than 0.5% between 20 cycles and 20 KC
IM distortion at 5 watt equivalent output. .	0.5% using 60 and 3000 cycles.
Output impedance.	4, 8 or 16 ohms .
Input voltage for 5 watt output75 volts across 2.2 megohms
Power requirements.	105-125 volts 50/60 cycles 120 watts.
Overall dimensions (each unit)	7" high x 5½" wide x 11" long.



Heathkit MODEL W-2
AMPLIFIER CIRCUIT DIAGRAM





Heathkit
POWER SUPPLY CIRCUIT DIAGRAM