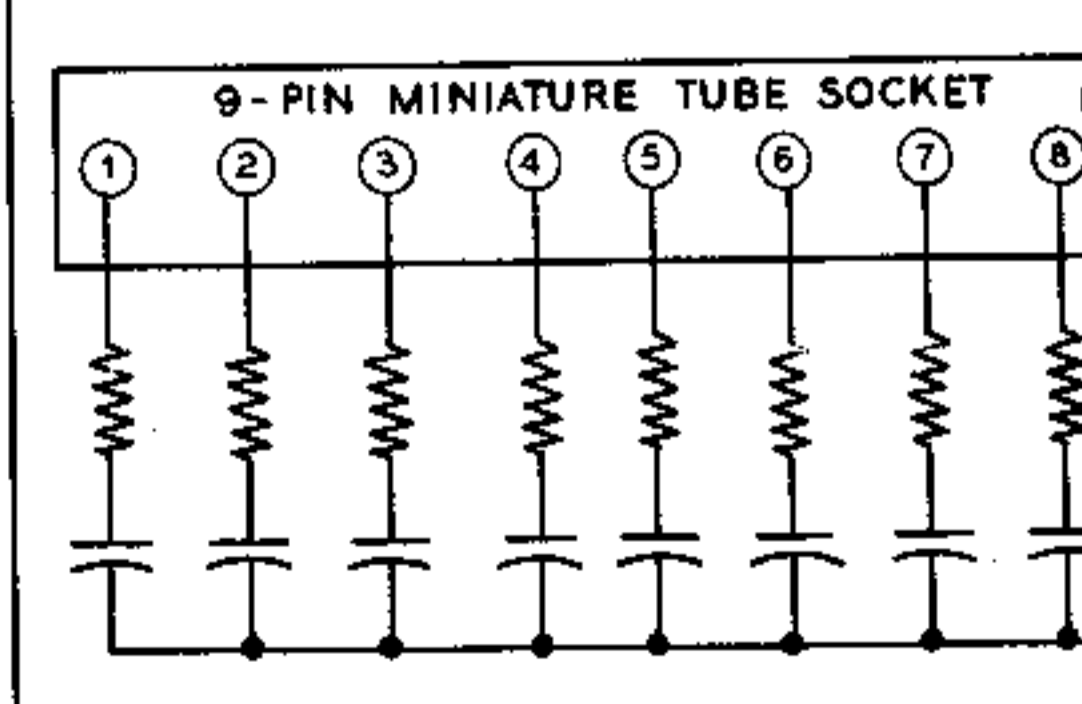
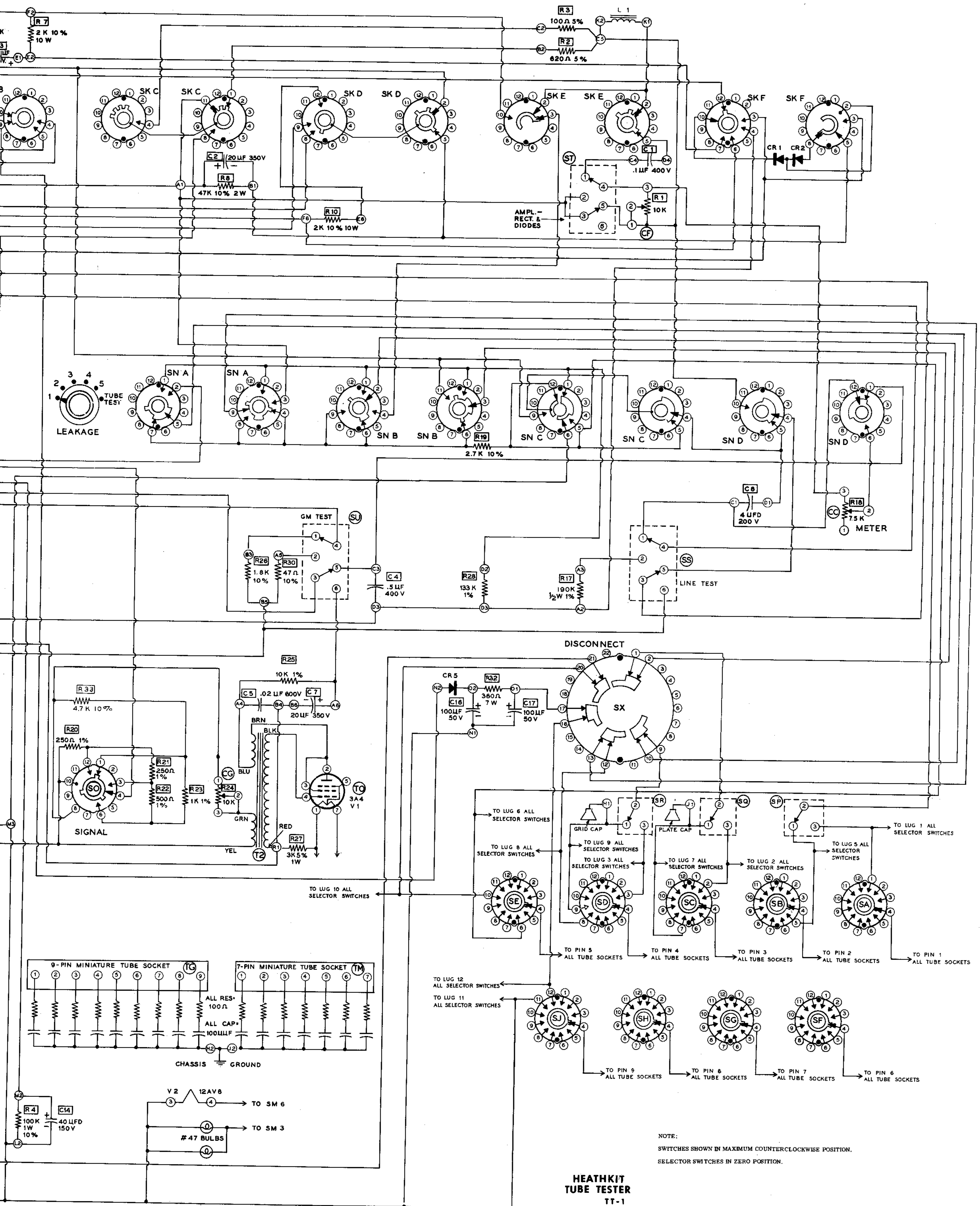
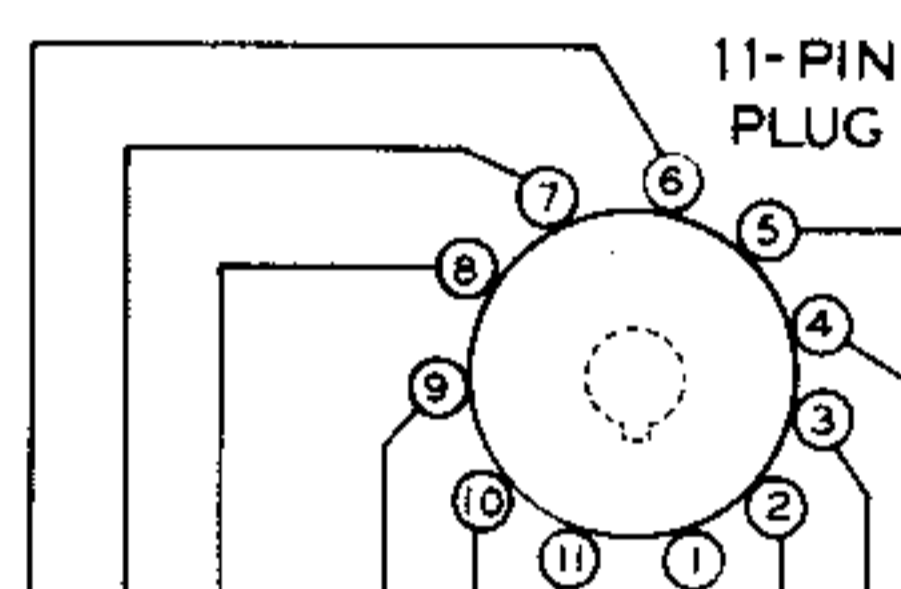
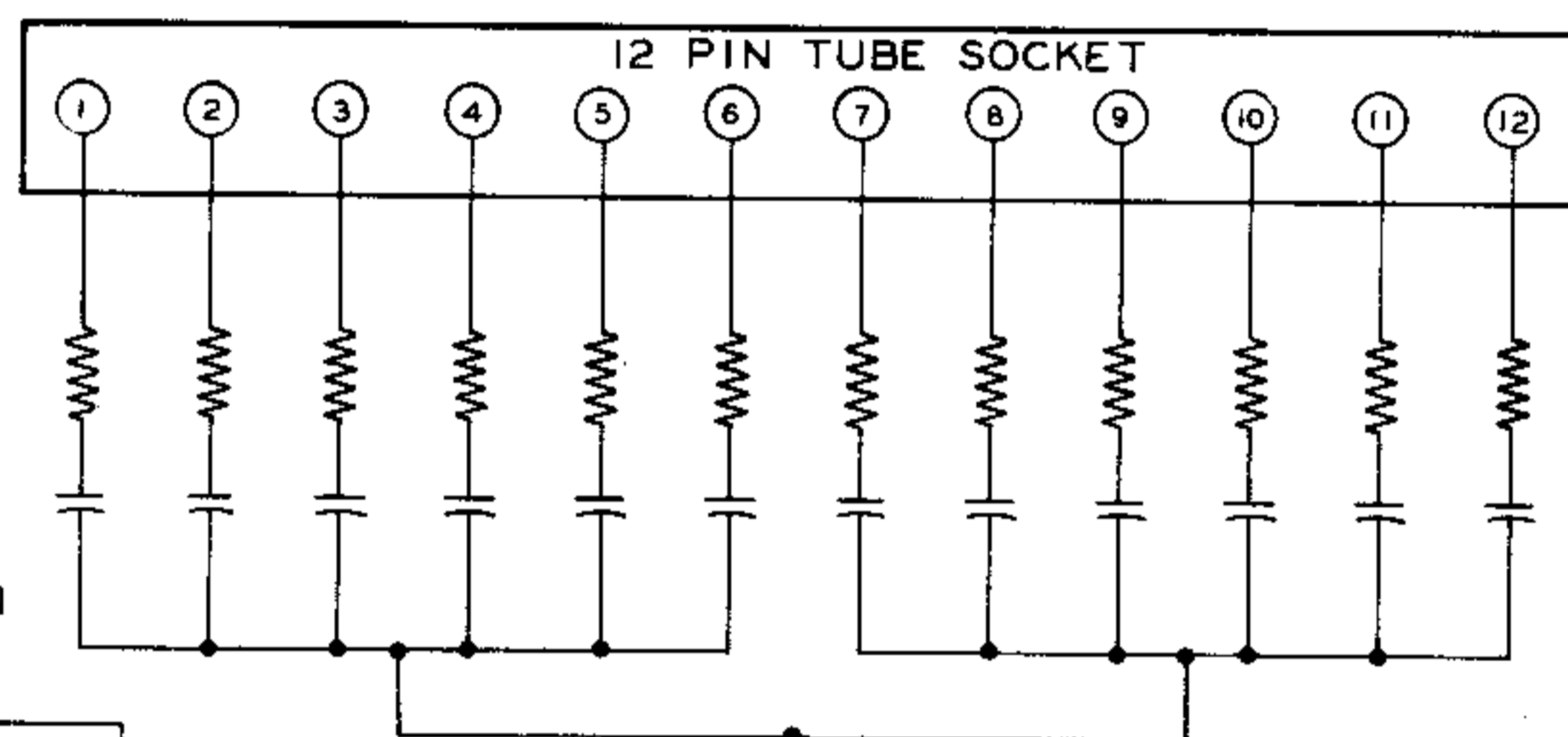
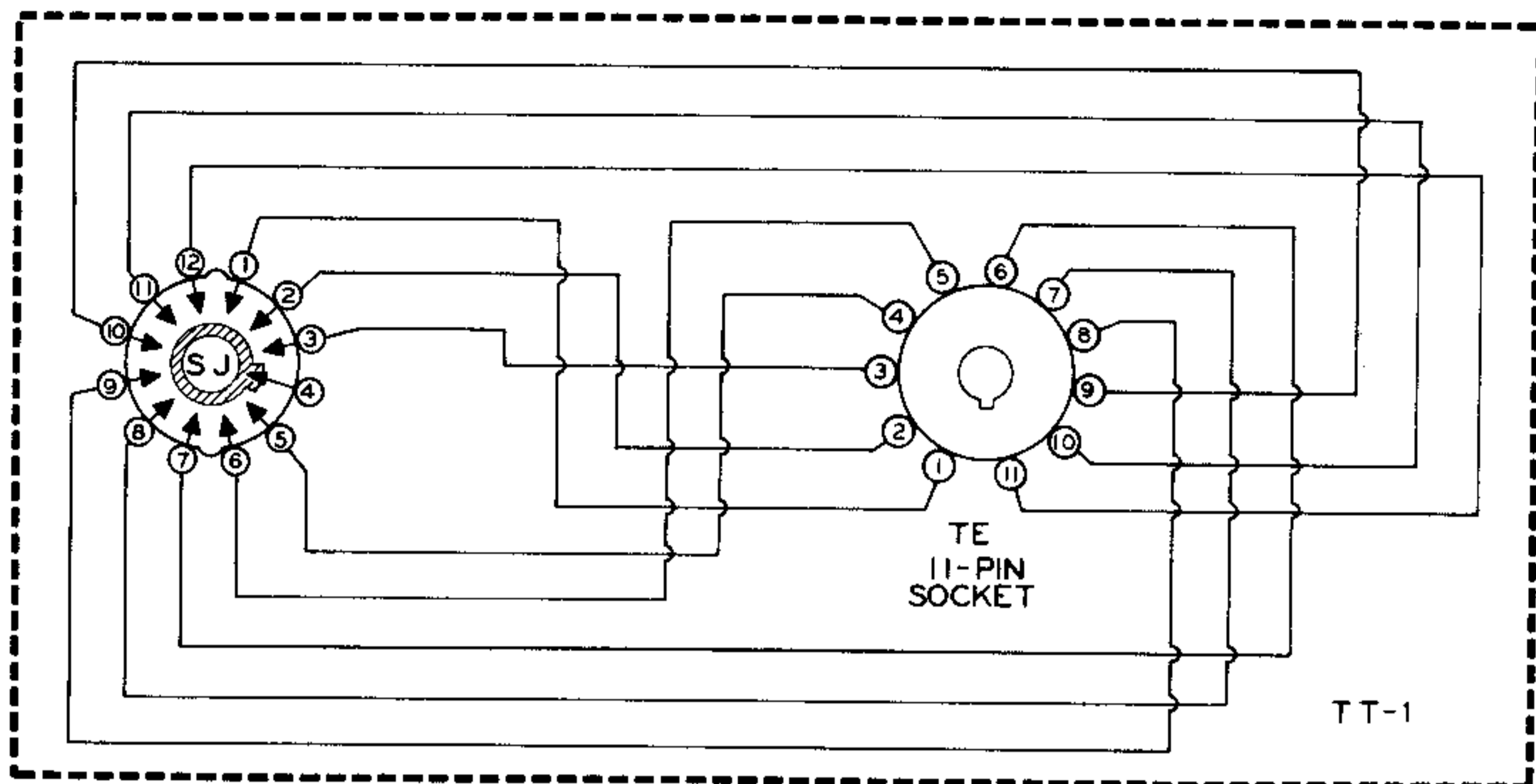


○ TL
○
LINE INPUT
TC
LINE OUTPUT

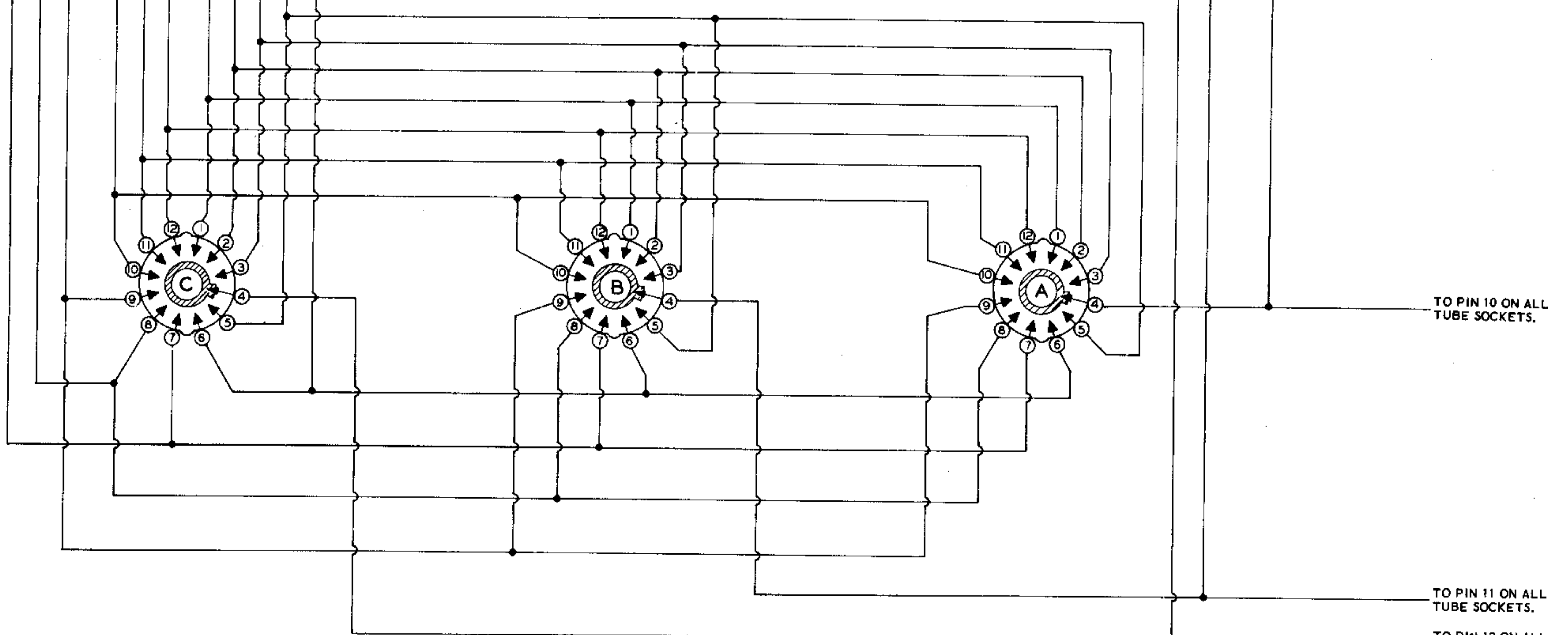
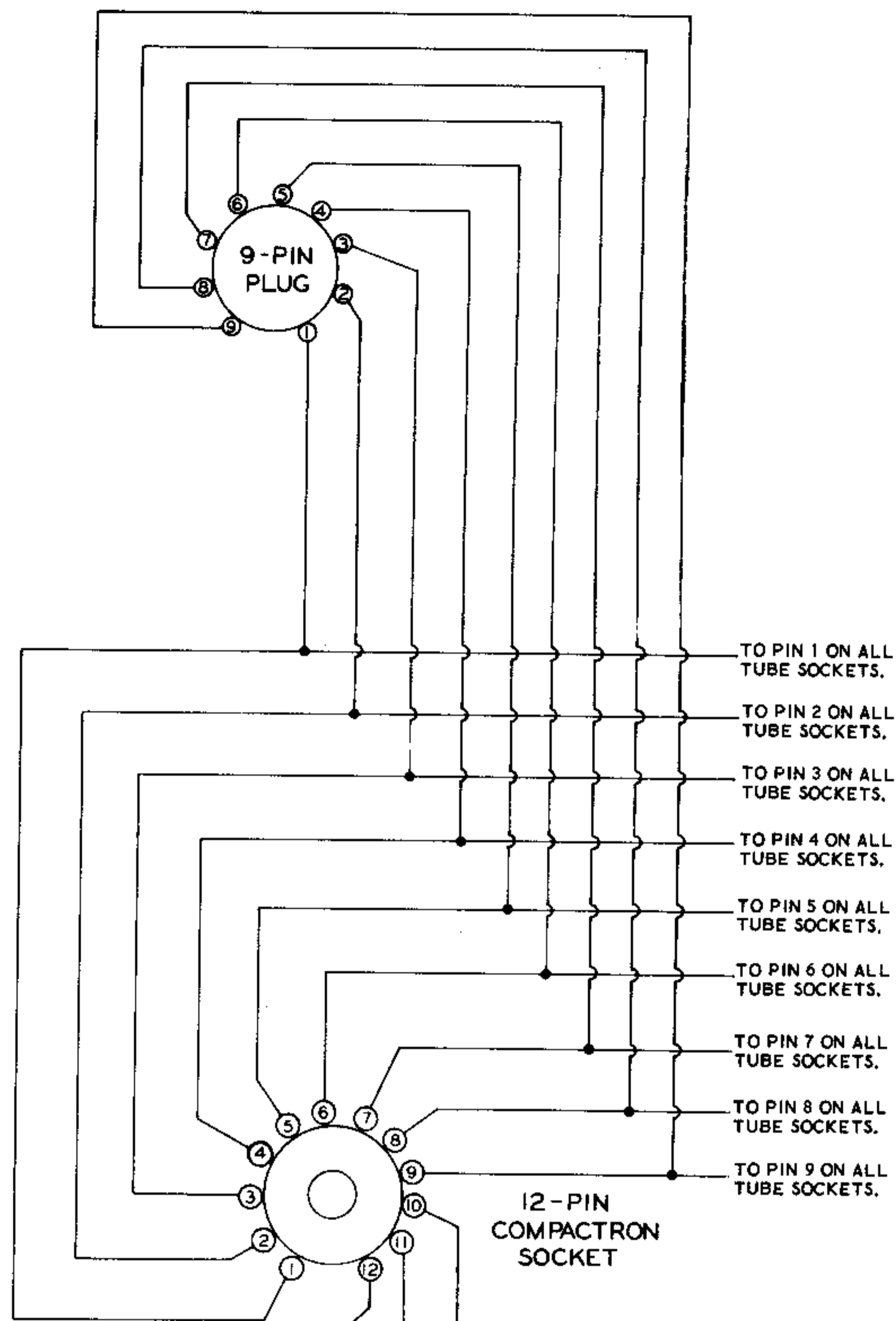


PILLOT LIGHT TEST SOCKET IN CENTER OF LARGE 7-PIN TUBE SOCKET





TTA-1-1 CHASSIS



**SCHEMATIC OF THE HEATHKIT
TUBE SOCKET ADAPTER
MODEL TT-1A**