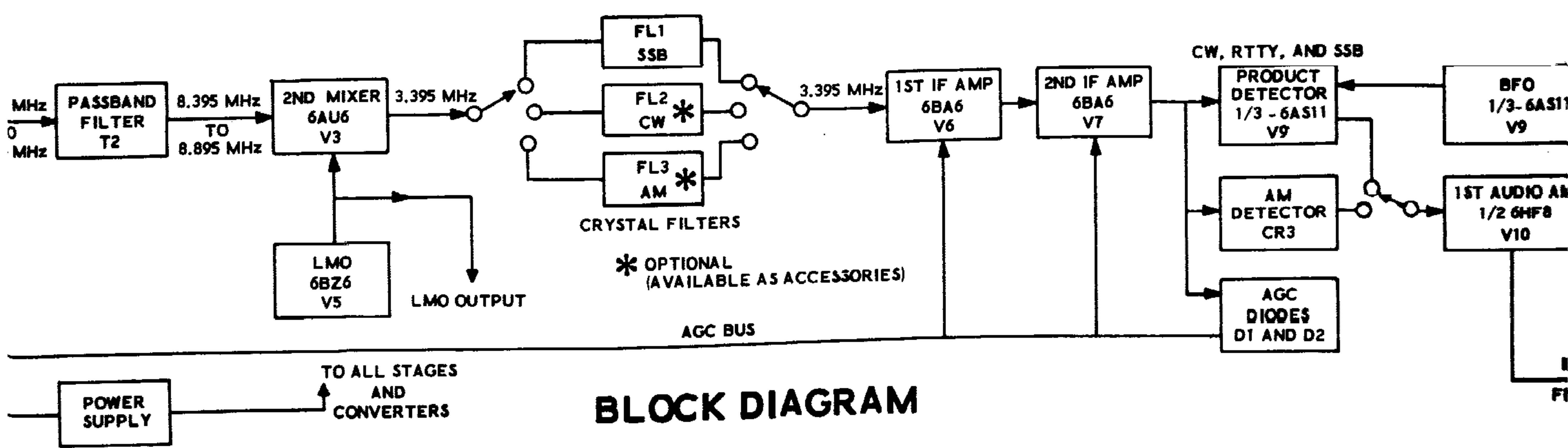
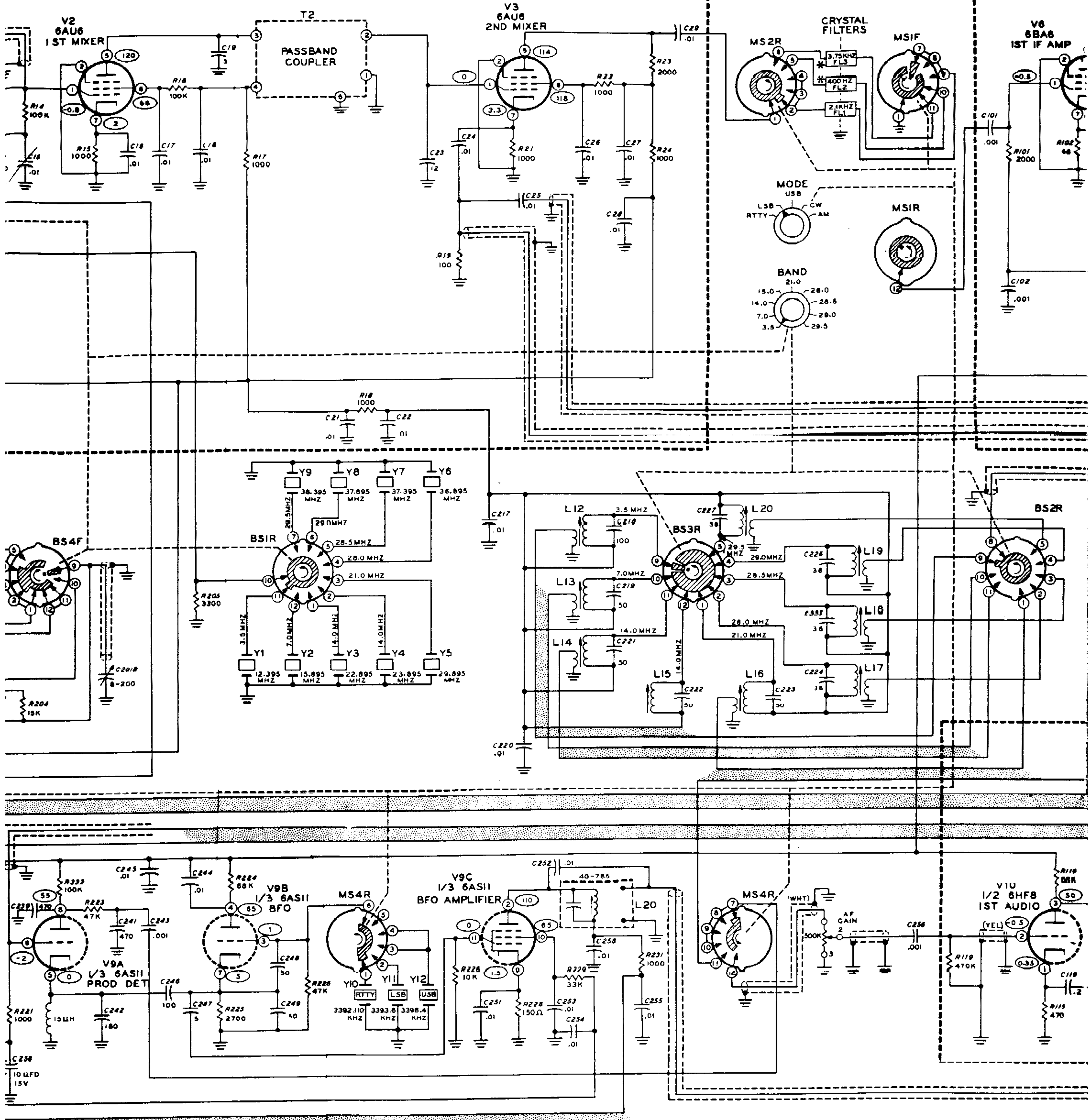
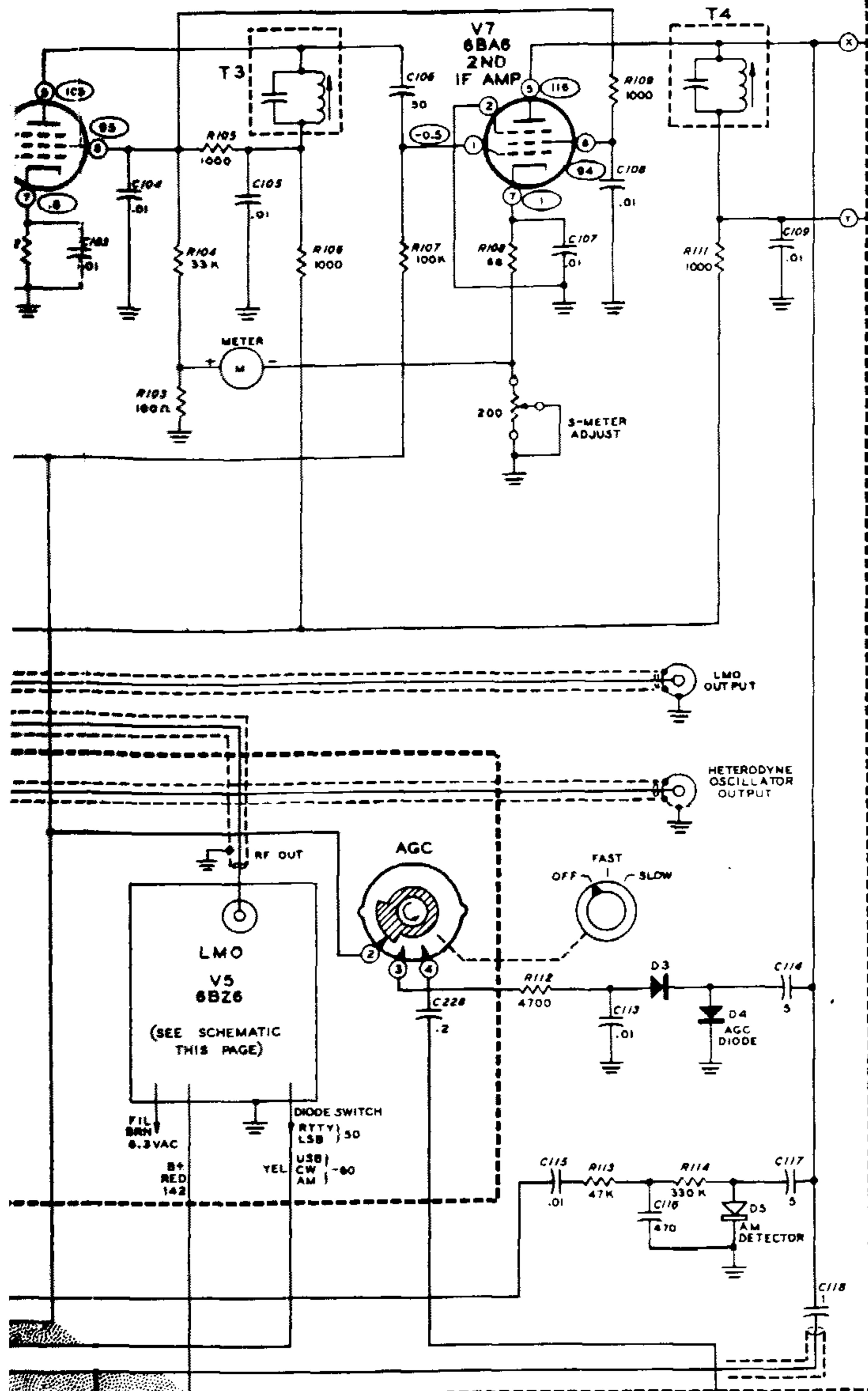


RF CIRCUIT BOARD



IF CIRCUIT BOARD



SCHEMATIC OF THE  
HEATHKIT®  
SSB AMATEUR RECEIVER  
MODEL SB-301

1. RESISTOR AND CAPACITOR NUMBERS ARE IN THE FOLLOWING GROUPS:  
 0-99 PARTS MOUNTED ON THE RF CIRCUIT BOARD  
 100-199 PARTS MOUNTED ON THE IF CIRCUIT BOARD  
 200-299 PARTS MOUNTED ON THE CHASSIS
2. ALL RESISTORS ARE 1/2 WATT UNLESS MARKED OTHERWISE. RESISTOR VALUES ARE IN OHMS (K = 1000, MEG = 1,000,000).
3. CAPACITOR VALUES LESS THAN 1 ARE IN  $\mu\text{fd}$ . VALUES OF 1 AND ABOVE ARE IN  $\mu\text{f}$  UNLESS THEY ARE MARKED OTHERWISE.
4. ○ THIS SYMBOL INDICATES A DC VOLTAGE MEASUREMENT, TAKEN WITH AN 11 MEGOHM VTVM, FROM THE POINT INDICATED TO CHASSIS GROUND. VOLTAGES MAY VARY  $\pm 10\%$ .
5. ALL VOLTAGES ARE DC POSITIVE UNLESS MARKED OTHERWISE.
6. REFER TO THE CHASSIS PHOTOGRAPHS AND CIRCUIT BOARD X-RAY VIEWS FOR THE PHYSICAL LOCATION OF PARTS.
7. ( ) INDICATES COLOR CODE OF COAXIAL CABLE.
8. DIODE SYMBOLS ARE AS FOLLOWS:  $\nabla$  FOR GERMANIUM DIODES,  $\nabla$  FOR SILICON DIODES.
9. SWITCH WAFERS ARE IDENTIFIED AS IN THE FOLLOWING EXAMPLE:  
 FRONT PANEL NAME OF SWITCH: BS-BAND SWITCH, MS-MODE SWITCH  
 WAFER NUMBER, WITH THE SWITCH VIEWED FROM THE FRONT PANEL: 2 F  
 F = FRONT SIDE OF THE WAFER, R = REAR SIDE OF THE WAFER.
10. ARROW ( ) INDICATES COUNTERCLOCKWISE ROTATION OF KNOB (VIEWED FROM KNOB END).
11. NC MEANS NO CONNECTION.
12. \* INDICATES ACCESSORY CRYSTAL FILTERS.

VOLTAGE CHART  
PIN 6 OF HET OSC V4

BAND	VOLTAGE
3.5	2.8
7.0	2.9
14.0	2.8
15.0	2.9
21.0	2.8
28.0	2.4
28.5	2.5
29.0	2.4
29.5	2.7

