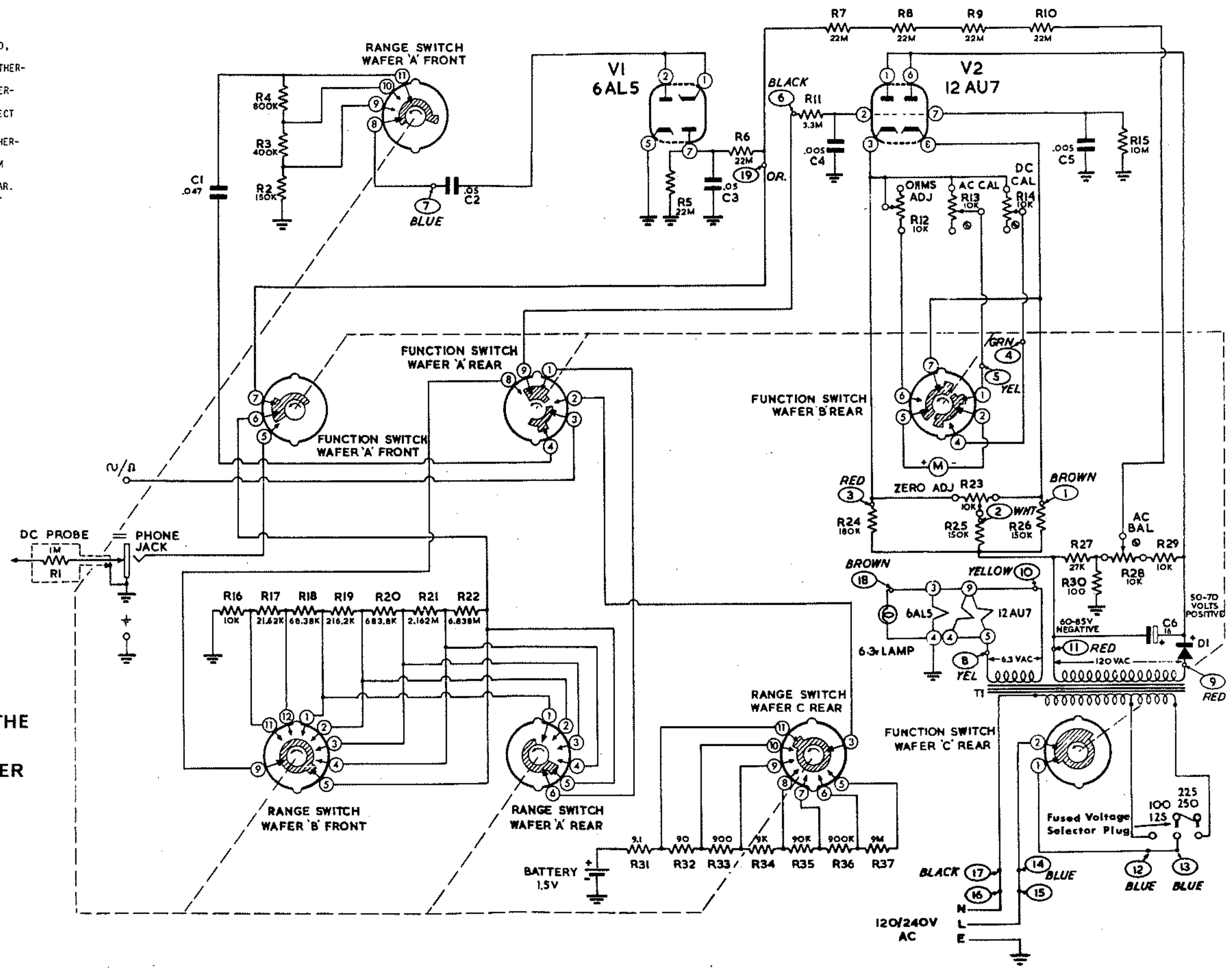


NOTES  
 ALL RESISTANCES IN OHMS K = 1000,  
 MEG = 1,000,000.  
 ALL RESISTORS 1/2 WATT UNLESS OTHER-  
 WISE SPECIFIED.  
 ALL CAPACITORS IN  $\mu$ F UNLESS OTHER-  
 WISE SPECIFIED.  
 ALL VOLTAGES MEASURED WITH RESPECT  
 TO CHASSIS GROUND.  
 ALL VOLTAGES POSITIVE UNLESS OTHER-  
 WISE SPECIFIED.  
 VOLTAGES TAKEN WITH AN 11 MEGOHM  
 VVM.  
 ALL SWITCHES VIEWED FROM THE REAR.  
 RANGE SWITCH IN MAXIMUM COUNTER-  
 CLOCKWISE POSITION.  
 FUNCTION SWITCH IN AC POSITION.  
 FIGURES RINGED THUS:  $\text{\textcircled{0}}$   
 ARE CONNECTIONS  
 TO CIRCUIT BOARD.



**SCHEMATIC OF THE  
 HEATHKIT  
 VALVE VOLTMETER  
 MODEL IM-28U**