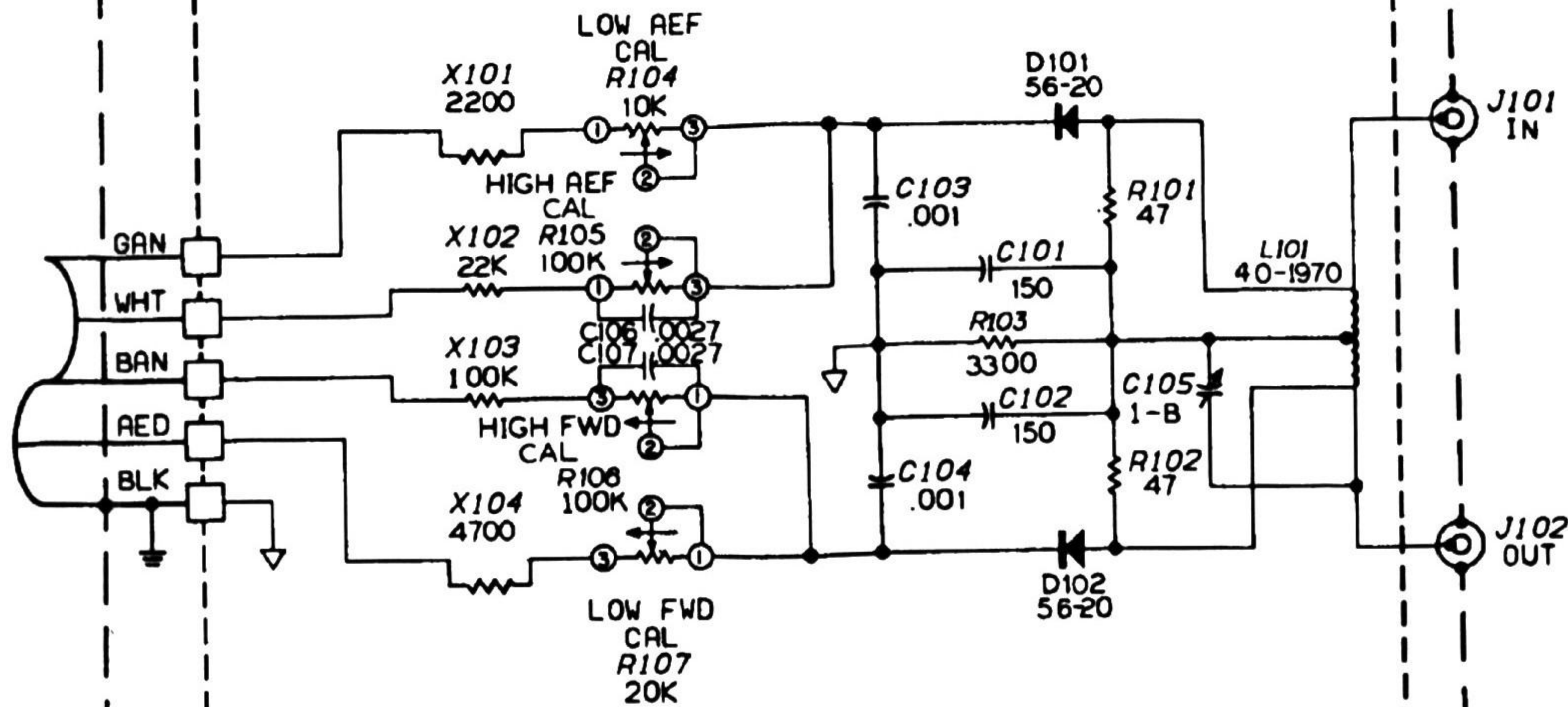


REMOTE SENSOR

(100-1749)

SENSOR CIRCUIT BOARD

(B5-2038)



SCHEMATIC OF THE HEATHKIT® HF DUAL WATTMETER MODEL HM-2140-A

NOTES:

1. ALL RESISTOR VALUES ARE IN OHMS (Ω):
(K - 1000).
2. ALL RESISTORS ARE 1/4-WATT, 5% TOLERANCE
UNLESS OTHERWISE NOTED.
3. CAPACITOR VALUES LESS THAN 1 ARE IN μ F (MICRO-
FARADS). VALUES OF 1 OR GREATER ARE IN pF
(PICOFARADS) UNLESS OTHERWISE MARKED.
4. \equiv THIS SYMBOL INDICATES A CHASSIS GROUND.
5. ∇ THIS SYMBOL INDICATES A CIRCUIT BOARD
GROUND.
6. \square THIS SYMBOL INDICATES A CIRCUIT BOARD
WIRE CONNECTION.
7. $\text{resistor symbol with arrow}$ THIS SYMBOL INDICATES THE CLOCKWISE RO-
TATION OF A CONTROL.
8. \circ THIS SYMBOL INDICATES A DC VOLTAGE
MEASURED FROM THE POINT INDICATED
TO CIRCUIT BOARD GROUND.

Part of 595-2969-02

Copyright © 1983
Heath Company
All Rights Reserved
Printed in the United States of America

SWITCH CIRCUIT BOARD

