

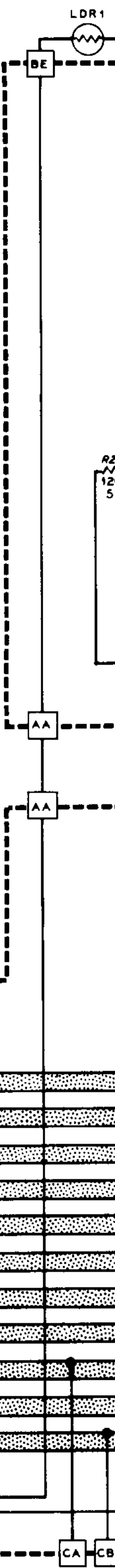
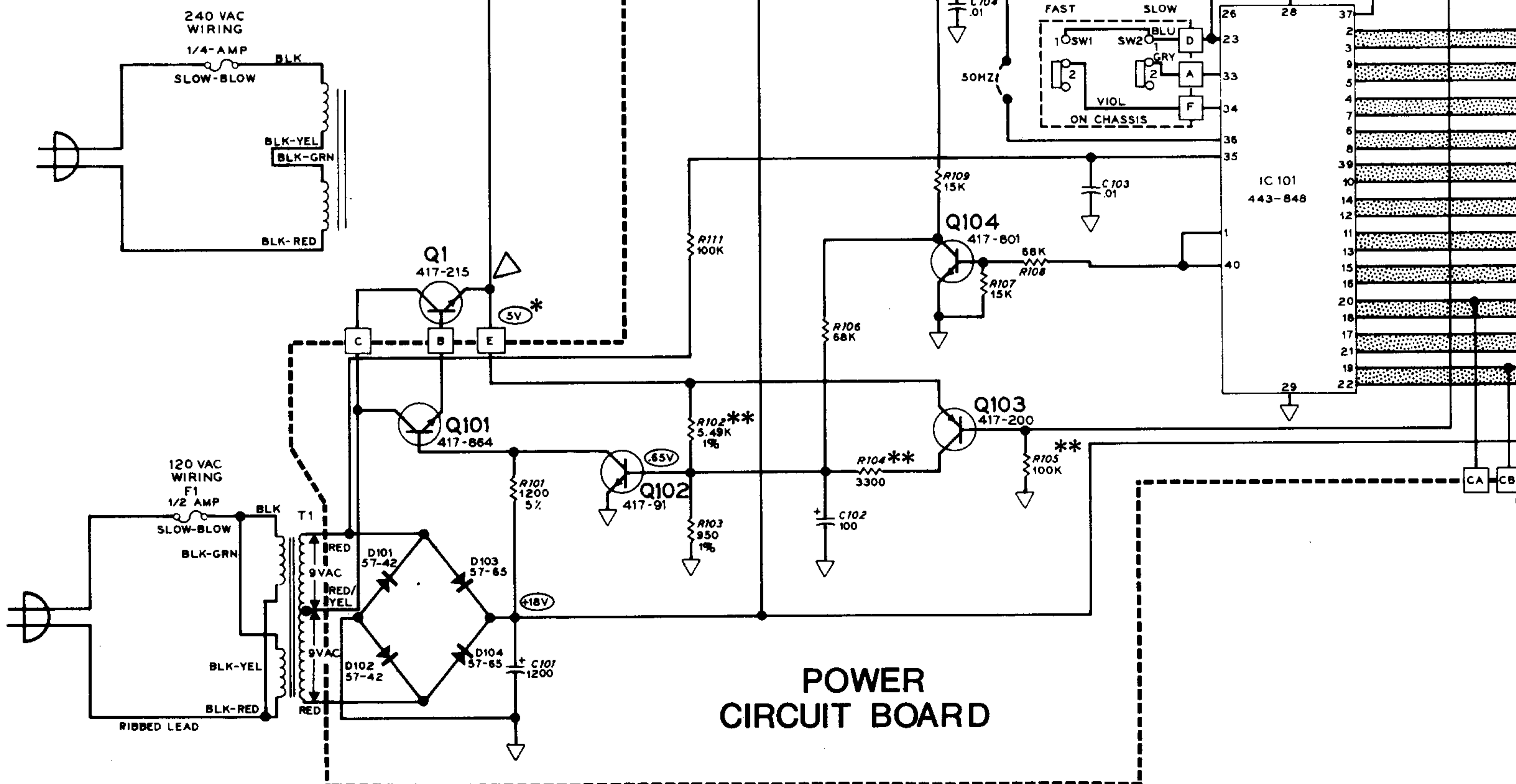
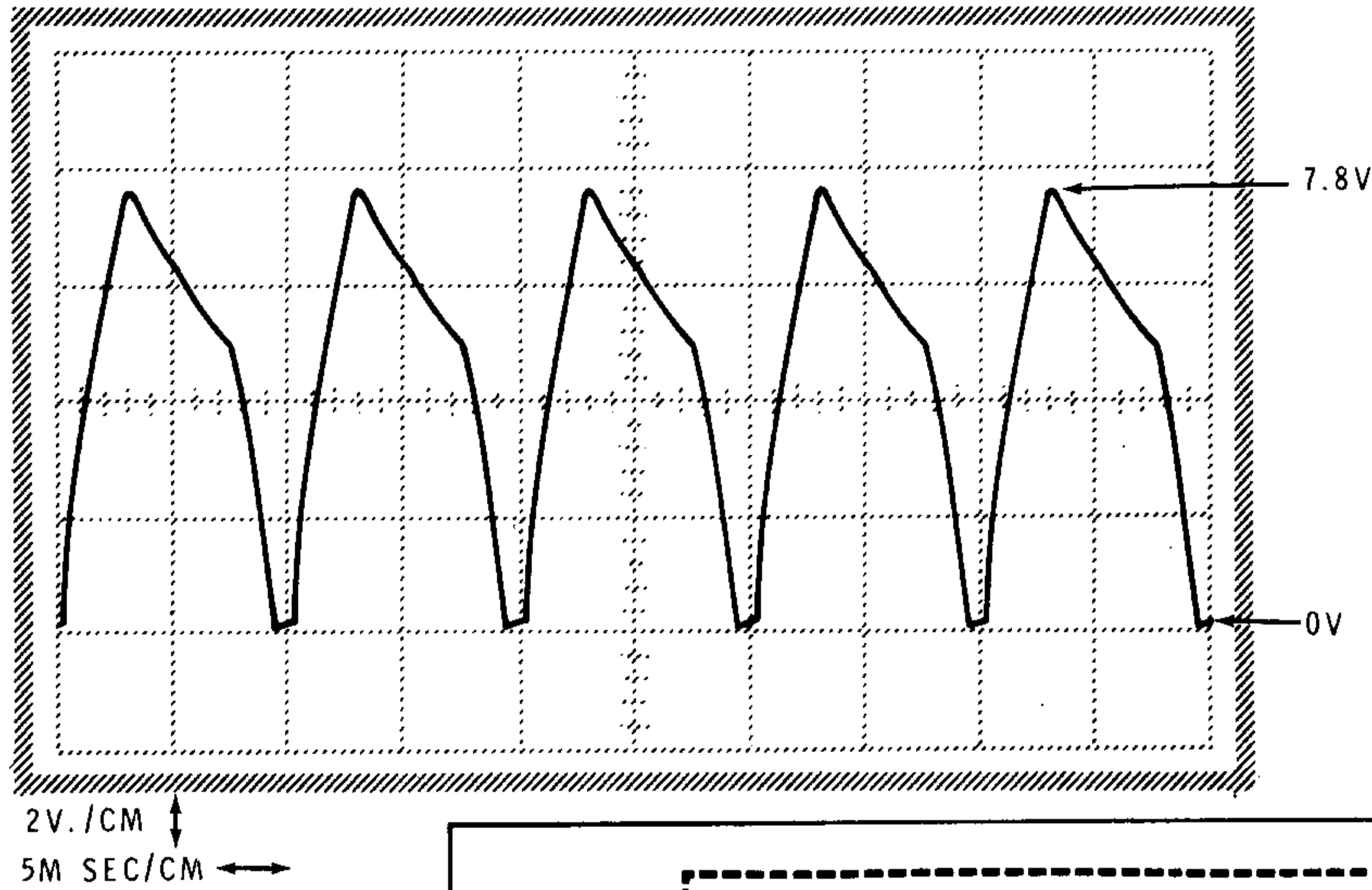
# HEATHKIT® DIGITAL FLOOR CLOCK / DIGITAL SHELF CLOCK MODEL GC-1195/GC-1197

**NOTES:**

1. ALL RESISTORS ARE 1/2-WATT. VALUES ARE SHOWN IN OHMS (K=1000).
2. CAPACITOR VALUES ARE SHOWN IN MICROFARADS.
3. SYMBOLS:  
 = LETTERED CIRCUIT BOARD HOLE.  
 = CIRCUIT BOARD GROUND.  
 = CHASSIS GROUND.  
 = DC VOLTAGE.  
 = WAVEFORM
4. COMPONENTS ARE NUMBERED ON THE SCHEMATIC IN THE FOLLOWING GROUPS:  
 1 - 10 PARTS ON THE CHASSIS  
 101 - 150 PARTS ON THE POWER CIRCUIT BOARD.  
 201 - 250 PARTS ON THE DISPLAY CIRCUIT BOARD.

\* THIS VOLTAGE IS NOT FILTERED AND MAY VARY GREATLY ON MOST VOLTMETERS. THIS VOLTAGE ALSO DEPENDS ON THE LDR RESISTANCE AND WILL BE LESS IN DIM AMBIENT LIGHT.

\*\* THESE RESISTORS MAY BE A DIFFERENT VALUE. SEE PAGE 36 OF THE MANUAL.



# HEATHKIT®

## DIGITAL FLOOR CLOCK / DIGITAL SHELF CLOCK

### MODEL GC-1195/GC-1197

RESISTORS ARE 1/2-WATT. VALUES ARE SHOWN IN

4. COMPONENTS ARE NUMBERED ON THE SCHEMATIC IN THE FOLLOWING GROUPS:

VALUES ARE SHOWN IN MICROFARADS.

- 1 - 10 PARTS ON THE CHASSIS
- 101 - 150 PARTS ON THE POWER CIRCUIT BOARD.
- 201 - 250 PARTS ON THE DISPLAY CIRCUIT BOARD.

DRILL HOLE FOR POWER CIRCUIT BOARD HOLE.

CONNECT TO POWER CIRCUIT BOARD GROUND.

CONNECT TO CHASSIS GROUND.

5V DC VOLTAGE.

WAVEFORM

\* THIS VOLTAGE IS NOT FILTERED AND MAY VARY GREATLY ON MOST VOLTMETERS. THIS VOLTAGE ALSO DEPENDS ON THE LDR RESISTANCE AND WILL BE LESS IN DIM AMBIENT LIGHT.

\*\* THESE RESISTORS MAY BE A DIFFERENT VALUE. SEE PAGE 36 OF THE MANUAL.

