

MECHANICAL DATA

Bulb	ST-14
Base	Medium Octal 5-Pin
Basing	5L
Cathode	Unipotential
Mounting Position	Any

ELECTRICAL DATA

HEATER CHARACTERISTICS

Heater Voltage	5.0 Volts
Heater Current	2.0 Amperes

RATINGS (Design Center Values)

Peak Inverse Plate Voltage	1400 Volts	Max.
Peak Plate Current Each Plate	525 Ma	Max.
Tube Voltage Drop at 175 Ma Each Plate	25 Volts	Max.

CHARACTERISTICS AND TYPICAL OPERATION

Full-Wave Rectifier-Capacitor Input to Filter

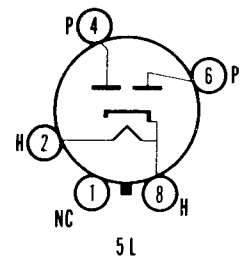
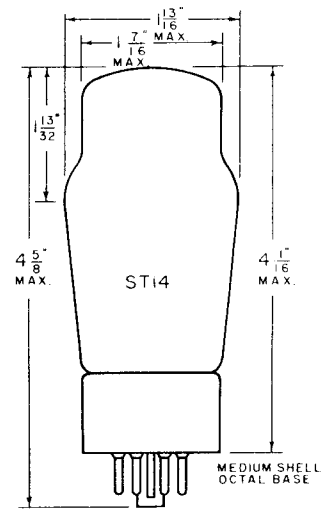
AC Plate Voltage Each Plate (RMS)	375 Volts	Max.
DC Output Current	175 Ma	Max.
Effective Plate Supply Impedance Per Plate	100 Ohms	Min.

Choke Input to Filter

AC Voltage Per Plate (RMS)	500 Volts	Max.
DC Output Current	175 Ma	Max.
Input Choke Value	4.0 Henrys	Min.

QUICK REFERENCE DATA

Cathode type high vacuum rectifier designed for full-wave applications. It is identical to the 83V except that an octal base is used. The cathode is connected internally to the heater.



SYLVANIA ELECTRIC PRODUCTS INC.

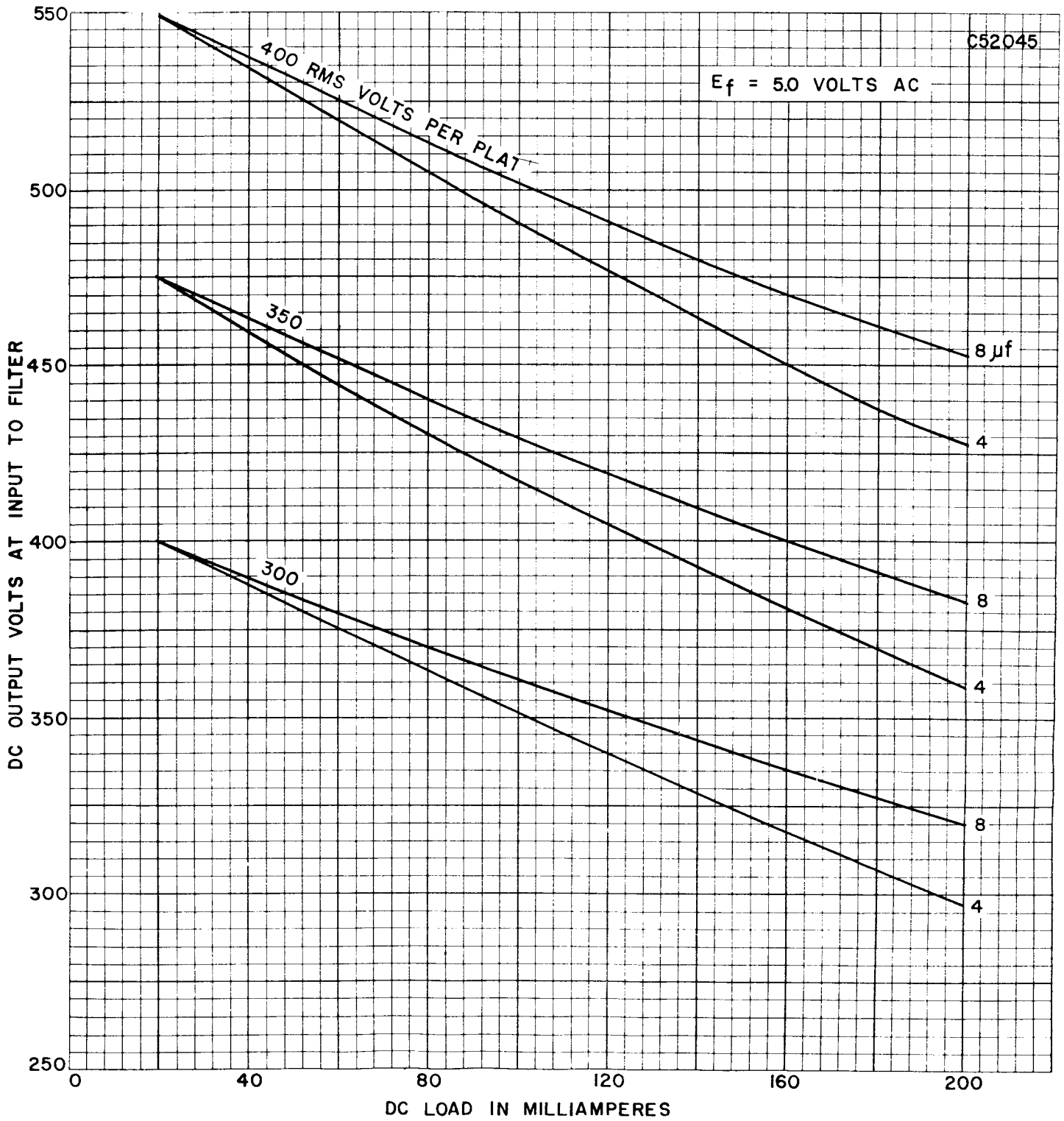
Prepared and Released By The TECHNICAL PUBLICATIONS SECTION EMPORIUM, PENNSYLVANIA

APRIL 1953

SYLVANIA

5V4G

AVERAGE OPERATING CHARACTERISTICS
CAPACITOR INPUT TO FILTER



AVERAGE OPERATING CHARACTERISTICS
CHOKE INPUT TO FILTER

