

TUNG-SOL

CATHODE RAY

COATED UNIPOTENTIAL CATHODE

HEATER

6.3 VOLTS 0.6 AMPERE

AC OR DC

ANY MOUNTING POSITION

THE 12JP4 IS A DIRECTLY VIEWED PICTURE TUBE DESIGNED FOR USE IN TELEVISION RECEIVERS. THE TUBE UTILIZES MAGNETIC DEFLECTION AND MAGNETIC FOCUS TO PROVIDE 7 3/4" X 10 1/4" PICTURES WITH HIGH BRILLIANCE AND DEFINITION.

DESCRIPTION

FLUORESCENCE	WHITE
PERSISTENCE	MEDIUM
DEFLECTION AND FOCUSING METHOD	MAGNETIC
MAXIMUM DEFLECTION ANGLE (APPROX.)	50 DEGREES
BULB CONTACT	RECESSED SMALL BALL CAP

DIRECT INTERELECTRODE CAPACITANCES

CATHODE TO ALL OTHER ELECTRODES: K TO (H+G ₁ +G ₂ +A)	6	μf
GRID #1 TO ALL OTHER ELECTRODES: G ₁ TO (H+K+G ₂ +A)	7.9	μf

RATINGS

INTERPRETED ACCORDING TO RMA STANDARD MB-220

HEATER VOLTAGE	6.3	VOLTS
MAXIMUM ANODE VOLTAGE	12 000	VOLTS
MAXIMUM GRID #2 VOLTAGE	410	VOLTS
MAXIMUM GRID #1 VOLTAGE:		
NEGATIVE BIAS VOLTAGE	125	VOLTS
POSITIVE BIAS VOLTAGE	0	VOLTS
POSITIVE PEAK VOLTAGE	2	VOLTS
MAXIMUM PEAK HEATER-CATHODE VOLTAGE: ^A		
HEATER NEGATIVE WITH RESPECT TO CATHODE	125	VOLTS
HEATER POSITIVE WITH RESPECT TO CATHODE	125	VOLTS

TYPICAL OPERATING CONDITIONS AND CHARACTERISTICS

HEATER VOLTAGE	6.3	VOLTS
HEATER CURRENT	0.6	AMP.
ANODE VOLTAGE ^B	10 000	VOLTS
GRID #2 VOLTAGE	250	VOLTS
GRID #1 VOLTAGE ^C	-27 TO -63	VOLTS
FOCUSING COIL CURRENT (APPROX.) ^D	146	MA.
SPOT POSITION (UNDEFLECTED) ^E		WITHIN 25 MILLIMETER RADIUS CIRCLE
MAXIMUM GRID #1 CIRCUIT RESISTANCE	1.5	MEG.

^A CATHODE SHOULD BE RETURNED TO ONE SIDE OR TO THE MID-TAP OF THE HEATER TRANSFORMER WINDING.

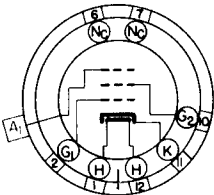
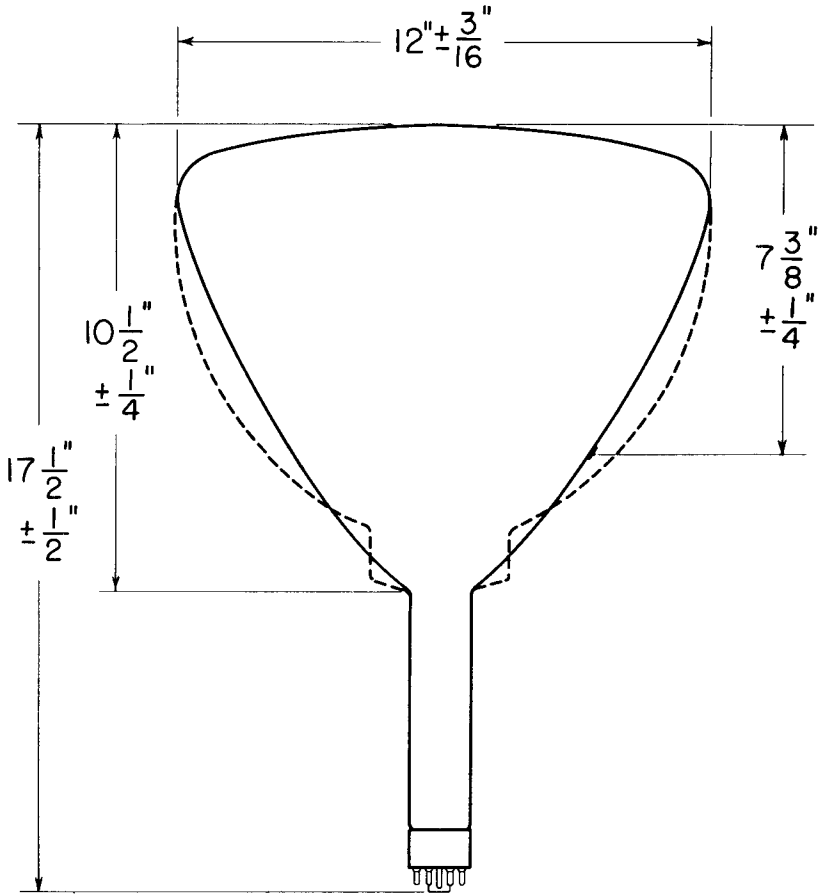
^B ANODE CONTACT ALIGNS WITH VACANT PIN POSITION #3 ± 10 DEGREES.

^C VISUAL EXTINCTION OF UNDEFLECTED FOCUSED SPOT.

^D FOR STANDARD FOCUS COIL WITH THE COMBINED GRID #1 BIAS VOLTAGE AND VIDEO SIGNAL VOLTAGE ADJUSTED TO PRODUCE A HIGHLIGHT BRIGHTNESS OF 25 FOOT LAMBERTS ON 7 3/4" X 10 1/4" PICTURE AREA.

^E WHEN THE TUBE IS OPERATED AT NORMAL HEATER VOLTAGE; WITH $E_b = 10,000$ VOLTS, AND $E_{g2} = 250$ VOLTS, AND E_{g1} SET AT SUCH A VALUE AS WILL AVOID DAMAGE TO THE SCREEN AND THE TUBE SHIELDED AGAINST EXTERNAL INFLUENCES: THE UNDEFLECTED AND UNFOCUSED SPOT WILL FALL WITHIN A CIRCLE OF 25 MM. RADIUS, THE CENTER OF WHICH COINCIDES WITH THE GEOMETRIC CENTER OF THE TUBE FACE.

TUNG-SOL



SMALL SHELL DUODECAL
7 PIN BASE
120

- 1. HEATER
- 2. GRID NO. 1
- 6. NO CONNECTION
- 7. NO CONNECTION
- 10. GRID NO. 2
- 11. CATHODE
- 12. HEATER
- CAP. ANODE NO. 1

PLATE
2197
MAY 2
1949

