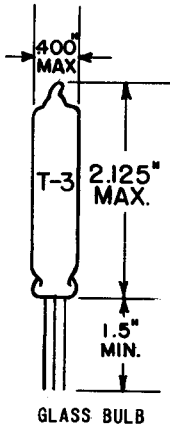


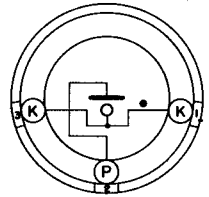
TUNG-SOL

VOLTAGE REGULATOR
SUB-MINIATURE TYPE



COLD CATHODE

ANY MOUNTING POSITION



BOTTOM VIEW
0.016" TINNED
FLEXIBLE LEADS
0.096" CENTER TO CENTER

THE 6542 IS A TWO ELECTRODE, INERT-GAS-FILLED COLD CATHODE SUBMINIATURE TUBE INTENDED FOR USE AS A VOLTAGE REGULATOR. THE TUBE HAS A MAINTAINING VOLTAGE OF APPROXIMATELY 150 VOLTS OVER A CURRENT RANGE OF 5 TO 25 MA. THE 6542 IS EXCELLENT FOR APPLICATIONS WHICH REQUIRE GOOD VOLTAGE REGULATION AND LONG LIFE, CONSISTENT WITH SMALL SIZE AND LOW WEIGHT.

ELECTRICAL DATA

CATHODE

COLD

MECHANICAL DATA

| | | |
|------------------------|----------------------------------------------|--------|
| MOUNTING POSITION | ANY | |
| MAXIMUM OVERALL LENGTH | 2.125 | INCHES |
| MAXIMUM DIAMETER | 0.400 | INCHES |
| WEIGHT (APPROX.) | 0.16 | OUNCES |
| BULB | T-3 | |
| BASE | SUB-MINIATURE FLAT PRESS WITH 3 FLYING LEADS | |

CONTINUED ON FOLLOWING PAGE

PRINTED IN U. S. A.

TUNG-SOL

CONTINUED FROM PRECEDING PAGE

RATINGS
ABSOLUTE VALUES

| | | |
|-----------------------------|--------|------|
| MAXIMUM DC CATHODE CURRENT | 25 | MA. |
| MINIMUM DC CATHODE CURRENT | 5 | MA. |
| MAXIMUM BULB TEMPERATURE | 155 | °C |
| MINIMUM AMBIENT TEMPERATURE | -55 | °C |
| MAXIMUM ALTITUDE | 60 000 | FEET |

CIRCUIT VALUES

| | | |
|-------------------------|---------------------|----|
| MAXIMUM SHUNT CAPACITOR | 0.1 | μf |
| SERIES RESISTOR | SEE OPERATION NOTES | |

EQUIPMENT DESIGN AND RANGE VALUES

| | MIN. | AVG. | MAX. | |
|--------------------------|------|------|------|-------|
| DC ANODE SUPPLY VOLTAGE | 185* | --- | --- | VOLTS |
| ANODE BREAKDOWN VOLTAGE | --- | 150 | 180 | VOLTS |
| TUBE VOLTAGE DROP | 140 | 147 | 168 | VOLTS |
| REGULATION (5 TO 30 MA.) | --- | 0.8 | 6 | VOLTS |

* IN ORDER TO ASSURE STARTING THROUGH TUBE LIFE NOT LESS THAN THE SPECIFIED SUPPLY VOLTAGE SHOULD BE PROVIDED.

CONTINUED ON FOLLOWING PAGE

TUNG-SOL

CONTINUED FROM PRECEDING PAGE

OPERATING NOTES

IN THE OPERATION OF A GLOW TUBE THERE ARE SEVERAL REQUIREMENTS WHICH MUST ALWAYS BE MET. THE FIRST IS THAT THE SUPPLY VOLTAGE MUST ALWAYS BE GREATER THAN THE ANODE BREAKDOWN VOLTAGE AND THE SECOND IS THAT SUFFICIENT RESISTANCE MUST ALWAYS BE PUT IN SERIES WITH THE TUBE IN ORDER TO LIMIT THE CURRENT TO THE MINIMUM AND MAXIMUM VALUES GIVEN IN THE RATINGS.

IN ORDER TO ILLUSTRATE HOW TO CALCULATE THE VALUE OF THE SERIES RESISTANCE A TYPICAL REGULATOR CIRCUIT IS SHOWN IN FIGURE 1.

FROM FIGURE 1 WE SEE THAT V_1 IS THE UNREGULATED SUPPLY VOLTAGE, V_2 IS THE TUBE VOLTAGE DROP ON THE REGULATED VOLTAGE SUPPLIED TO THE LOAD, R_1 IS THE SERIES LIMITING RESISTOR, R_L IS THE VARIABLE LOAD, I_T IS THE TUBE CURRENT AND I_L IS THE LOAD CURRENT.

WE SEE THAT THE TUBE CURRENT WILL BE A MAXIMUM WHEN THE SUPPLY VOLTAGE IS A MAXIMUM (V_1 MAX.); WHEN THE LOAD CURRENT IS A MINIMUM (I_L MIN.); AND WHEN THE TUBE VOLTAGE DROP IS A MINIMUM (V_2 MIN.). THEREFORE THE CONDITIONS WHICH DETERMINE THE LOWER LIMIT FOR THE SERIES RESISTANCE R_1 ARE THAT

$$R_1 > \frac{V_1 \text{ MAX.} - V_2 \text{ MIN.}}{I_T \text{ MAX.} + I_L \text{ MIN.}}$$

IN A LIKE MANNER IT CAN BE SHOWN THAT THE VALUE OF R_1 IN ORDER TO LIMIT THE CURRENT TO THE MINIMUM VALUE REQUIRES THAT

$$R_1 < \frac{V_1 \text{ MIN.} - V_2 \text{ MAX.}}{I_T \text{ MIN.} + I_L \text{ MAX.}}$$

WHEN THESE VALUES HAVE BEEN COMPUTED, ONE SHOULD CHECK TO SEE IF THERE IS SUFFICIENT STARTING VOLTAGE BY THE FOLLOWING RELATION

$$V_1 \text{ MIN.} \cdot \frac{R_L}{R_1 + R_L} < V \text{ STARTING}$$

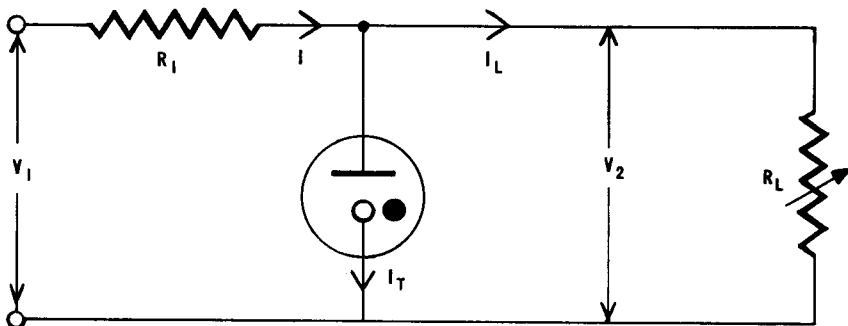
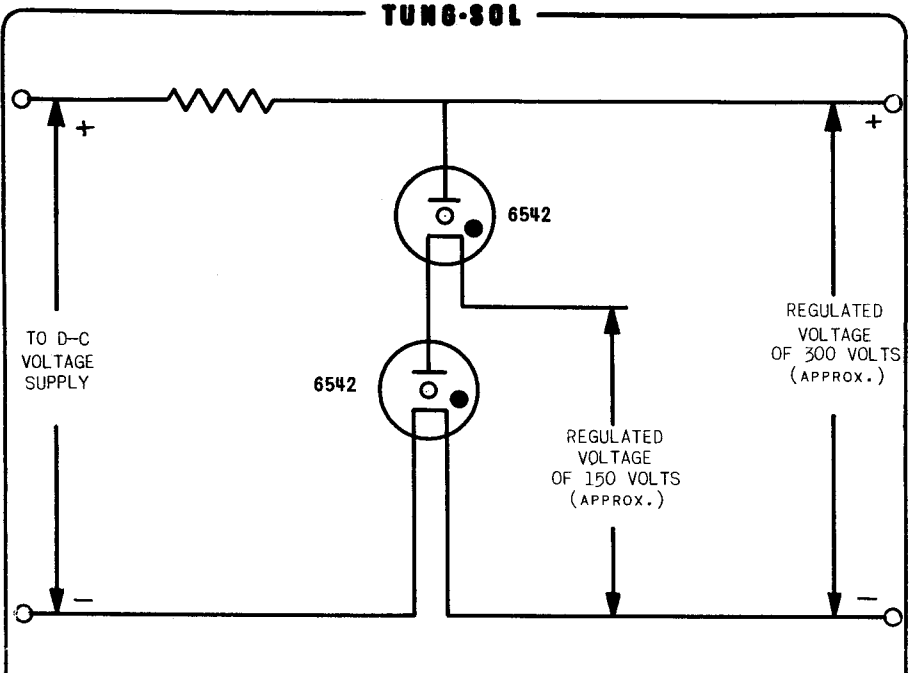
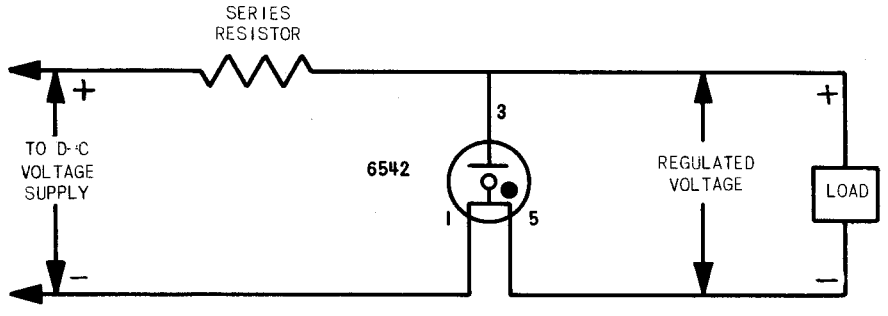


FIGURE 1

CONTINUED ON FOLLOWING PAGE



OPERATION OF REGULATOR TUBES IN SERIES
FIGURE 2



TYPICAL CIRCUIT FOR VOLTAGE REGULATOR
FIGURE 3

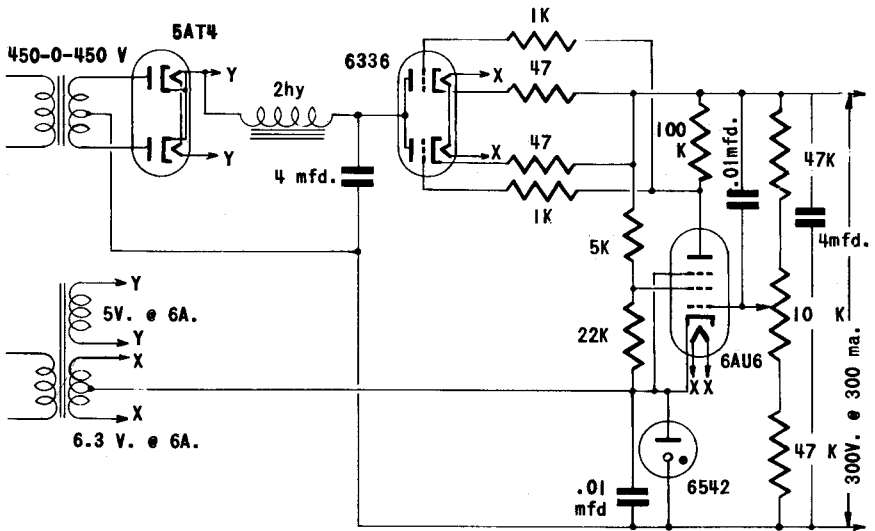
TUNG-SOL

WHEN THESE CALCULATIONS HAVE BEEN MADE AND THERE IS INSUFFICIENT STARTING VOLTAGE, A NEW LOAD CURRENT OF LOWER VALUE MUST BE USED AND THE CALCULATIONS REPEATED.

CIRCUITS WHICH HAVE A CAPACITOR IN SHUNT WITH THE 6542 SHOULD BE LIMITED IN VALUE TO 0.1 μ f, LARGER VALUES MIGHT CAUSE OSCILLATIONS.

OPERATION OF THE 6542 IN PARALLEL IS NOT RECOMMENDED UNLESS A RESISTANCE OF APPROXIMATELY 100 OHMS IS USED IN SERIES WITH EACH 6542 TO EQUILIZE DIVISION OF CURRENT. HOWEVER, IT SHOULD BE NOTED THAT WHILE THIS ENABLES ONE TO HANDLE MORE LOAD CURRENT IT REDUCES THE REGULATION THAT CAN BE OBTAINED.

IF IT IS DESIRED TO OBTAIN HIGHER REGULATING VOLTAGES, TUBES MAY BE OPERATED IN SERIES AS INDICATED IN FIGURE 2. HOWEVER, CARE SHOULD BE TAKEN TO SEE THAT SUFFICIENT SUPPLY VOLTAGE IS AVAILABLE TO START BOTH TUBES.



TYPICAL APPLICATION OF 6542
USED IN VOLTAGE REGULATED POWER SUPPLY

FIGURE 4

