



922

HIGH-VACUUM PHOTOTUBE

CARTRIDGE TYPE

Cathode	Semi-cylindrical	
Photosurface		S2
Window Area		0.4 sq. in. ←
Direct Interlectrode Capacitance		0.5 μpf ←
Overall Length		1-21/32 ± 1/16"
Maximum Diameter		15/16"
Bulb		Lime glass
Terminal Connections (see outline drawing)		Special
Terminal Mounting		RCA Stock No. 9926
Mounting Position		Any

*Maximum Ratings Are Absolute Values***MAXIMUM RATINGS and CHARACTERISTICS**

Anode-Supply Voltage (D.C. or Peak A.C.)	500 max. volts	
Anode Current [•]	30 max. μamp.	
Ambient Temperature	100 max. °C	←
Luminous Sensitivity*	20 μamp./lumen	
Sensitivity at 8000 Angstroms	0.0020 μamp./μwatt	
D-C Resistance of Load:		
<i>With Anode-supply voltage of</i>		
250 volts		1 min. megohm
<i>With anode-supply voltage of</i>		
500 volts		10 min. megohms

[•] On the basis of the use of a sensitive cathode area 1/2" in diameter.

* Subject to variations as explained on sheet PHOTOTUBE SENSITIVITY MEASUREMENTS in the front of this section.

CURVES

for the 922 are the same as those for the 917.

Spectral Sensitivity Characteristic of S2 Photosurface in lime-glass bulb is shown at beginning of this section.

← Indicates a change.

Mar. 20, 1943

RCA VICTOR DIVISION

DATA

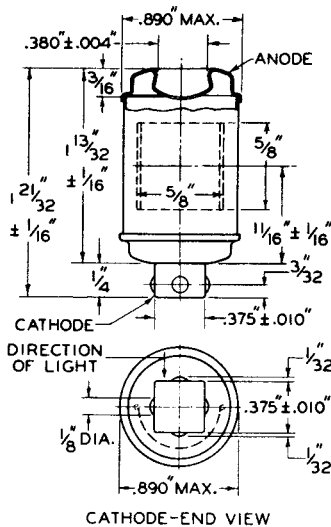
RADIO CORPORATION OF AMERICA, HARRISON, NEW JERSEY

922



922

HIGH-VACUUM PHOTOTUBE



92C-4818R1

← Indicates a change.

Mar. 20, 1943

RCA VICTOR DIVISION
RADIO CORPORATION OF AMERICA, HARRISON, NEW JERSEY

CE-4818R1