



920

TWIN PHOTOTUBE

GAS TYPE

920

Cathodes	Quarter-cylindrical, caesium-coated
Cathode Window Area (Each unit)	0.31 sq. in.
Direct Interelectrode Capacitances:	
Anode to Cathode (Each unit)	1.5 μf
Between Cathodes	1.6 μf
Between Anodes	0.36 μf
Maximum Overall Length	4"
Maximum Diameter	1-3/16"
Bulb	T-9
Base	Small 4-pin

MAXIMUM RATINGS and CHARACTERISTICS

All values are for each unit

Anode-Supply Voltage (D.C. or Peak A.C.)	90 max. volts
Ambient Temperature	50 max. °C
Sensitivity: *	
At 100 cycles	75 $\mu\text{amp./lumen}$
At 1000 cycles	70 $\mu\text{amp./lumen}$
At 5000 cycles	63 $\mu\text{amp./lumen}$
Gas Amplification Factor **	Not over 10
D-C Resistance of Load:	

With anode-supply voltage of 90 volts

For d-c currents { greater than 2.5 $\mu\text{amp.}$ 4 min. megohms
 { less than 2.5 $\mu\text{amp.}$ No minimum

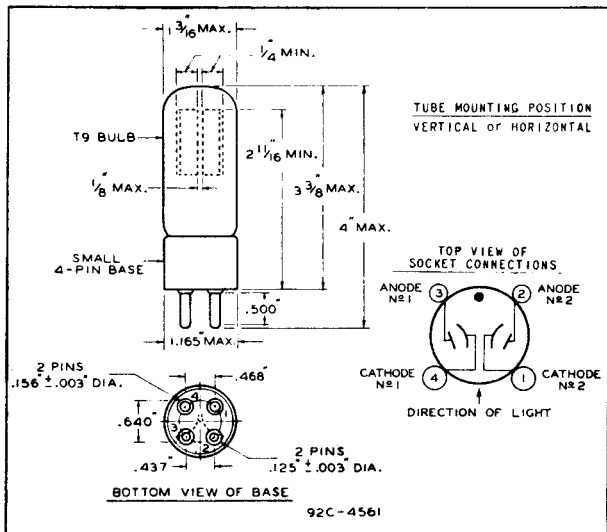
* Sensitivity is measured with a light input varied sinusoidally about a mean value from zero to a maximum of twice the mean. The sensitivity values shown are the ratios of the amplitude of variation in the current output to the amplitude of variation in the light input. The method of sensitivity measurement used is based on the approximation that sensitivity at 100 cycles is equal to sensitivity at 0 cycles. The measurements were made with a 90-volt supply, a 1-megohm load, and a mean light input of 0.015 lumen. The light source was a Mazda projection lamp operated at a filament color temperature of 2870 degrees Kelvin. The effect of interelectrode capacitance was made negligible.

** Gas Amplification Factor is given as a ratio of sensitivity at maximum anode voltage to sensitivity at a voltage sufficiently low (approximately 25 volts) to eliminate gas ionization effects.

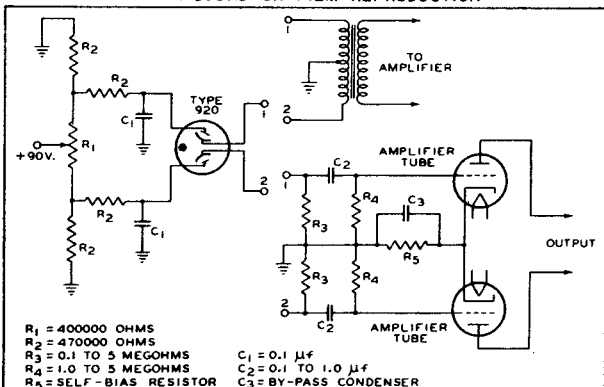
← indicates a change.



TWIN PHOTOTUBE



TYPICAL CIRCUIT FOR THE 920
WITH EITHER TRANSFORMER OR RESISTANCE COUPLING
FOR SOUND-ON-FILM REPRODUCTION



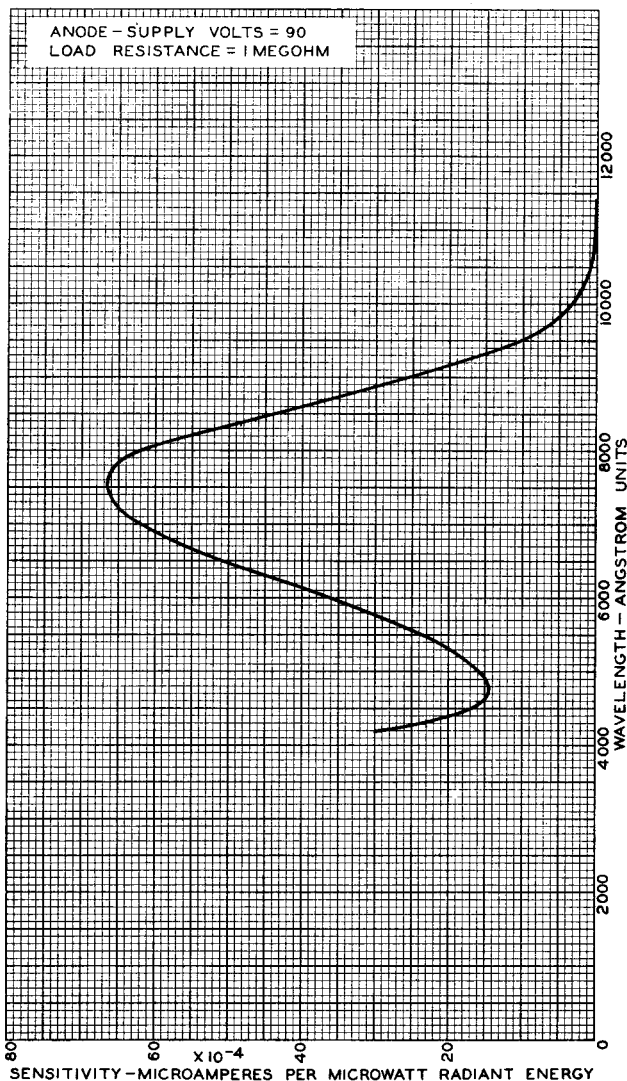
The license extended to the purchaser of tubes appears in the License Notice accompanying them. Information contained herein is furnished without assuming any obligations.



920

920

SPECTRAL SENSITIVITY CHARACTERISTICS



MAY 21, 1937

RCA RADIOTRON DIVISION
RCA MANUFACTURING COMPANY, INC.

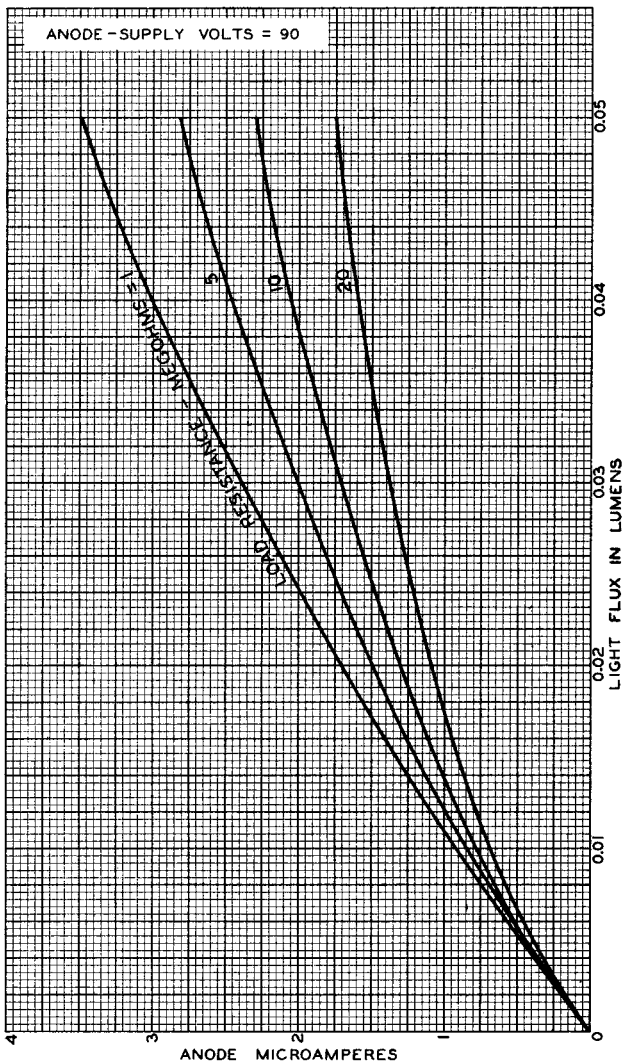
92C-4617RI



920

920

AVERAGE CHARACTERISTICS

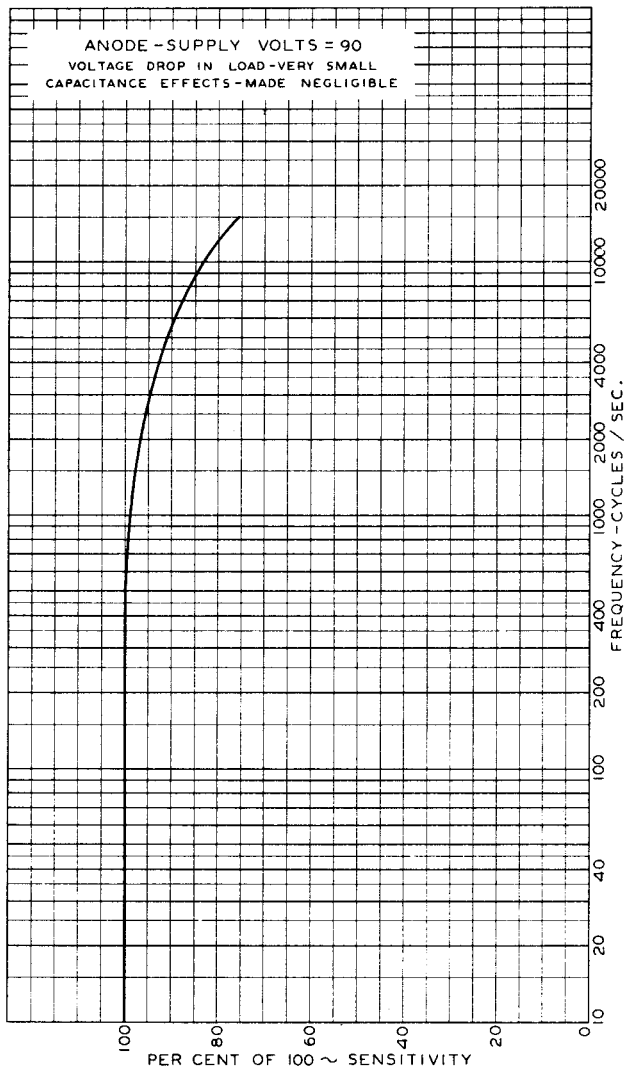


920



920

AVERAGE SENSITIVITY CHARACTERISTIC



NOV. 26, 1937

 RCA RADIOTRON DIVISION
 RCA MANUFACTURING COMPANY, INC.

92C-4823