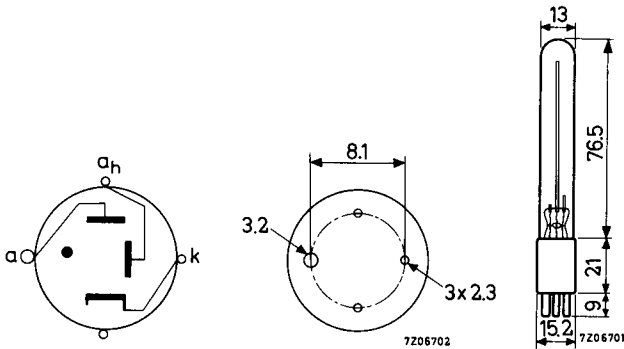


## INDICATOR TUBE

## DIMENSIONS AND CONNECTIONS

Dimensions in mm



## OPERATING CHARACTERISTICS

Ignition voltage of auxiliary anode  
 Auxiliary anode current  
 Maintaining voltage of main anode  
 Main anode current

$V_{ign}$	165 to 190 V
$I_{a_h}$	40 to 50 $\mu A$
$V_m$	150 to 170 V
$I_a$	max. 2 mA

# PHILIPS

Data handbook



Electronic  
components  
and materials

4662

**page**

1

2

**sheet**

1

FP

**date**

1970.04

2000.04.22