

# **TRACE ELLIOT**

## **SERVICE MANUAL NO. SM00012**

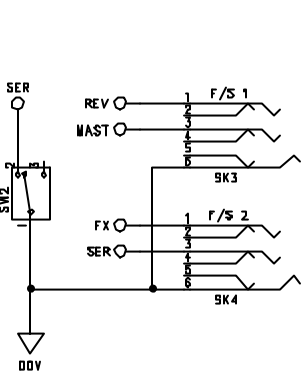
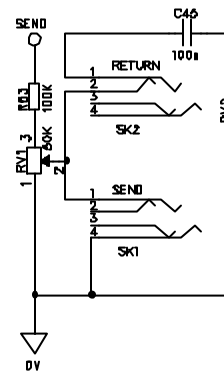
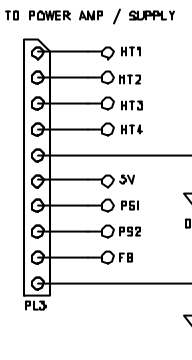
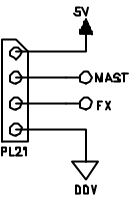
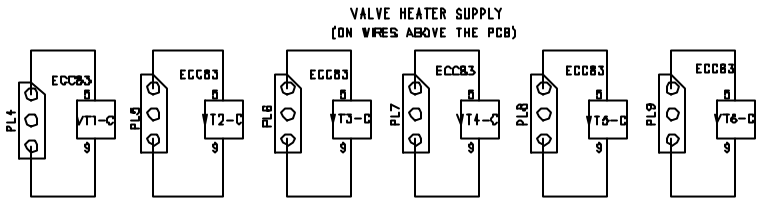
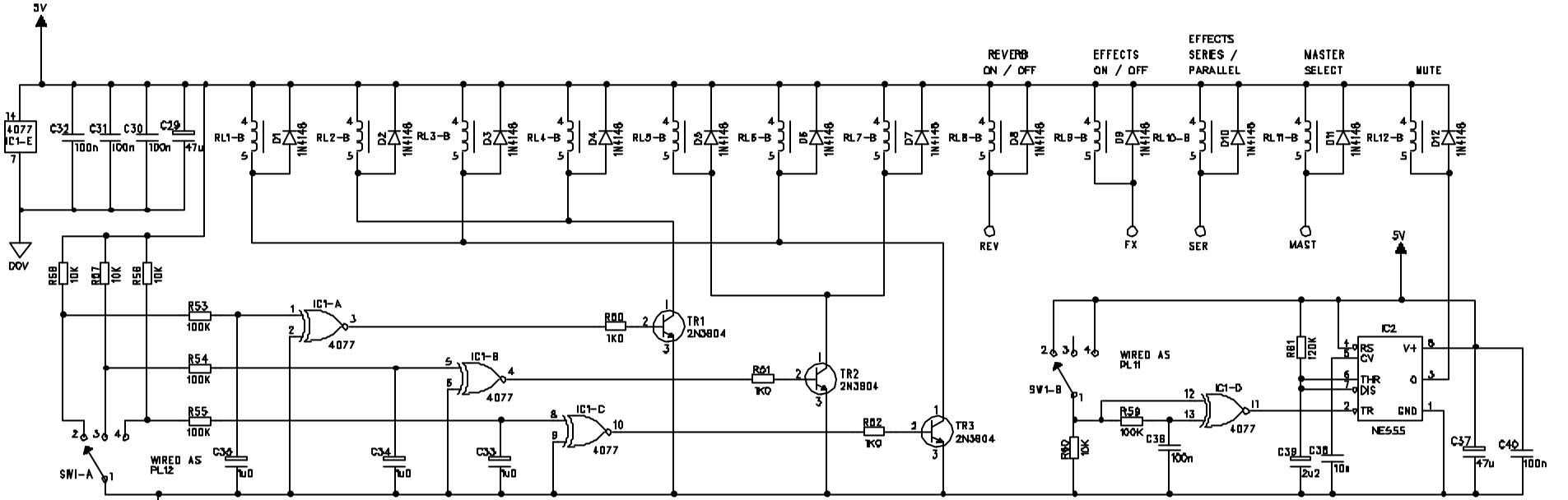
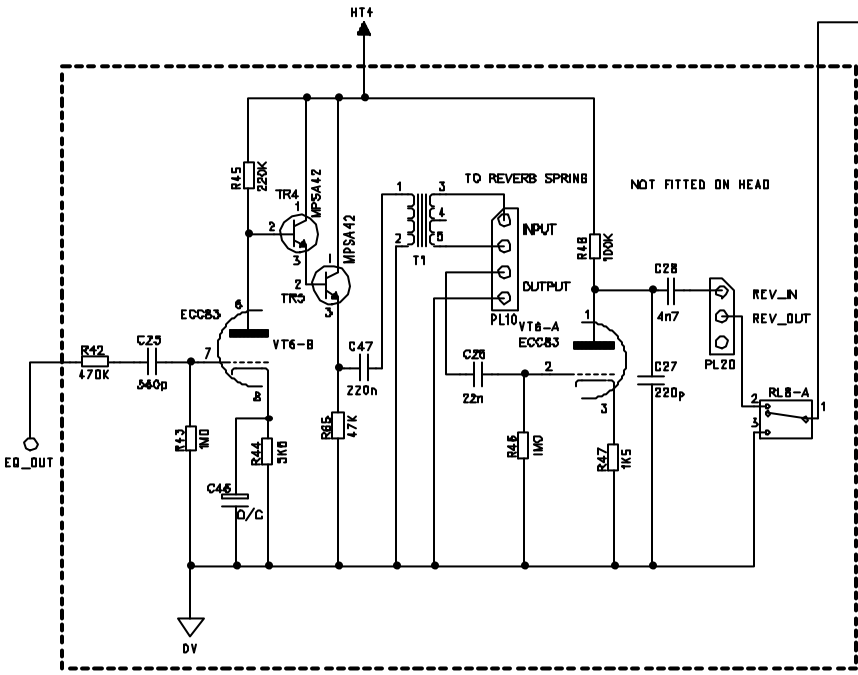
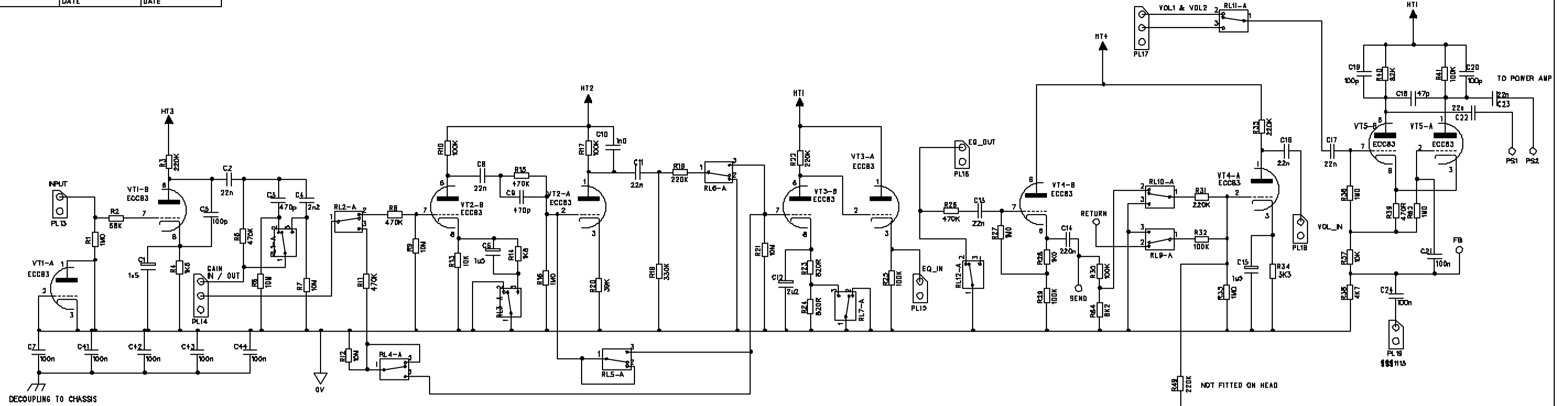
### **ISSUE 1**

**Date:** October 28, 1996  
**Product Code :** T3210/T3215  
**Model No :** Bonneville H100/C50  
**Technical File No :** TE00012

**Issued by:**

**Trace Elliot Limited.  
Blackwater Trading Estate  
The Causeway, Maldon  
Essex CM4 4GG.**

ISSUE CHANGE DATE	NOTE	ISSUE CHANGE DATE	NOTE	ISSUE CHANGE DATE	NOTE

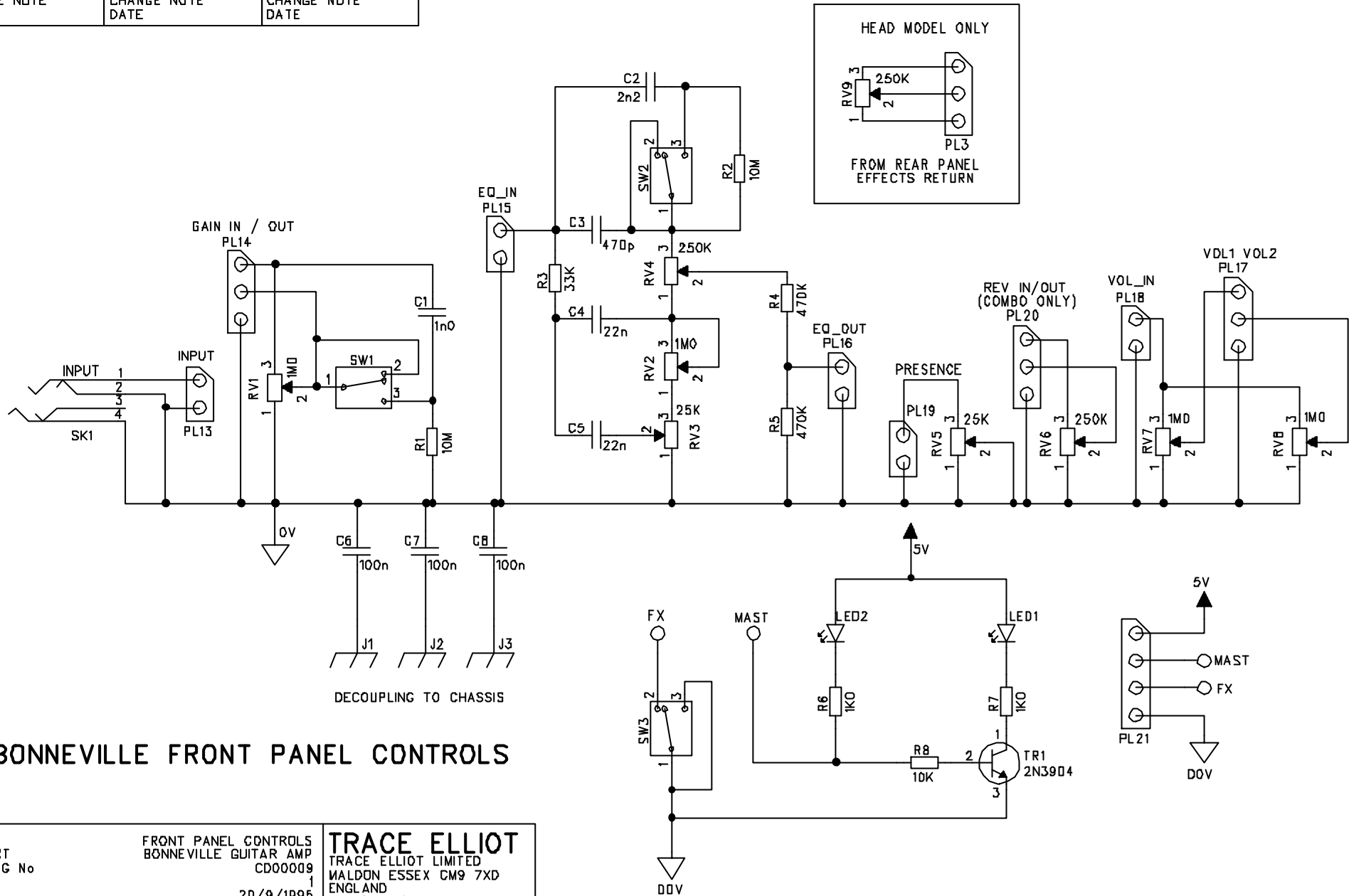


CIRCUIT DESIGNED BY P STEVENS  
(THE RENOWNED VALVE AMP GURU AND SIX STRING MAESTRO)

TITLE: MAIN PREAMP CIRCUIT  
PROJECT: BONNEVILLE GUITAR AMP  
DRAWING No: 0000006  
ISSUE: 3  
DATE: 17/11/1999  
DRAWN BY: J B RECKLESS

TRACE ELLIOT  
TRACE ELLIOT LIMITED  
MALDON ESSEX CM9 7XD  
TEL (01621) 861881  
FAX (01621) 861932

ISSUE CHANGE NOTE DATE	ISSUE CHANGE NOTE DATE	ISSUE CHANGE NOTE DATE
ISSUE CHANGE NOTE DATE	ISSUE CHANGE NOTE DATE	ISSUE CHANGE NOTE DATE



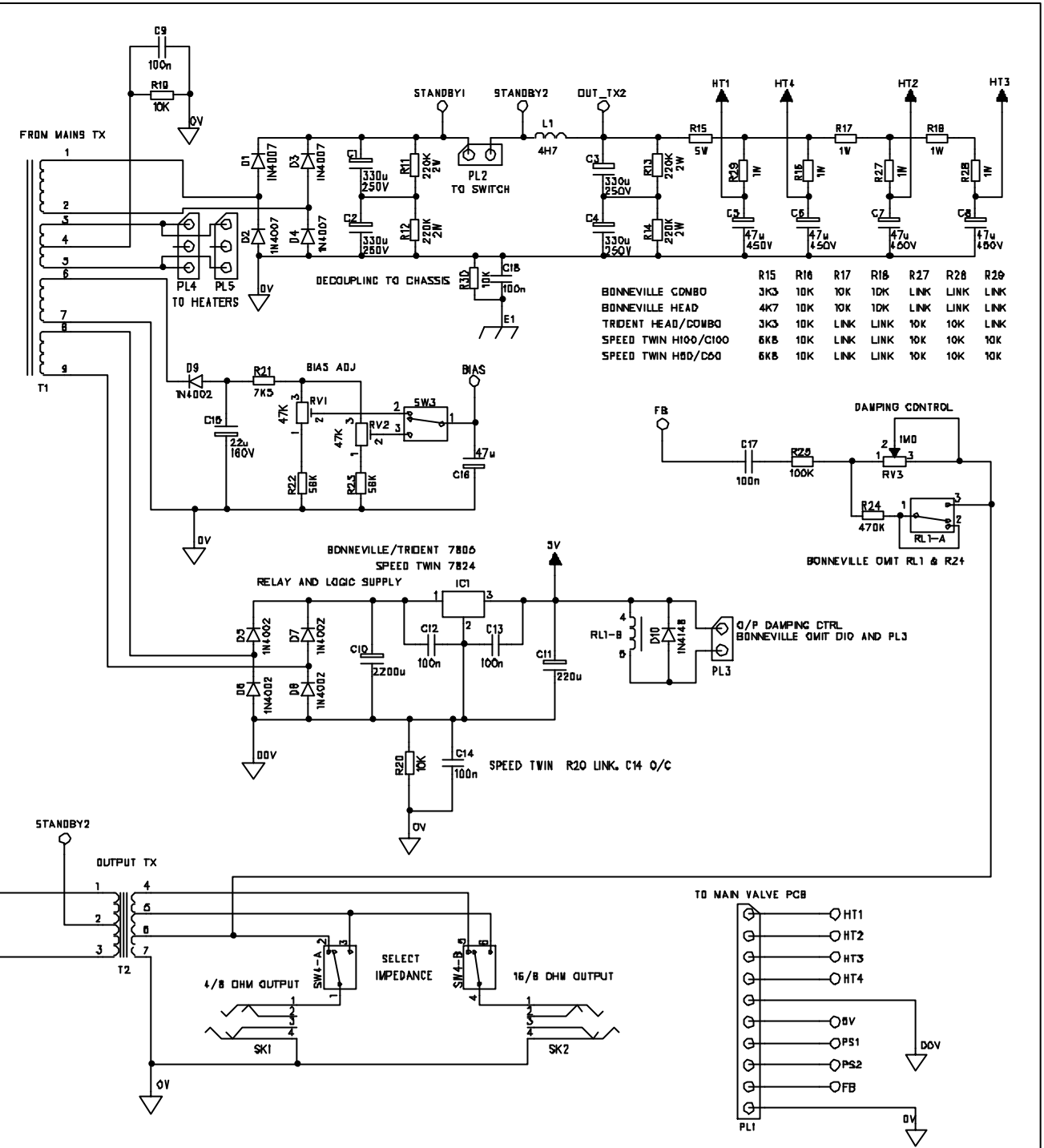
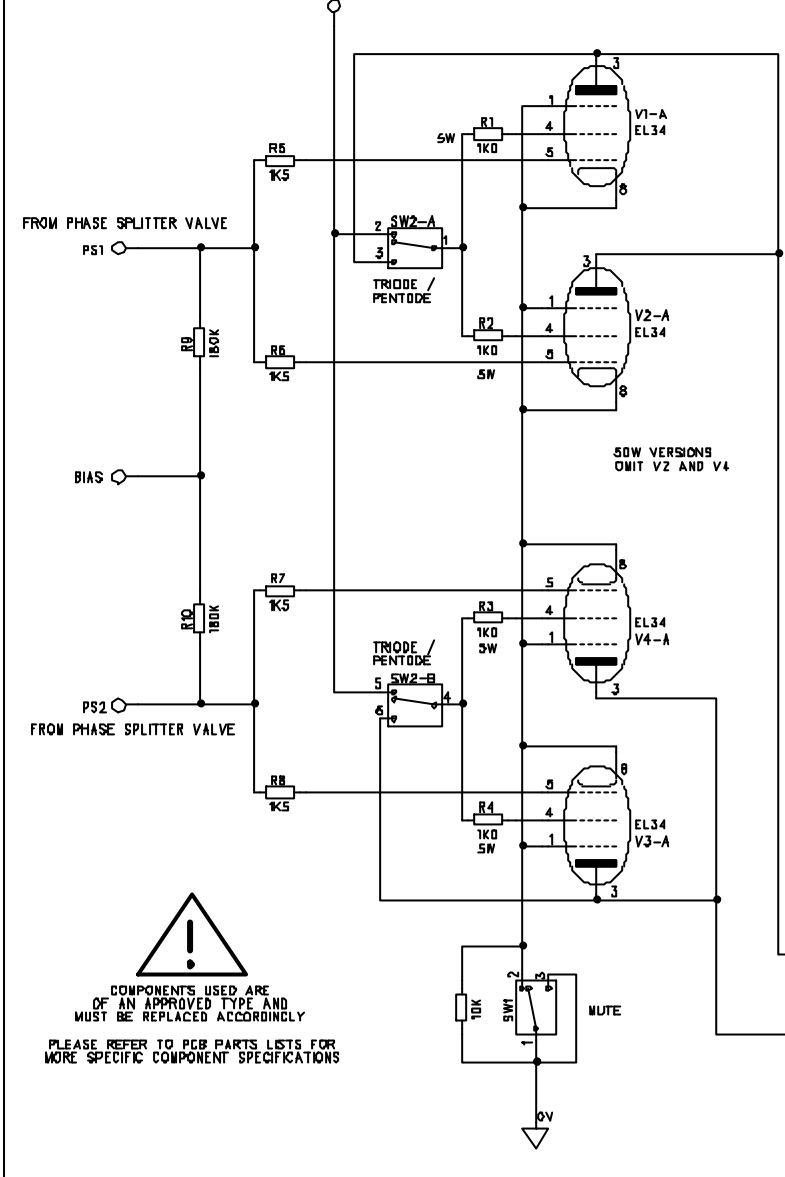
# BONNEVILLE FRONT PANEL CONTROLS

TITLE FRONT PANEL CONTROLS  
 PROJECT BONNEVILLE GUITAR AMP  
 DRAWING No CD00009  
 ISSUE 1  
 DATE 20/9/1995  
 DRAWN BY J B RECKLESS

**TRACE ELLIOT**  
 TRACE ELLIOT LIMITED  
 MALDON ESSEX CM9 7XD  
 ENGLAND  
 TEL (01621) 851851  
 FAX (01621) 851932

ISSUE CHANGE NOTE DATE	ISSUE CHANGE NOTE DATE	ISSUE CHANGE NOTE DATE
ISSUE CHANGE NOTE DATE	ISSUE CHANGE NOTE DATE	ISSUE CHANGE NOTE DATE

ISSUE CHANGE NOTE DATE	ISSUE CHANGE NOTE DATE	ISSUE CHANGE NOTE DATE
ISSUE CHANGE NOTE DATE	ISSUE CHANGE NOTE DATE	ISSUE CHANGE NOTE DATE



TITLE PROJECT DRAWING No ISSUE DATE DRAWN BY  
POWER AMP AND SUPPLY BONNEVILLE/TRIDENT/SPEEDTWIN C000010 2 11/2/1997 PAUL STEVENS  
**TRACE ELLIOT**  
TRACE ELLIOT LIMITED  
NALDON ESSEX CN8 7XD  
GREAT BRITAIN  
TEL (01621) 851851  
FAX (01621) 881932

# PARTS LIST FOR PC00012

## BONNEVILLE COMBO FRONT BOARD

Description	Part Code	Qty	Where Used
PCB	PC00012	1	
RESISTORS			
1K0 1/4W	72-RM1K	2	R6 R7
10K 1/4W	72-RM10K	1	R8
33K 1/4W	72-RM33K	1	R3
470K 1/4W	72-RM470K	2	R4 R5
10M 1/4W	72-RM10M	2	R1 R2
0 Ohm Link	72-RCZERO	6	
CAPACITORS			
470p 1KV ceramic	72-C470P-1KVCD	1	C3
1n0 1KV ceramic	72-C1000P-1KVCD	1	C1
2n2 1KV ceramic	72-C2200P-1KVCD	1	C2
22n 400V poly box	72-C22N-400VPR	2	C4 C5
100n 250V poly box	72-C100N-250VB	3	C6 C7 C8
SEMICONDUCTORS			
2N3904	72-T2N3904	1	TR1
3mm RED LED	72-LED-RED-3mm	2	LED1 LED2
CONNECTORS			
2 way 0.1"	72-HEAD-2W	5	PL13 PL15 PL16 PL18 PL19
3 way 0.1"	72-HEAD-3W2	3	PL14 PL17 PL20
4 way 0.1"	72-HEAD-4W	1	PL21
SOCKETS			
Mono Jack Socket	73-SKT-JCKBNBG	1	SK1
SWITCHES			
Mini Toggle SPDT vertical	73-SWT-M-TGL-PCB	3	SW1 SW2 SW3

POTENTIOMETERS			
25K LOG	73-POT-A25K	1	RV3
25K LIN	73-POT-B25K	1	RV5
250K LOG	73-POT-A250K	2	RV4 RV6
1M0 LOG	73-POT-A1M	4	RV1 RV2 RV7 RV8

Paul Stevens  
3 January 1996

# PARTS LIST FOR PC00011C

## BONNEVILLE COMBO MAIN PREAMP BOARD

Description	Part Code	Qty	Where Used
PCB	PC00011 (issue 3)	1	
RESISTORS			
820R 1/4W	72-RC820R-.25W	2	R23 R24
470R 1/4W	72-RM470R	1	R39
1K0 1/4W	72-RM1K	4	R28 R50 R51 R52
1K5 1/4W	72-RM1K5	2	R4 R47
1K8 1/4W	72-RM1K8	1	R14
3K3 1/4W	72-RM3K3	1	R34
4K7 1/4W	72-RM4K7	1	R38
5K6 1/4W	72-RM5K6	1	R44
8K2 1/4W	72-RM8K2	1	R64
10K 1/4W	72-RM10K	6	R13 R37 R56 R57 R58 R60
39K 1/4W	72-RM39K	1	R20
68K 1/4W	72-RM68K	1	R2
100K 1/4W	72-RM100K	7	R30 R32 R53 R54 R55 R59 R63
120K 1/4W	72-RM120K	1	R61
220K 1/4W	72-RM220K	3	R19 R31 R49
330K 1/4W	72-RM330K	1	R18
470K 1/4W	72-RM470K	6	R5 R8 R11 R15 R26 R42
1M0 1/4W	72-RM1M	8	R1 R16 R27 R33 R36 R43 R46 R62
10M 1/4W	72-RM10M	5	R6 R7 R9 R12 R21
47K 1W	72-RM47K-1WATT	1	R65
82K 1W	72-RM82K-1WATT	1	R40
100K 1W	72-RM100K-1WATT	6	R10 R17 R25 R29 R41 R48
220K 1W	72-RM220K-1WATT	4	R3 R22 R35 R45
SEMICONDUCTORS			
1N4148	72-D-IN4148	8	D1 D2 D5 D8 D9 D10 D11 D12
2N3904	72-T2N3904	3	TR1 TR2 TR3
MPSA42	72-TMPSA42	2	TR4 TR5

CAPACITORS			
47p 500V ceramic	72-C47P-500VCD	1	C18
100p 1KV ceramic	72-C100P-1KVCD	3	C5 C19 C20
220p 1KV ceramic	72-C220P-1KVCD	1	C27
470p 1KV ceramic	72-C470P-1KVCD	2	C3 C9
560p 100V ceramic	72-C560P-100VCD	1	C25
1n0 1KV ceramic	72-C1000P-1KVCD	1	C10
2n2 1KV ceramic	72-C2200P-1KVCD	1	C4
4n7 1KV ceramic	72-C4700P-1KVCD	1	C28
1u5 35V tant	72-C1.5-35VT	3	C1 C6 C15
2u2 35V tant	72-C2.2-35VT	1	C12
1u0 63V elect radial	72-C1-63VER	3	C33 C34 C35
2u2 63V elect radial	72-C2.2-63VER	1	C39
47u 63V elect radial	72-C47-63VER	2	C29 C37
10n 100V poly box	72-C10N-100VP	1	C38
22n 400V poly box	72-C22N-400VPR	9	C2 C8 C11 C13 C16 C17 C22 23 C26
100n 250V poly box	72-C100N-250VB	13	C7 C21 C24 C30 C31 C32 C36 C40 C41 C42 C43 C44 C45
220n 250V poly box 0.4"	72-C220N-25-VP	2	C14 C47
I.C.S			
4077 Quad EXNOR	72-IC-4077BT	1	IC1
NE555 Timer	72-IC-M7555NE	1	IC2
RELAYS			
5V SPCO G5V-1	73-RELAY-5V-SPCO	12	RL1-12
CONNECTORS			
2 way 0.1"	72-HEAD-2W	5	PL13 PL15 PL16 PL18 PL19
3 way 0.1"	72-HEAD-3W2	9	PL4 PL5 PL6 PL7 PL8 PL9 PL14 PL17 PL20
4 way 0.1"	72-HEAD-4W	4	PL10 PL11 PL12 PL21
10 way 0.1"	72-HEAD-10W	1	PL3
TRANSFORMERS			
12V-0-12V @0.05A	73-TRAN-BONTRI	1	T1



SOCKETS			
1/4" MONO JACK PCB	73-SKT-JCKBNBG	2	SK1 SK2
1/4" STEREO JACK PCB	73-SKT-JCKBBBG	2	SK3 SK4
SWITCHES			
Mini Toggle SPDT vertical	73-SWT-M-TGL-PCB	1	SW2
POTENTIOMETERS			
B50K	73-POT-50KB	1	RV1
250K	73-POT-A250K	1	RV2
VALVE BASES			
B9A PCB valve base	73-VAL-SOCKET	6	VT1-VT6
WIRE LINKS			
LINK A	45-WIR-7/02-BLK	1	A-A ~70mm

Paul Stevens  
25 SEPTEMBER 1995

# PARTS LIST FOR PC00013BC BONNEVILLE COMBO POWER BOARD

ISSUE 3 (23/9/96) PS

Description	Part Code	Qty	Where Used
PCB	PC00013	1	
RESISTORS			
0 Ohm Link	72-RCZERO	3	R27 R28 R29
1K5 1/4W	72-RM1K5	4	R5 R6 R7 R8
10K 1/4W	72-RM10K	3	R19 R20 R30
12K 1/4W	72-RM12K	1	R21
56K 1/4W	72-RM56K	3	R22 R23 R24
100K 1/4W	72-RM100K	1	R25
180K 1/4W	72-RM180K	2	R9 R10
10K 1W	72-RM10K-1WATT	4	R16 R17 R18 and across SW1
220K 2W	72-RC220K-2W	4	R11 R12 R13 R14
1K 4W	72-RWW1K-6W	4	R1 R2 R3 R4
3K3 4W	72-RWW3K3-4W	1	R15
DIODES			
1N4002	72-D-IN4002	5	D5 D6 D7 D8 D9
1N4007	72-D-IN4007	4	D1 D2 D3 D4
1N4148	72-D-IN4148	1	D10
CAPACITORS			
100n 250V poly box	72-C100N-250VB	6	C9 C12 C13 C14 C17 C18
22u 160V elect radial	72-C22-160VER	1	C15
47u 63V elect radial	72-C47-63VER	1	C16
220u 25V elect radial	72-C220-25VER	1	C11
2200u 16V elect radial	72-C2200-16VER	1	C10
47u 450V elect radial	73-CAP47450V	4	C5 C6 C7 C8
330u 250V elect radial	73-CAP-330250V	4	C1 C2 C3 C4
I.C.S			
7805 5V REGULATOR	72-7805-REG	1	IC1
CONNECTORS			
2 way 0.1"	72-HEAD-2W	2	PL2 PL3

3 way 0.1"	72-HEAD-3W2	2	PL4 PL5
10 way 0.1"	72-HEAD-10W	1	PL1
7 way 0.2"	72-HEAD-7W-2	1	T2
9 way 0.2"	72-HEAD-9W-2	1	T1
SOCKETS			
1/4" MONO JACK PCB	73-SKT-JCKBNBG	2	SK1 SK2
SWITCHES			
Mini Toggle SPDT vertical	73-SWT-M-TGL-PCB	2	SW1 SW3
Large slide DPDT horiz	73-SWT-SLIDER-DP	2	SW2 SW4
POTENTIOMETERS			
47K vertical trimmer	72-PRESET-47K-V	2	RV1 RV2
1M0	73-POT-A1M	1	RV3
VALVE BASES			
Octal PCB valve base	73-VAL-SOCKET-2	2	V1 V3