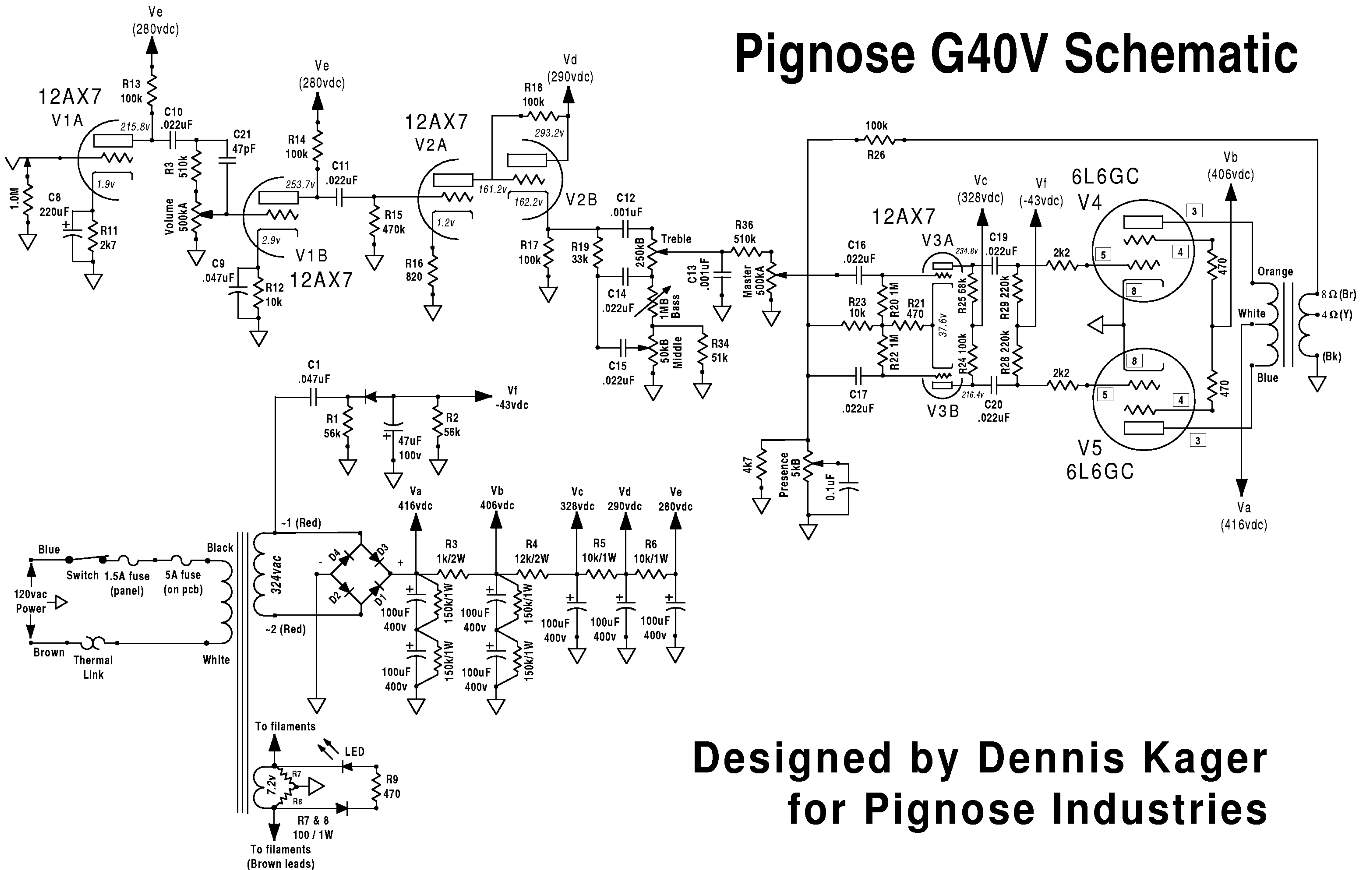


Pignose G40V Schematic



Designed by Dennis Kager
for Pignose Industries