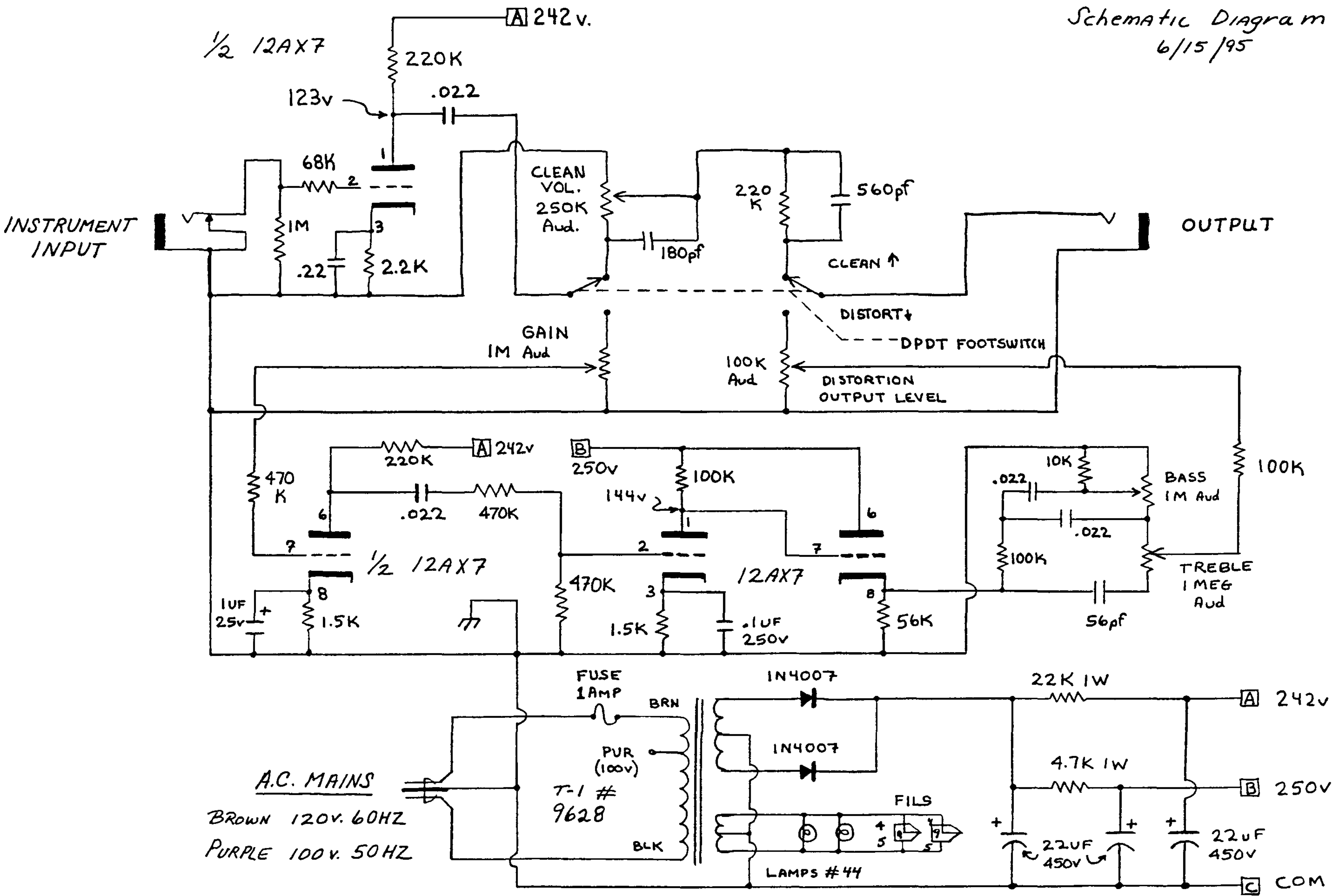


MATCHLESS HOT BOX
Schematic Diagram
6/15/95



A.C. MAINS
BROWN 120V. 60HZ
PURPLE 100V. 50HZ

FUSE 1AMP
BRN
PUR (100V)
T-1 # 9628
BLK

IN4007
IN4007
FILS
LAMPS #44
22K 1W
4.7K 1W
22uF 450V
22uF 450V
A 242V
B 250V
C COM