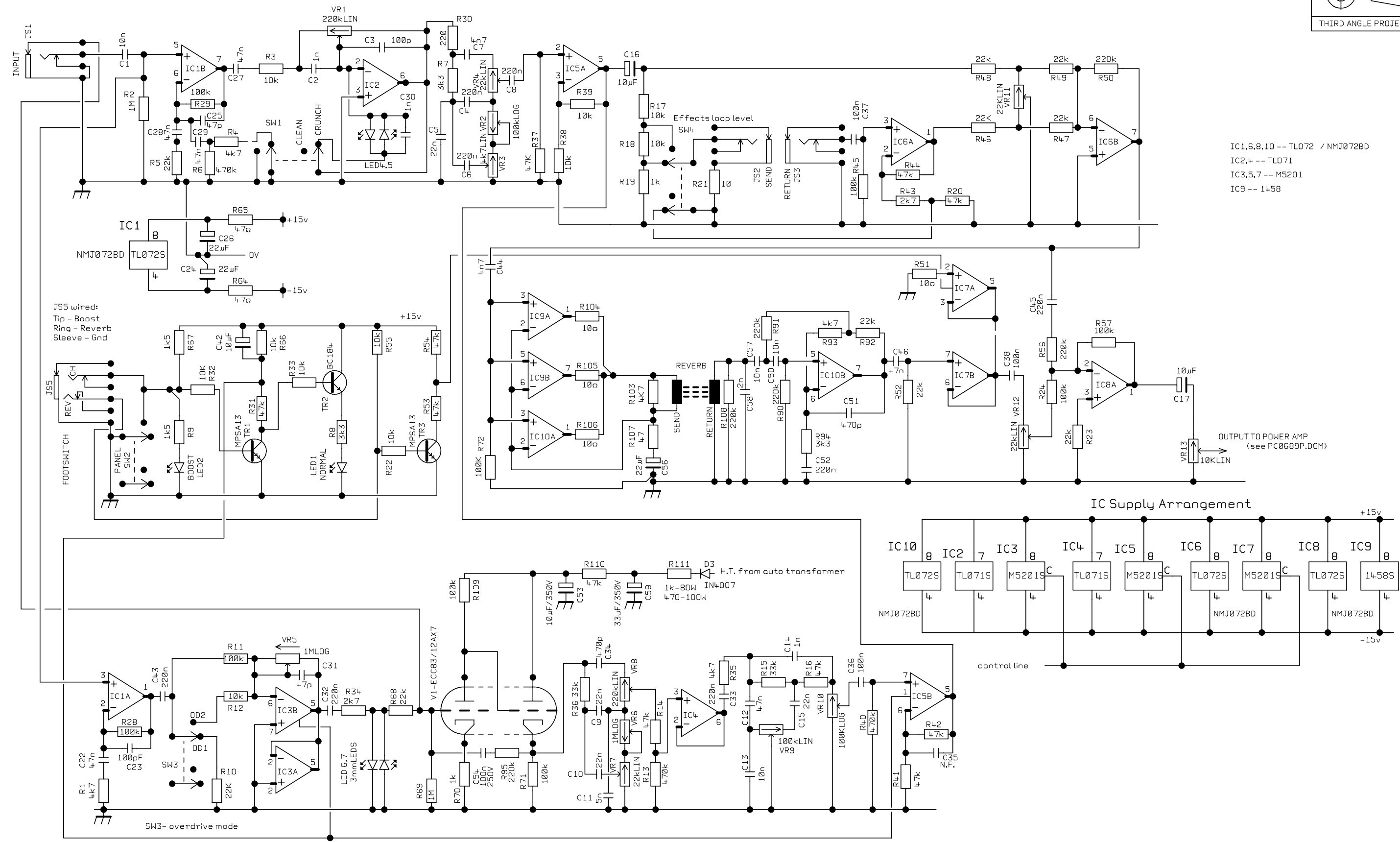
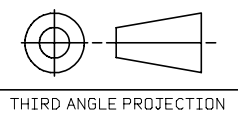


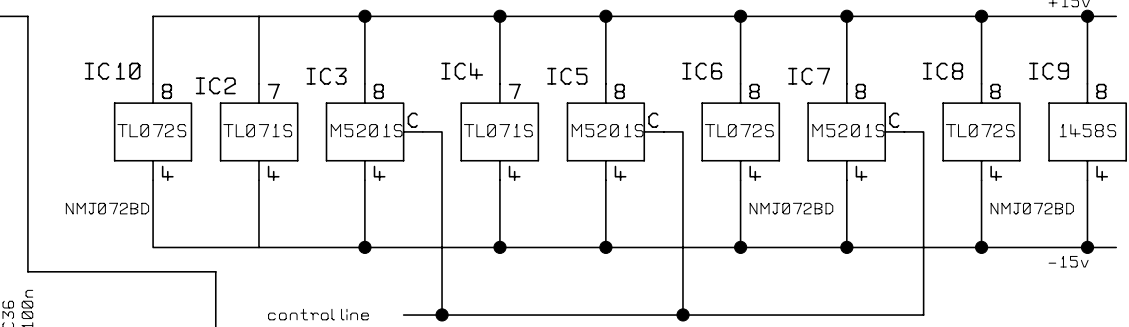
DWG.No. PC0689.DGM



IC1,6,8,10 -- TL072 / NMJ072BD
 IC2,4 -- TL071
 IC3,5,7 -- M5201
 IC9 -- 1458

OUTPUT TO POWER AMP
 (see PC0689P.DGM)

IC Supply Arrangement



UNSPECIFIED HOLE DATA

A	H
B	J
C	K
D	L
E	M
F	N
G	P

MATERIAL

MATERIAL THICKNESS
INTERNAL BEND RADII
EXTERNAL B/A
BEND DIE
DRAWN S.G
CHECKED
APPROVED

DIMENSIONS IN

TOLERANCE (UNLESS OTHERWISE STATED)
DIMENSIONAL
CENTRES
ANGULAR
MODEL 8080/8100 VALVE STATE
DATE 11/06/91
DATE
DATE

Marshall

COPYRIGHT EXISTS ON THIS DOCUMENT. IT MUST NOT BE USED FOR ANY PURPOSE THAN THAT FOR WHICH IT IS SUPPLIED AND MUST NOT BE COPIED OR IN PART) WITHOUT WRITTEN PERMISSION FROM
 © JIM MARSHALL (PRODUCTS) LTD.
 DENBIGH ROAD, BLETCHLEY, MILTON KEYNES, MK1 1DQ.
 TEL. (0900)3 75411 FAX (0900)3 76118

TITLE

CCT DIAGRAM	
DWG.No PC0689.DGM	ISSUE 5

6

6

5

5

4

4

3

3

2

2

1

1